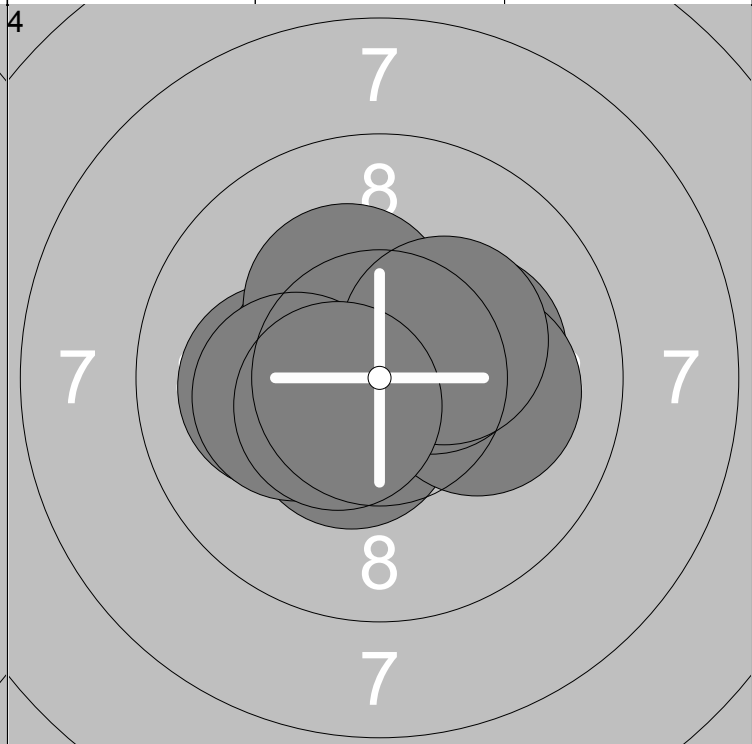
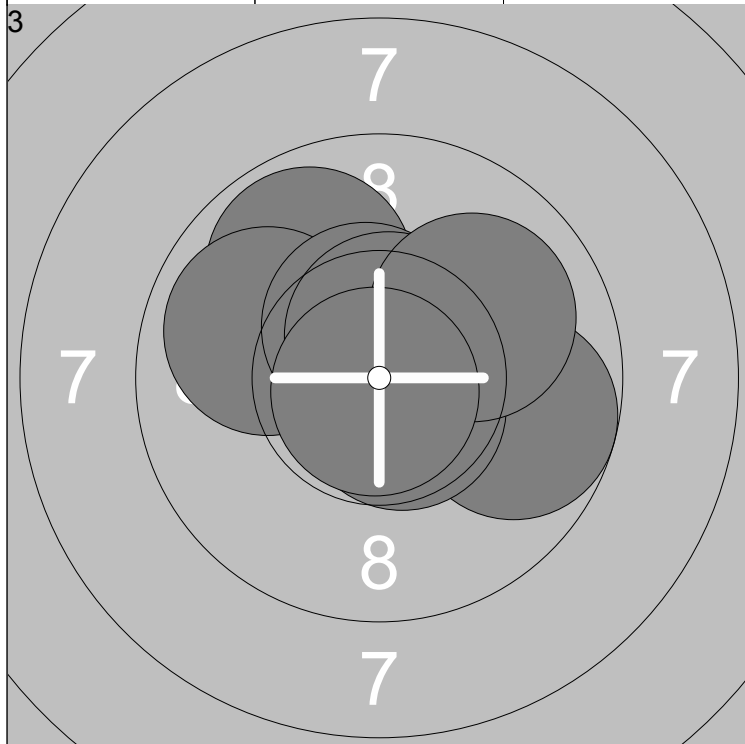


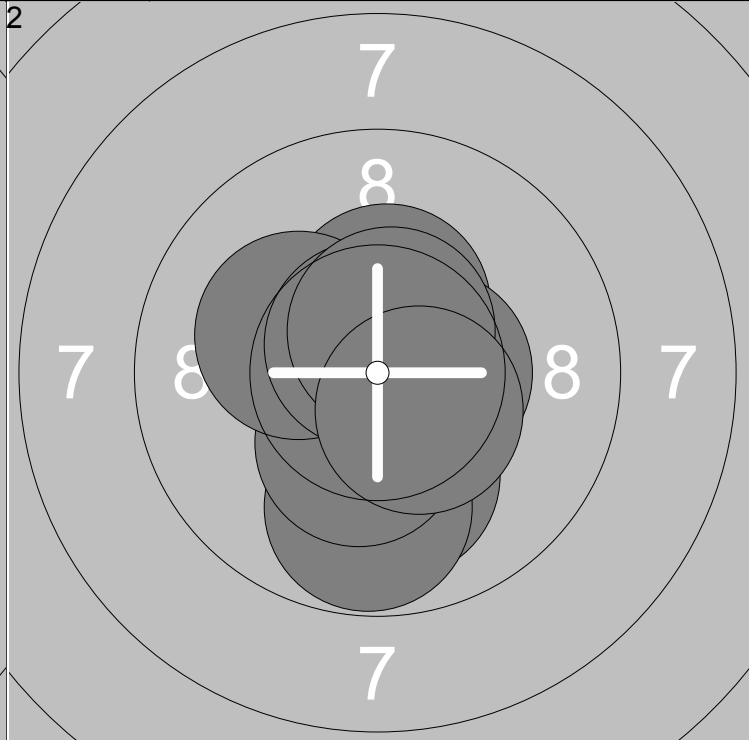
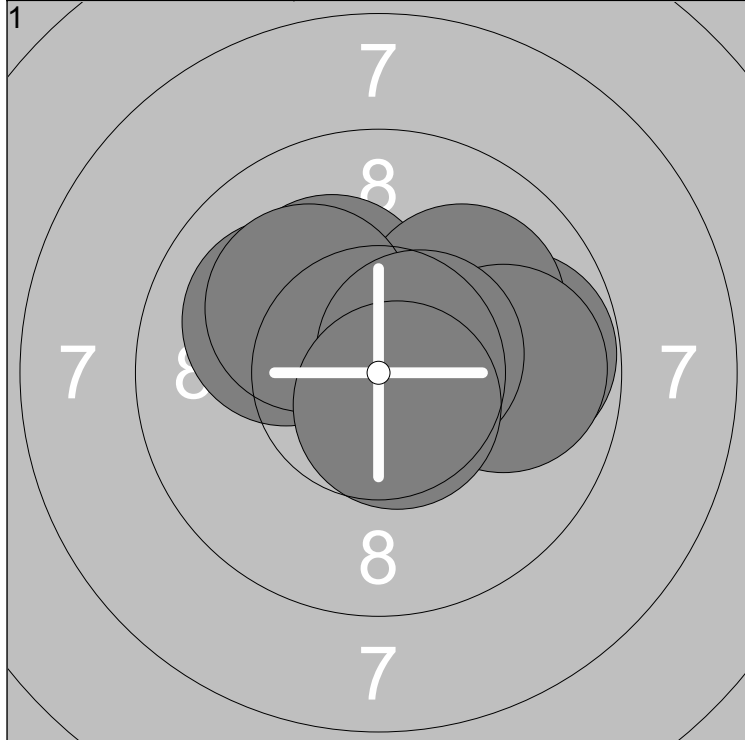
1: 10.0 ↓	6: 9.8 →	Series	100.8
2: 10.5x ↗	7: 10.5x →		
3: 10.2x →	8: 9.9 →	Series	100.8
4: 8.8 ↖	9: 10.7x ↘		
5: 10.1 ↗	10: 10.3x ←		

1: 10.4x ↗	6: 9.9 ↘	Series	102.8
2: 10.1 ↘	7: 10.2x →		
3: 10.3x ↗	8: 10.0 →	Series	203.6
4: 10.3x ←	9: 10.5x ↗		
5: 10.4x ↗	10: 10.7x ↗		



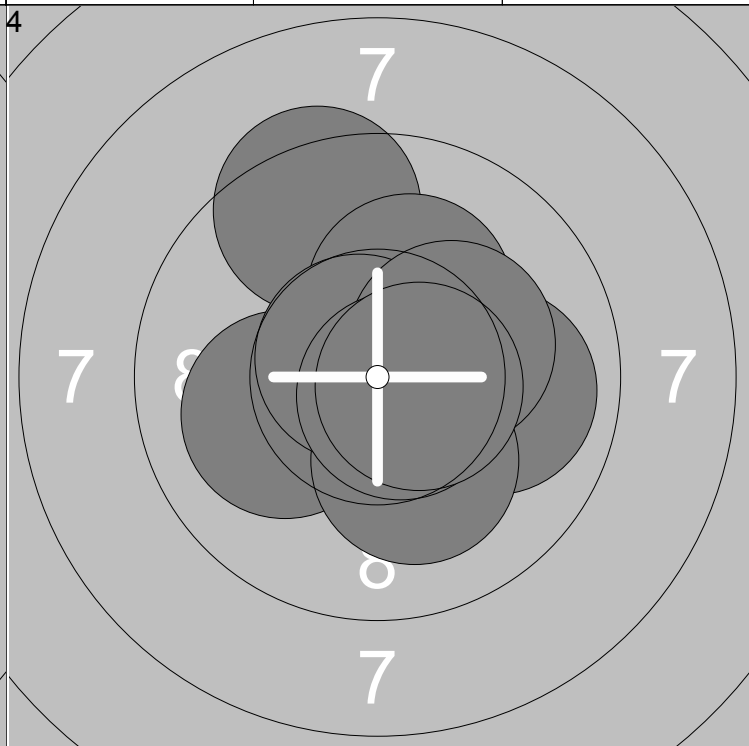
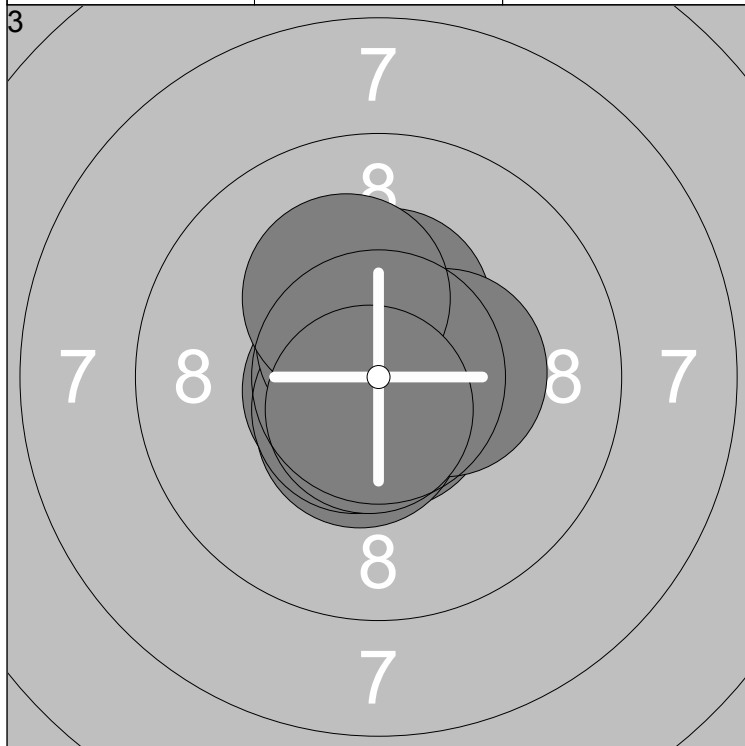
1: 9.7 →	6: 10.9x ↓	Series	103.6
2: 9.8 ↗	7: 10.6x ↗		
3: 10.8x →	8: 10.6x ↘	Series	307.2
4: 9.9 ↖	9: 10.0 ↗		
5: 10.5x ↗	10: 10.8x ↓		

1: 10.1 ←	6: 10.4x ↗	Series	103.1
2: 10.5x ↘	7: 10.3x ↗		
3: 10.5x ←	8: 10.3x ↗	Series	410.3
4: 10.2x →	9: 10.2x ←		
5: 10.1 →	10: 10.5x ↘		



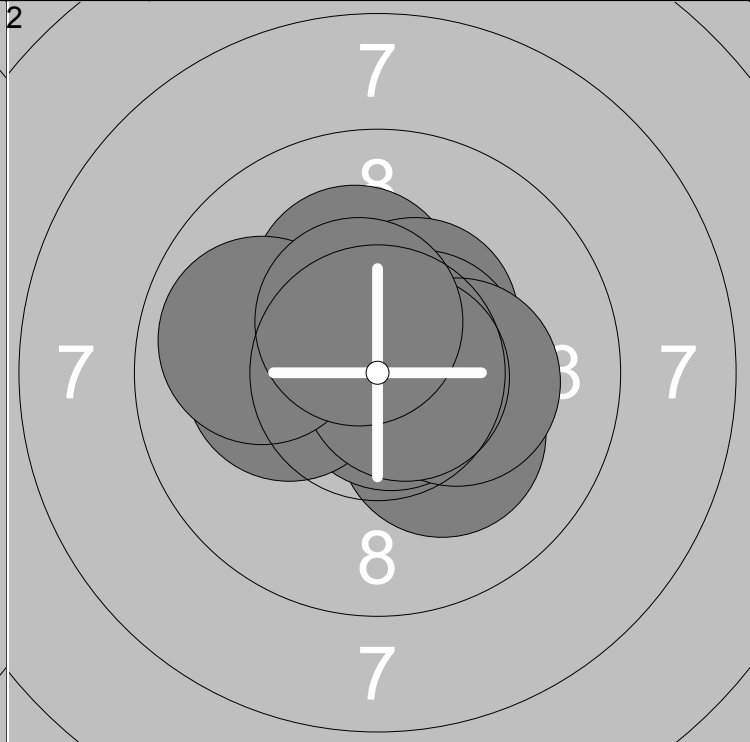
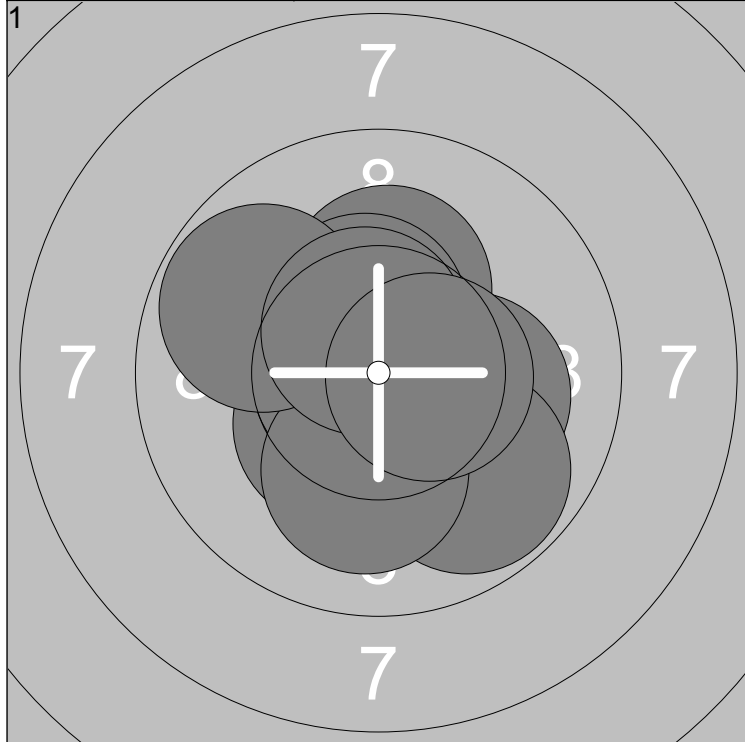
1: 9.8 →	6: 10.8x →	Series	102.7
2: 10.1 ↖	7: 9.9 →		
3: 10.2x ↗	8: 10.1 ↗	102.7	
4: 10.6x ↗	9: 10.6x ↗		
5: 10.0 ↗	10: 10.6x ↓		

1: 10.0 ↓	6: 10.6x →	Series	103.6
2: 10.4x ↑	7: 10.7x ↑		
3: 9.8 ↓	8: 10.5x →	206.3	
4: 10.3x ↓	9: 10.6x ↑		
5: 10.2x ↖	10: 10.5x ↓		



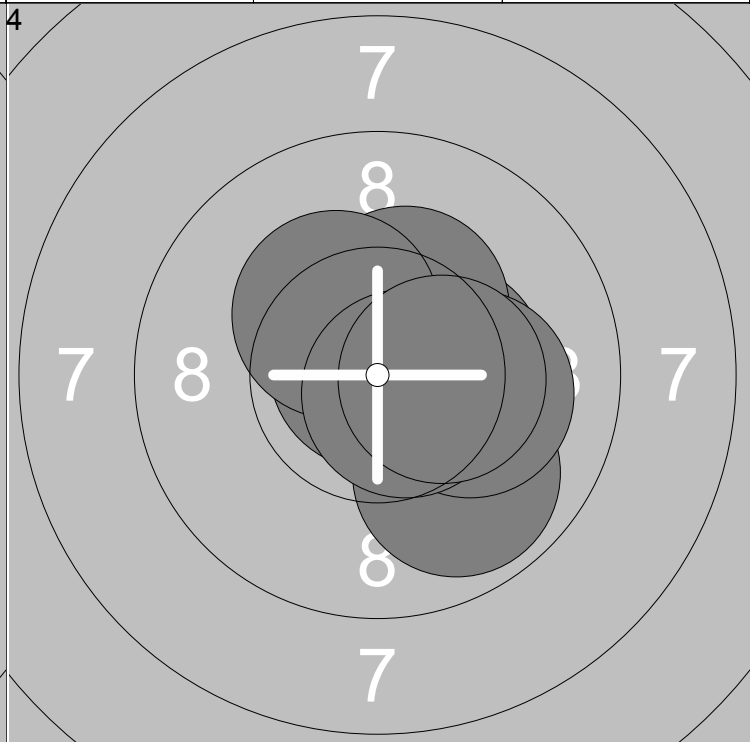
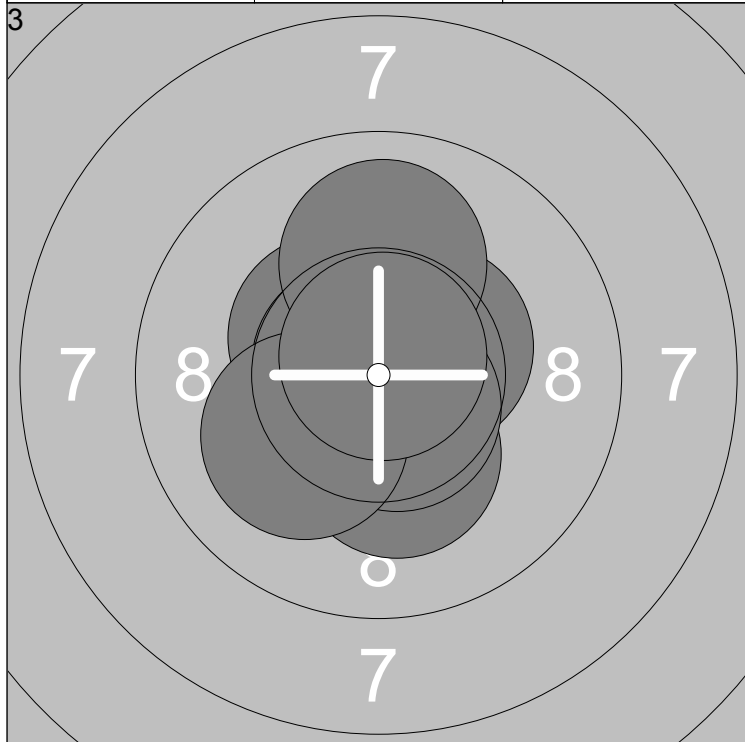
1: 10.7x ↓	6: 10.7x ↗	Series	105.4
2: 10.5x ↓	7: 10.6x ↗		
3: 10.6x ↖	8: 10.4x →	311.7	
4: 10.6x ↖	9: 10.2x ↗		
5: 10.4x ↑	10: 10.7x ↓		

1: 10.5x ↓	6: 10.1 ↓	Series	102.5
2: 10.1 ↖	7: 10.7x ↗		
3: 10.0 →	8: 10.2x →	414.2	
4: 9.4 ↑	9: 10.7x ↓		
5: 10.2x ↗	10: 10.6x →		



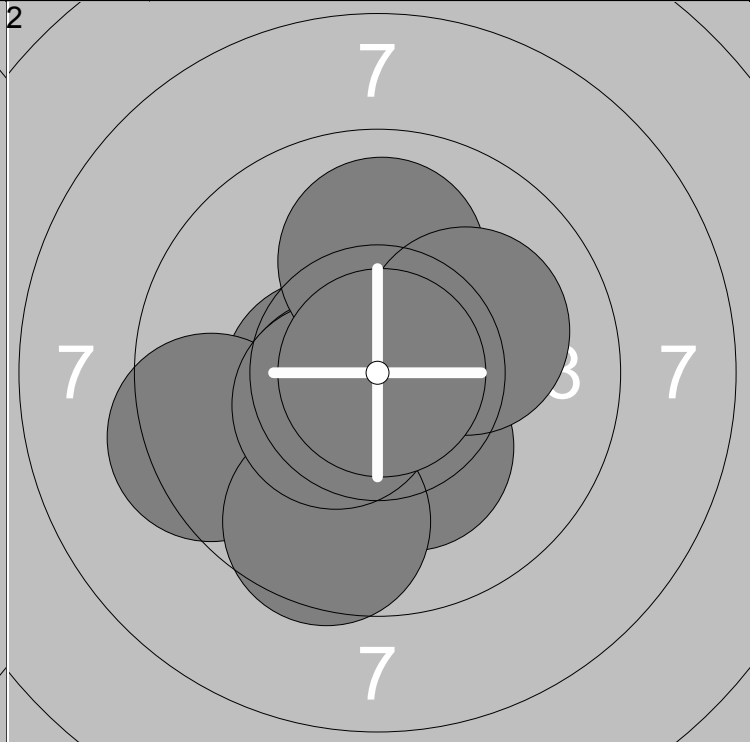
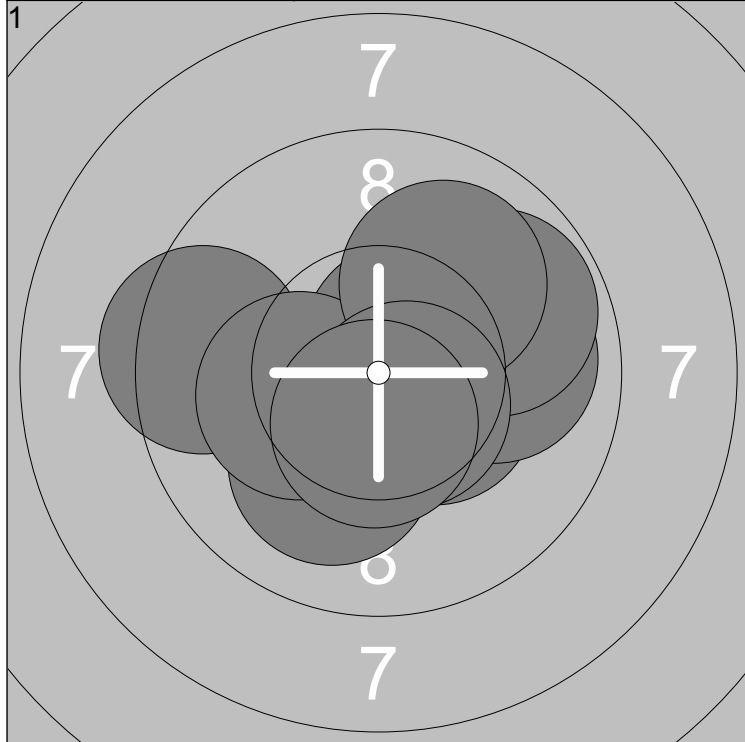
1: 10.1 →	6: 10.8x ←	Series	102.8
2: 10.2x ↑	7: 10.1 ↓		
3: 9.8 ↓	8: 9.8 ↖	102.8	
4: 10.5x ↑	9: 10.6x ↑		
5: 10.4x ↙	10: 10.5x →		

1: 10.2x ↘	6: 10.6x ↗	Series	103.8
2: 10.8x ↘	7: 10.3x →		
3: 10.2x ←	8: 10.7x →	206.6	
4: 10.2x ↑	9: 9.9 ←		
5: 10.4x ↗	10: 10.5x ↑		



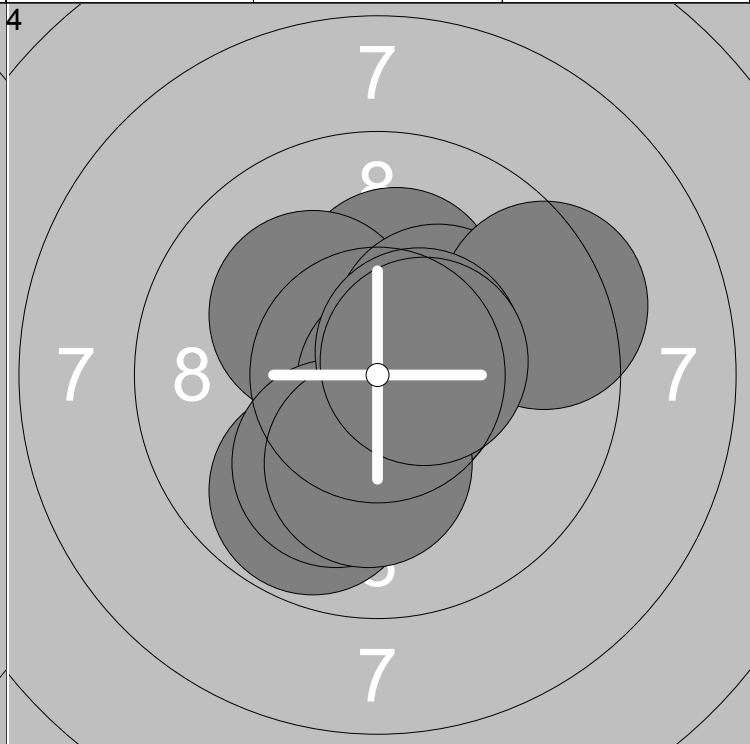
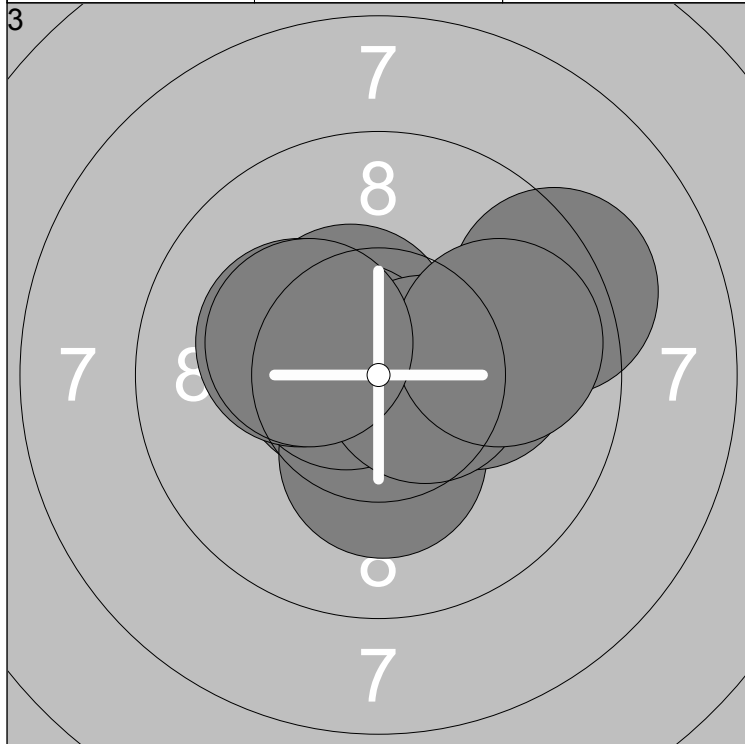
1: 10.4x ↗	6: 10.7x ↖	Series	93.8
2: 10.5x ↙	7: 10.0 ↑		
3: 10.3x ↓	8: 10.1 ↙	300.4	
4: 10.6x ↘	9: 0.0		
5: 10.4x ↗	10: 10.8x ↑		

1: 9.9 ↘	6: 10.9x ↑	Series	104.2
2: 10.6x ↑	7: 10.1 →		
3: 10.4x →	8: 10.3x ↗	404.6	
4: 10.6x ↑	9: 10.7x ↘		
5: 10.3x ↗	10: 10.4x →		



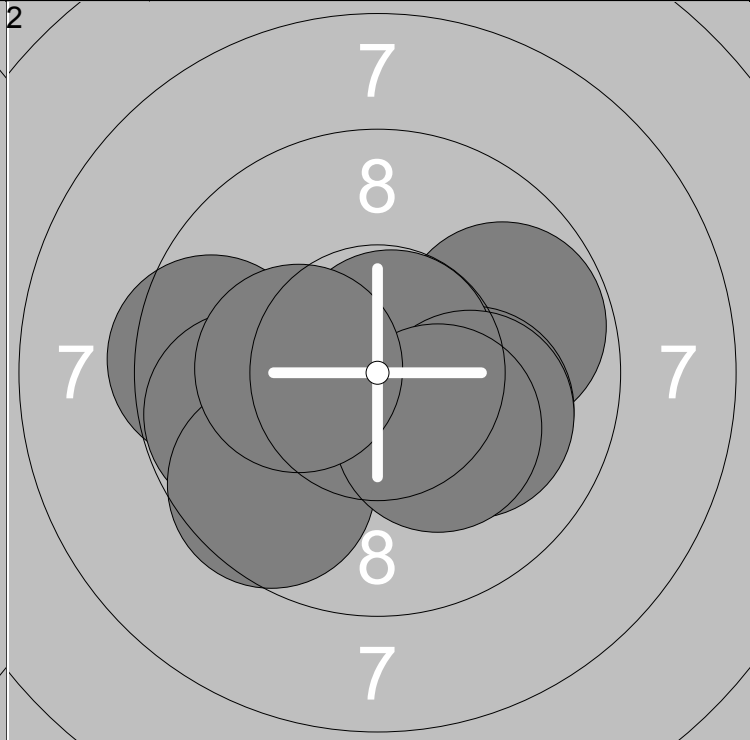
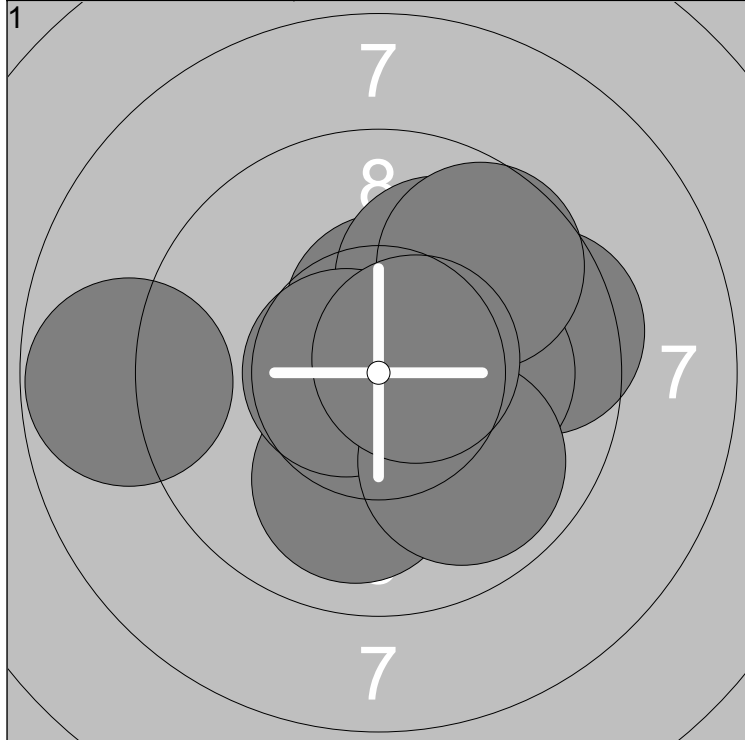
1: 10.6x ↗	6: 10.1 ↓	Series	101.6
2: 10.4x ↘	7: 10.2x ←		
3: 10.0 →	8: 10.0 ↗	Series	101.6
4: 9.4 ←	9: 10.6x ↘		
5: 9.8 ↗	10: 10.5x ↓		

1: 10.5x ←	6: 9.6 ↓	Series	102.5
2: 10.6x ↓	7: 10.5x ←		
3: 9.4 ←	8: 10.0 ↑	Series	204.1
4: 10.6x ↙	9: 10.1 ↗		
5: 10.3x ↓	10: 10.9x →		



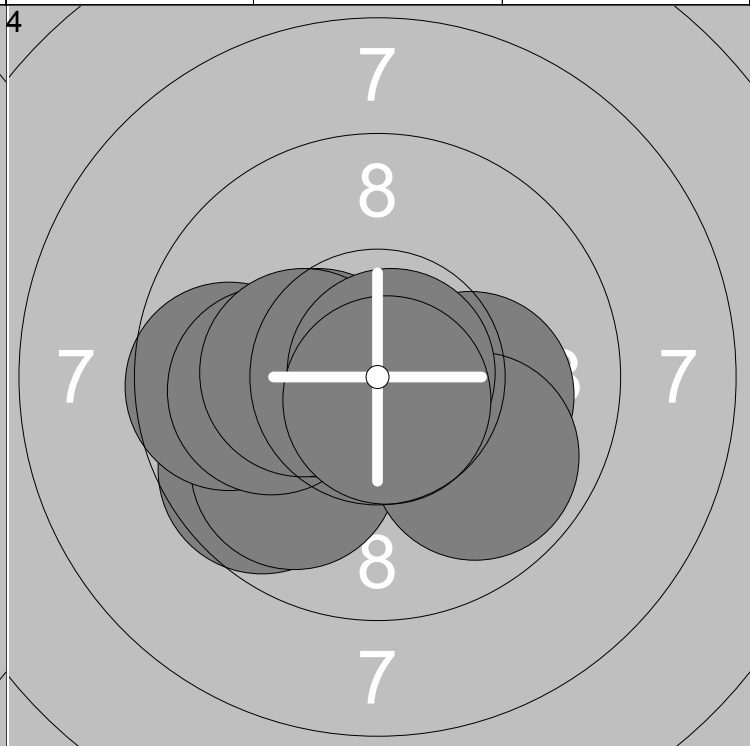
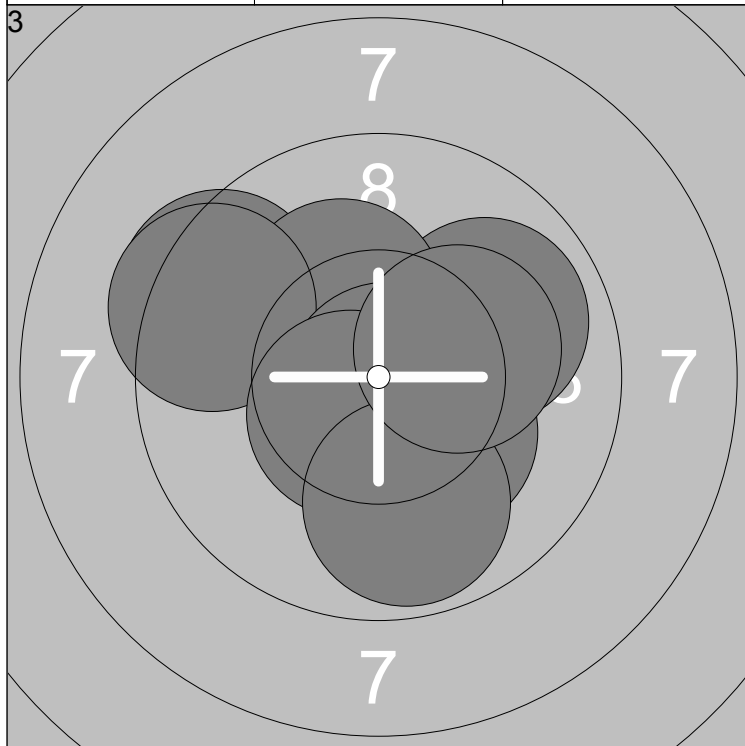
1: 10.6x ←	6: 9.3 ↗	Series	102.6
2: 10.3x ↓	7: 10.2x ←		
3: 10.5x ↗	8: 10.6x →	Series	306.7
4: 10.2x →	9: 9.9 →		
5: 10.7x ←	10: 10.3x ←		

1: 10.2x ↑	6: 9.4 ↗	Series	101.9
2: 10.2x ↖	7: 10.1 ↓		
3: 9.8 ↓	8: 10.5x ↗	Series	408.6
4: 10.7x ↘	9: 10.2x ↓		
5: 10.3x ↗	10: 10.5x →		



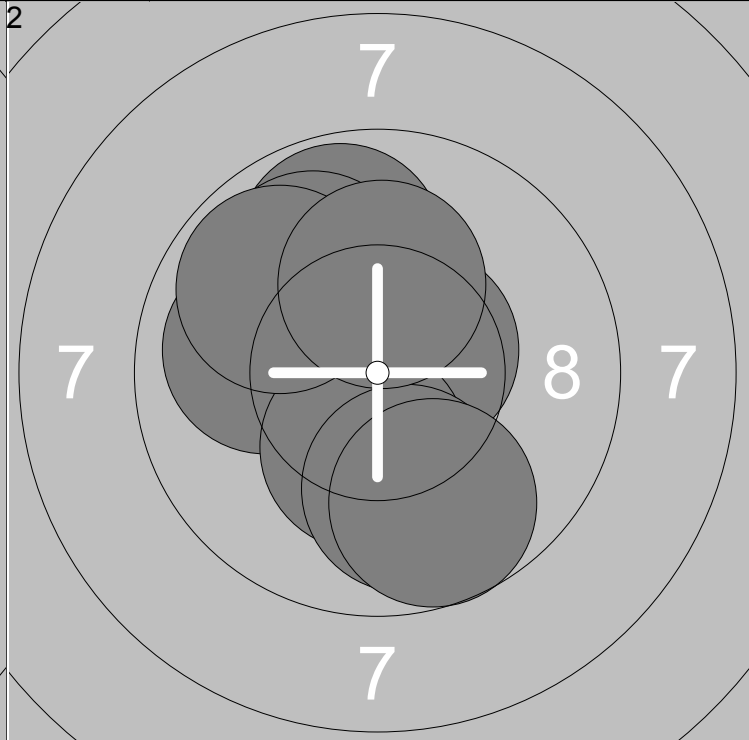
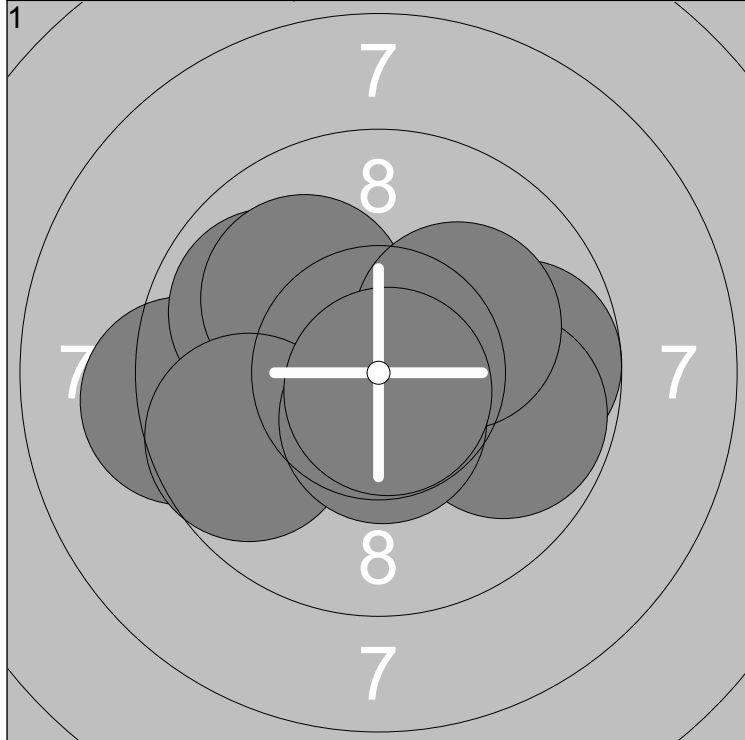
1: 8.8 ←	6: 10.1 →	Series	99.8
2: 10.5x ↑	7: 10.7x ←		
3: 10.0 ↓	8: 9.9 ↘	99.8	
4: 9.5 →	9: 9.7 ↗		
5: 10.0 ↗	10: 10.6x →		

1: 9.5 ←	6: 10.1 →	Series	100.9
2: 9.8 ←	7: 10.8x ↗		
3: 10.7x ↗	8: 10.1 →	200.7	
4: 9.6 ↘	9: 10.2x ↘		
5: 9.8 →	10: 10.3x ←		



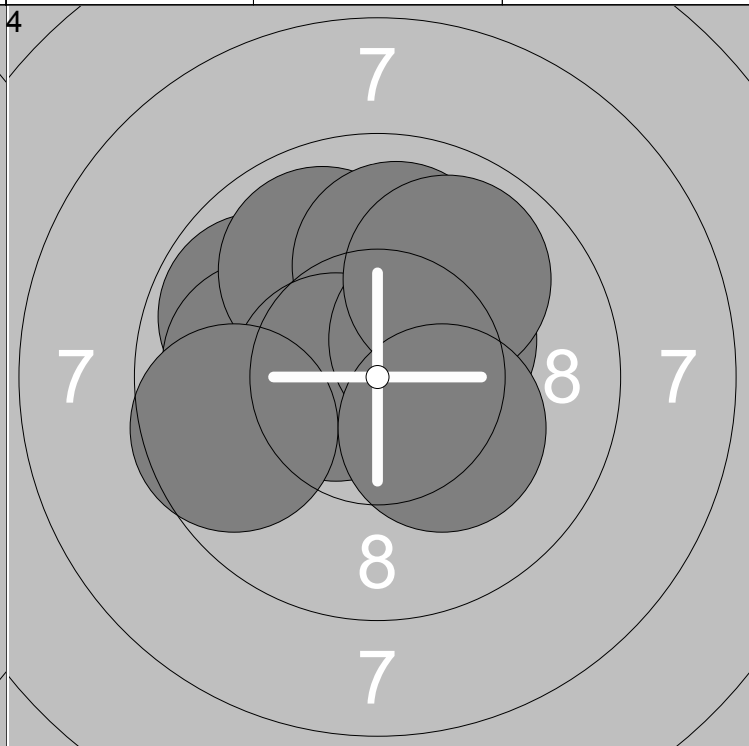
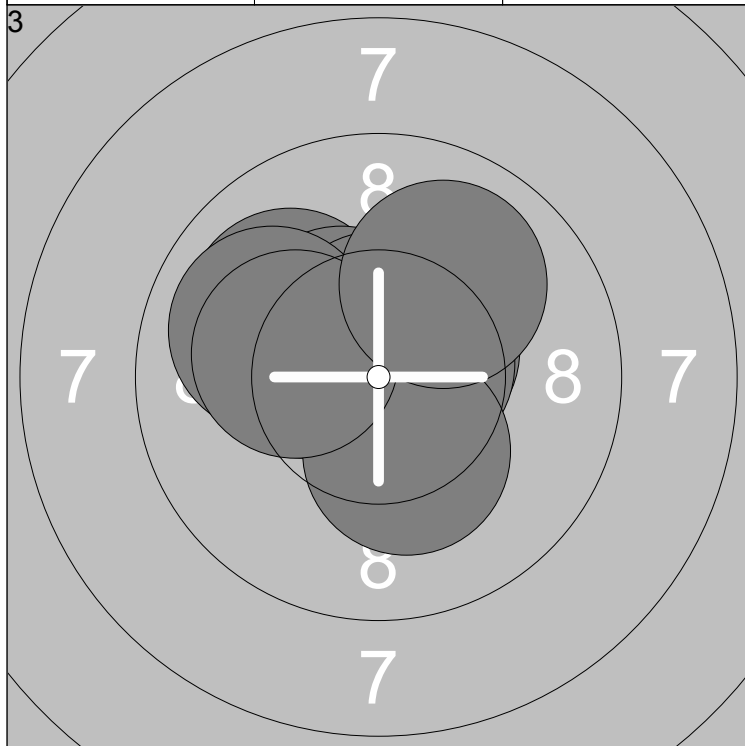
1: 10.5x ↘	6: 9.4 ←	Series	101.2
2: 10.3x ↘	7: 10.8x ↘		
3: 9.9 ↗	8: 10.6x ↘	301.9	
4: 9.4 ↖	9: 9.8 ↓		
5: 10.3x ↗	10: 10.2x →		

1: 9.7 ↖	6: 10.4x ←	Series	101.5
2: 10.1 →	7: 10.3x ←		
3: 9.9 ↘	8: 9.9 ↘	403.4	
4: 9.6 ←	9: 10.8x →		
5: 10.0 ←	10: 10.8x ↘		



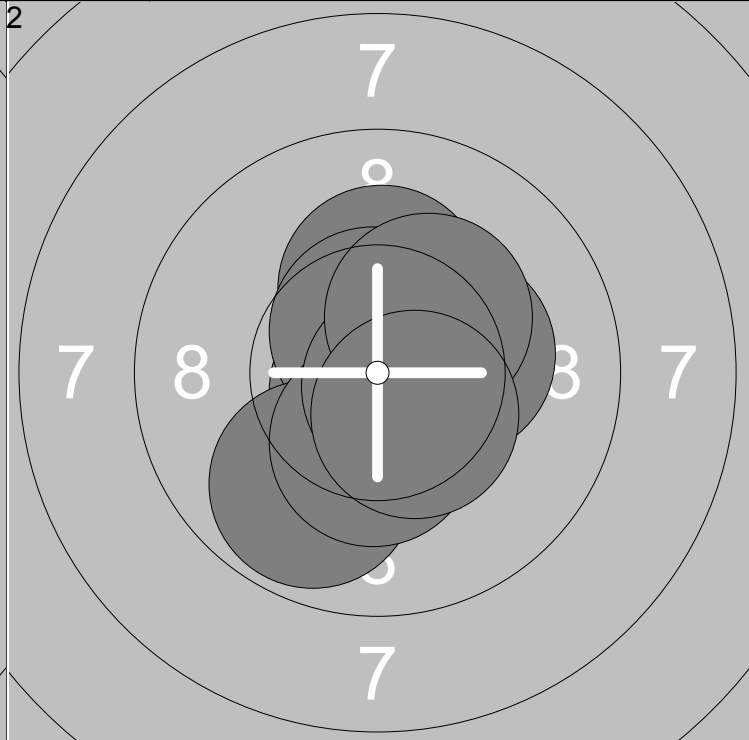
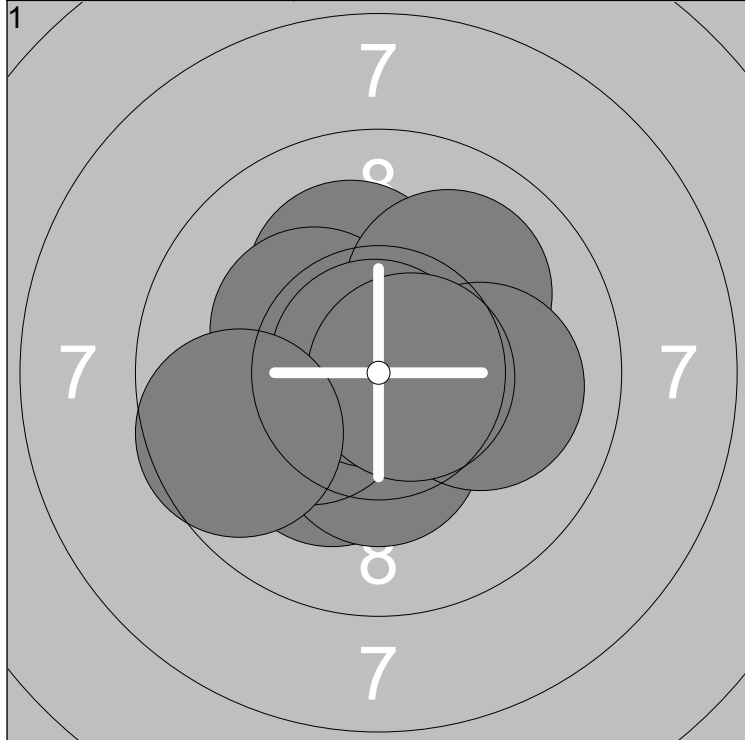
1: 9.7 →	6: 10.0 ↖	Series	100.8
2: 10.8x ↘	7: 9.7 ↙		
3: 9.3 ←	8: 10.2x ↗	100.8	
4: 9.9 ↗	9: 10.6x ↓		
5: 9.8 →	10: 10.8x ↘		

1: 10.1 ↖	6: 10.3x ↓	Series	100.4
2: 9.8 ↗	7: 9.9 ↖		
3: 9.9 ↗	8: 9.9 ↓	201.2	
4: 10.6x ↗	9: 10.2x ↑		
5: 10.0 ←	10: 9.7 ↓		



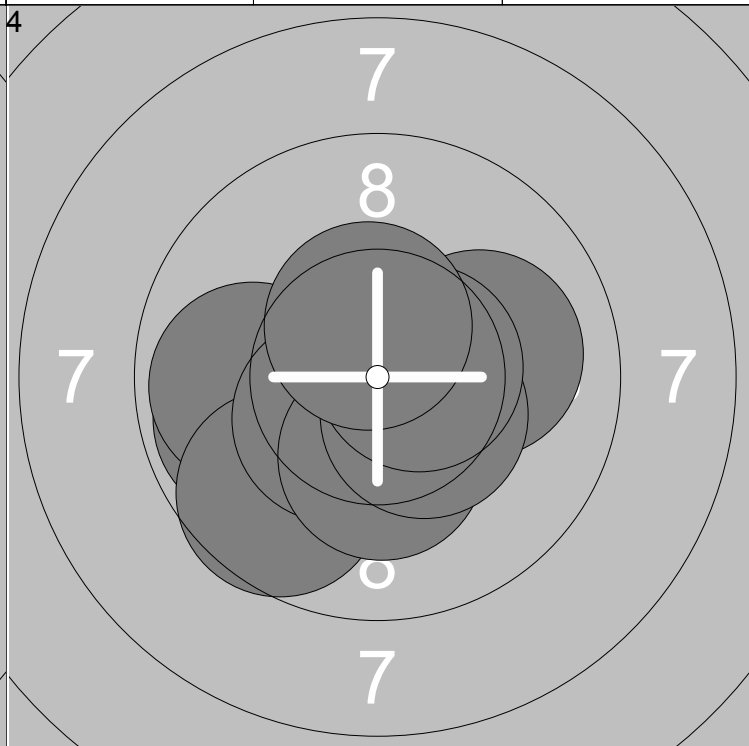
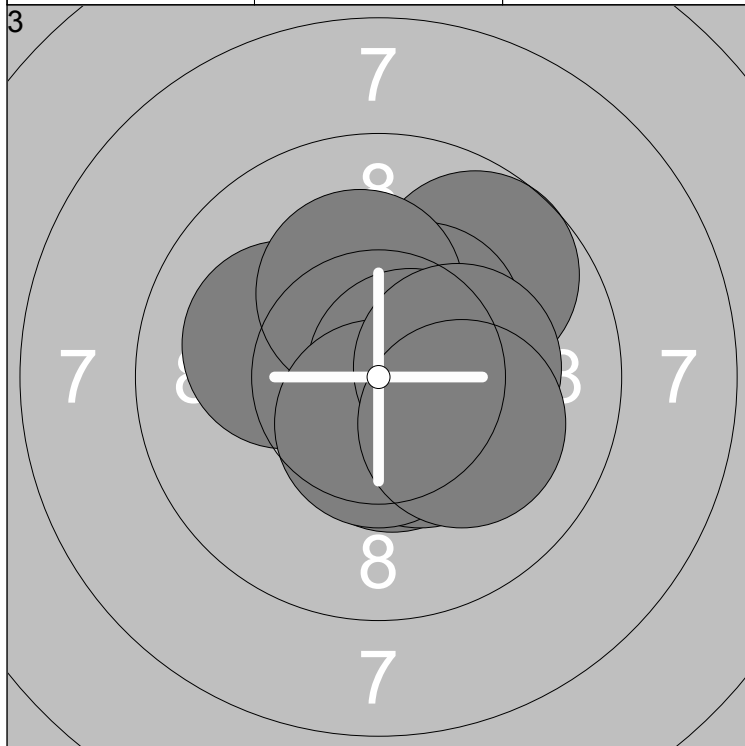
1: 10.0 ↖	6: 10.6x ↑	Series	103.0
2: 10.6x ↗	7: 10.3x ↓		
3: 10.6x ↗	8: 10.0 ↙	304.2	
4: 10.3x ↙	9: 10.2x ↙		
5: 10.4x ↗	10: 10.0 ↗		

1: 9.8 ↙	6: 10.6x ←	Series	101.0
2: 10.0 ←	7: 10.4x ↗		
3: 10.6x ↗	8: 9.6 ←	405.2	
4: 9.9 ↗	9: 9.9 ↗		
5: 10.0 ↑	10: 10.2x ↘		



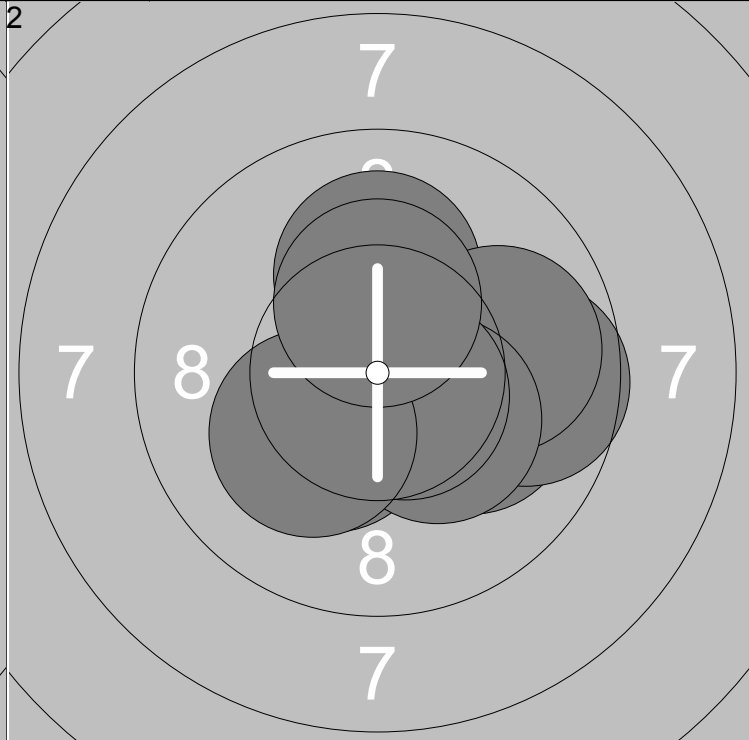
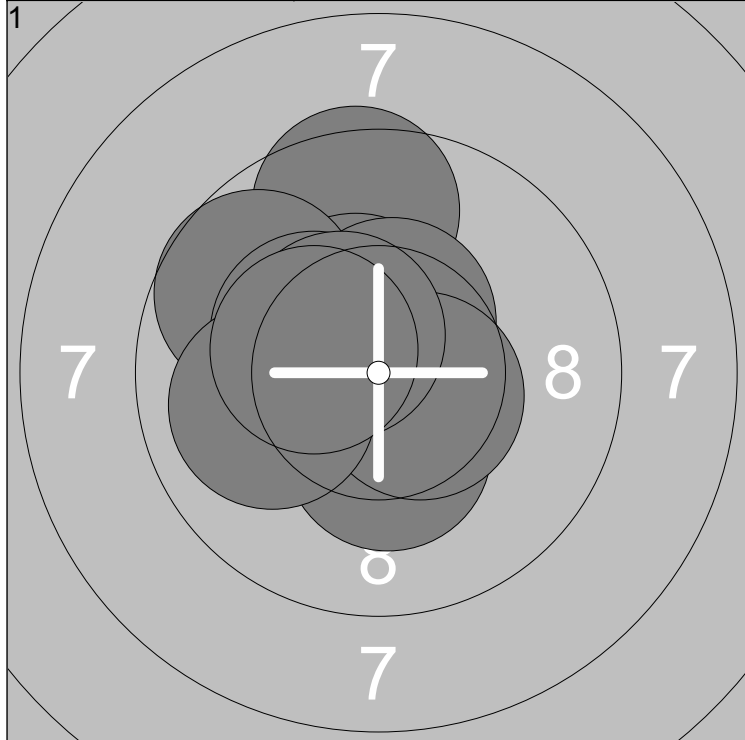
1: 10.2x ↗	6: 10.0 ↗	Series	102.8
2: 10.2x ↘	7: 10.9x ↗		
3: 10.4x ↓	8: 10.1 →		102.8
4: 10.3x ↙	9: 10.7x →		
5: 10.3x ↖	10: 9.7 ↙		

1: 10.2x ↑	6: 10.3x →	Series	104.2
2: 10.6x ↘	7: 10.3x ↓		
3: 10.8x ↓	8: 10.7x ↘		207.0
4: 10.6x ↑	9: 10.3x ↗		
5: 9.9 ↘	10: 10.5x ↘		



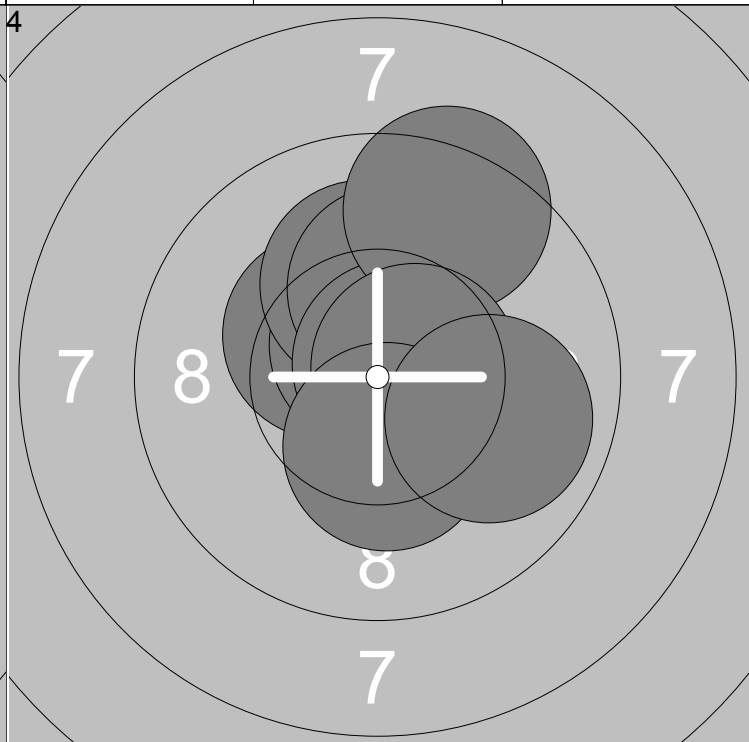
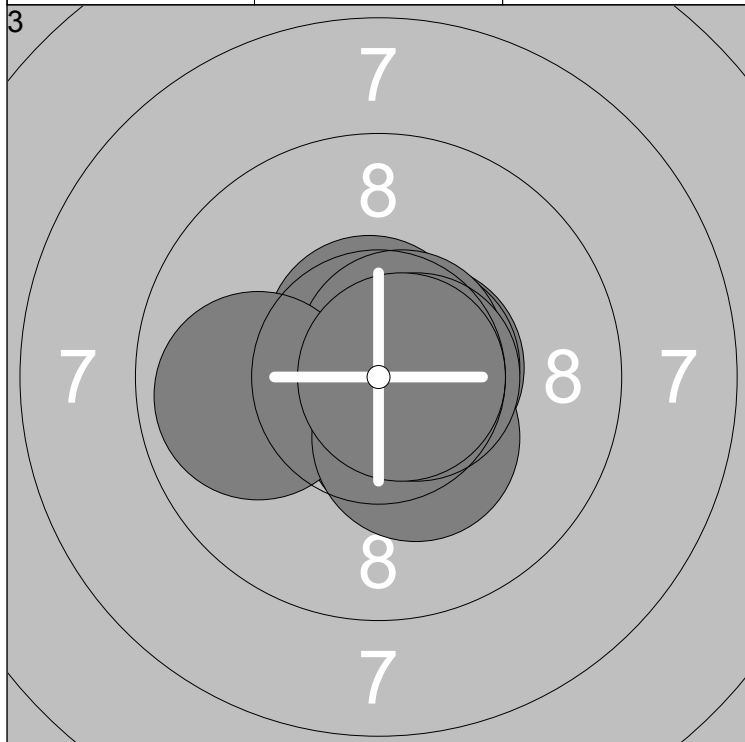
1: 10.1 ↙	6: 10.7x →	Series	102.9
2: 9.7 ↗	7: 10.4x ↘		
3: 10.5x ↓	8: 10.6x ↓		309.9
4: 10.4x ↗	9: 10.2x →		
5: 10.2x ↑	10: 10.1 ↘		

1: 9.9 ↙	6: 10.4x ↘	Series	102.4
2: 9.9 ↙	7: 10.3x ↓		
3: 10.1 →	8: 10.4x ↘		412.3
4: 10.7x ↘	9: 10.6x →		
5: 9.6 ↘	10: 10.5x ↑		



1: 10.3x ↓	6: 10.5x ↘	Series	102.2
2: 9.6 ↑	7: 10.3x ↗		
3: 10.4x ↗	8: 10.5x ↗		
4: 9.7 ↖	9: 10.0 ←		102.2
5: 10.5x ↑	10: 10.4x ↖		

1: 10.1 ↑	6: 10.3x ↙	Series	102.3
2: 10.1 →	7: 10.3x ↘		
3: 9.7 →	8: 10.6x ↘		
4: 9.9 →	9: 10.2x ↙		204.5
5: 10.7x ↓	10: 10.4x ↑		



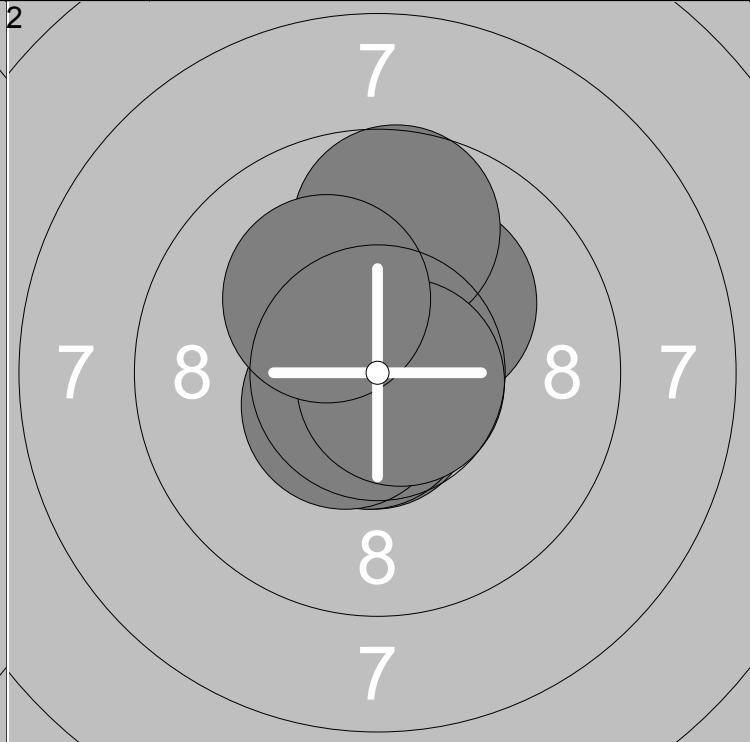
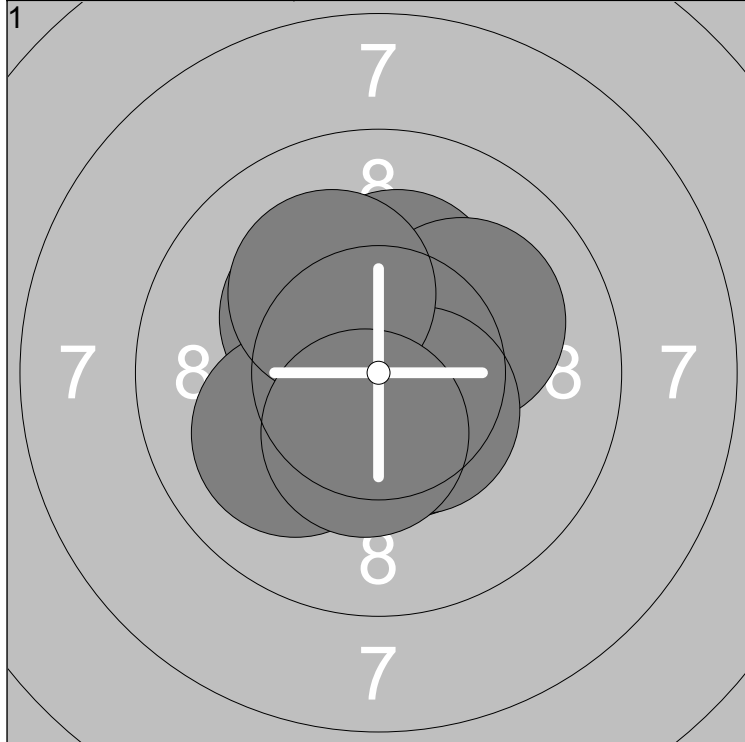
1: 10.6x →	6: 10.5x ↓	Series	105.2
2: 10.6x ↑	7: 9.9 ←		
3: 10.6x →	8: 10.3x ↓		
4: 10.7x ↓	9: 10.6x →		309.7
5: 10.7x ↗	10: 10.7x →		

1: 10.7x ↗	6: 10.8x ↗	Series	103.1
2: 10.4x ↖	7: 9.4 ↑		
3: 10.7x ↑	8: 10.6x →		
4: 10.1 ↑	9: 10.3x ↓		412.8
5: 10.2x ↑	10: 9.9 →		

Relay 4	Lane 11	Danijela Vukadin	
-------------------	-------------------	-------------------------	--

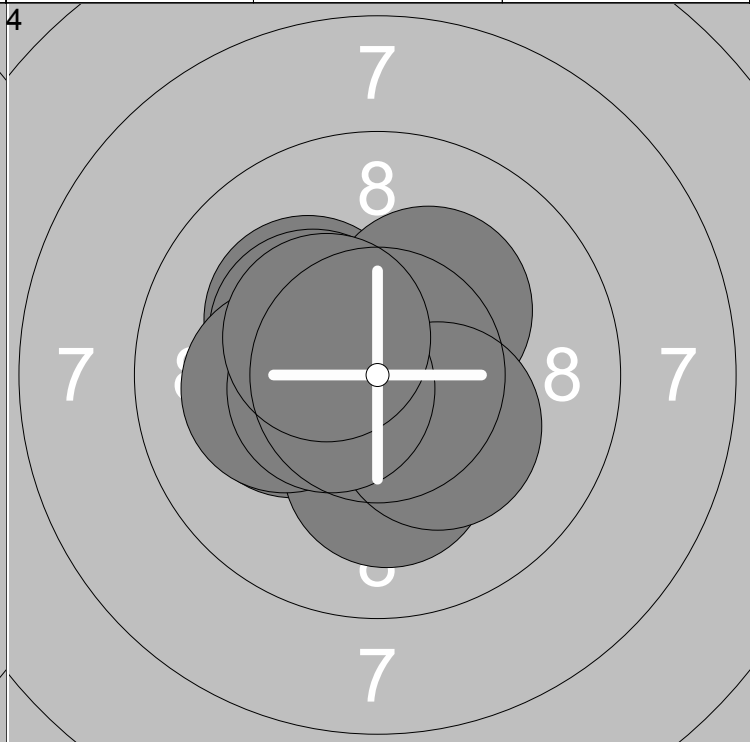
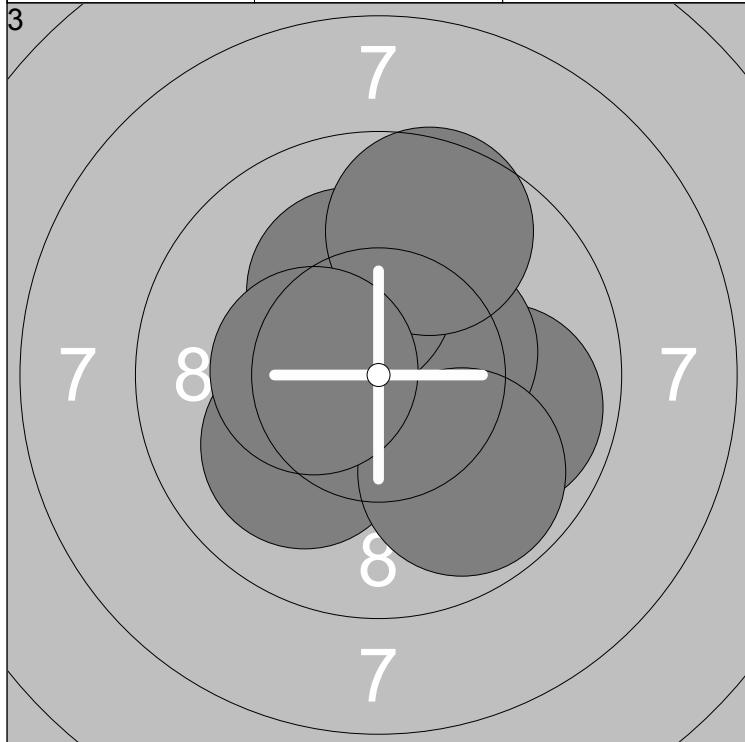
Qualification	CRO	Rifle	
---------------	-----	-------	--

2015-10-2/3/4	EYL	Söraby SKF
---------------	-----	------------



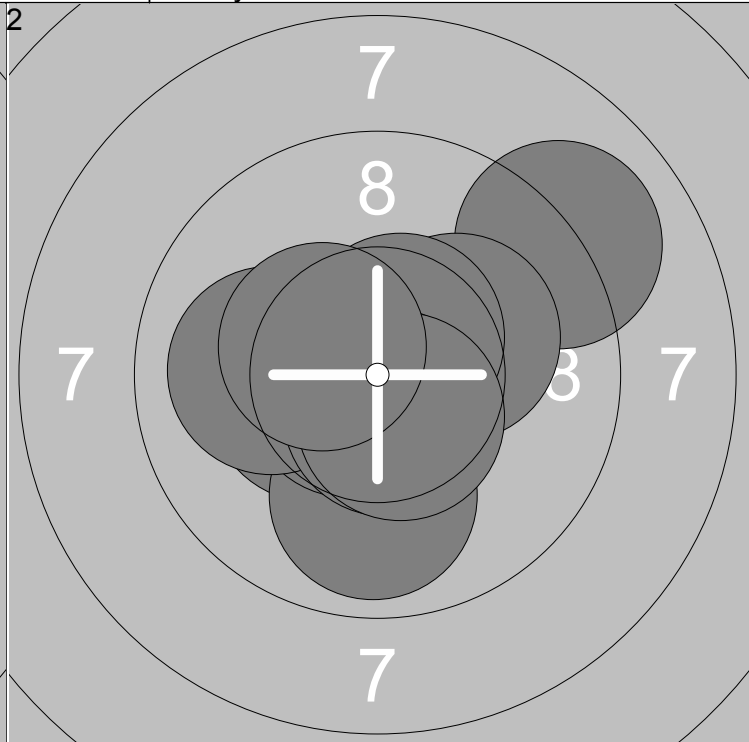
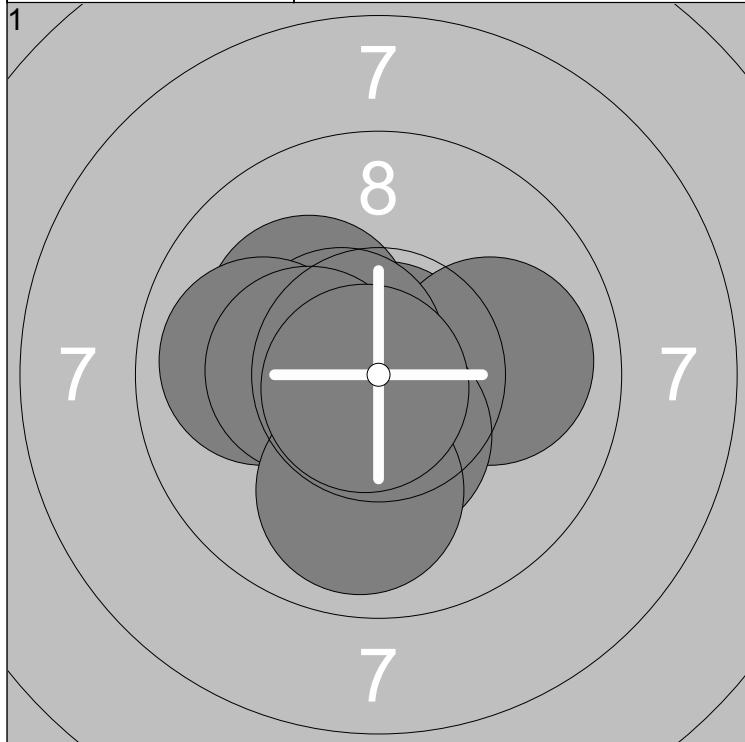
1: 10.5x ↗	6: 10.1 ↗	Series	103.6
2: 10.6x ↘	7: 10.5x ↘		
3: 10.3x ↗	8: 10.1 ↙	Series	103.6
4: 10.6x ↑	9: 10.2x ↗		
5: 10.3x ↑	10: 10.4x ↘		

1: 10.7x ↗	6: 9.7 ↑	Series	105.1
2: 10.6x ↖	7: 10.7x ↘		
3: 10.2x ↗	8: 10.6x ↙	Series	208.7
4: 10.9x →	9: 10.8x →		
5: 10.7x ↘	10: 10.2x ↖		



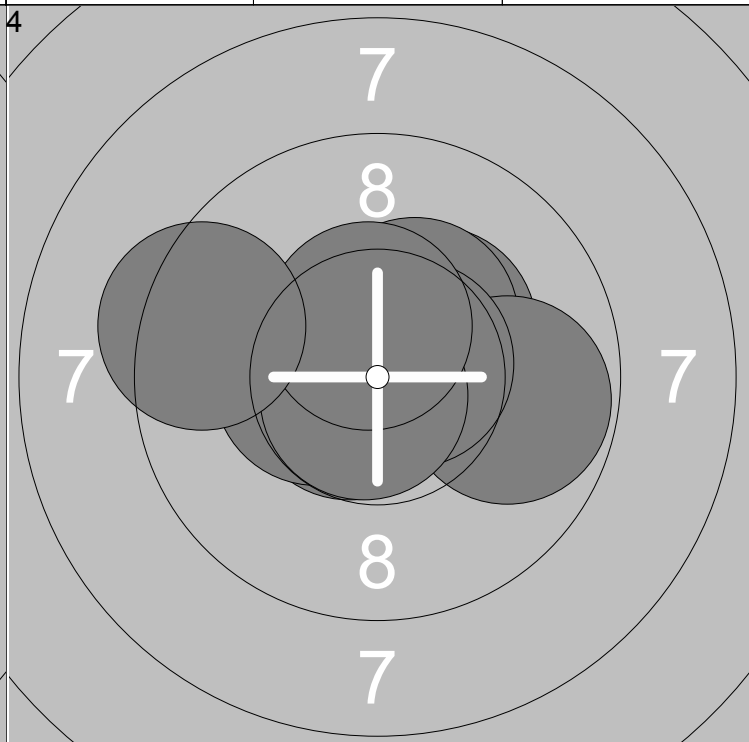
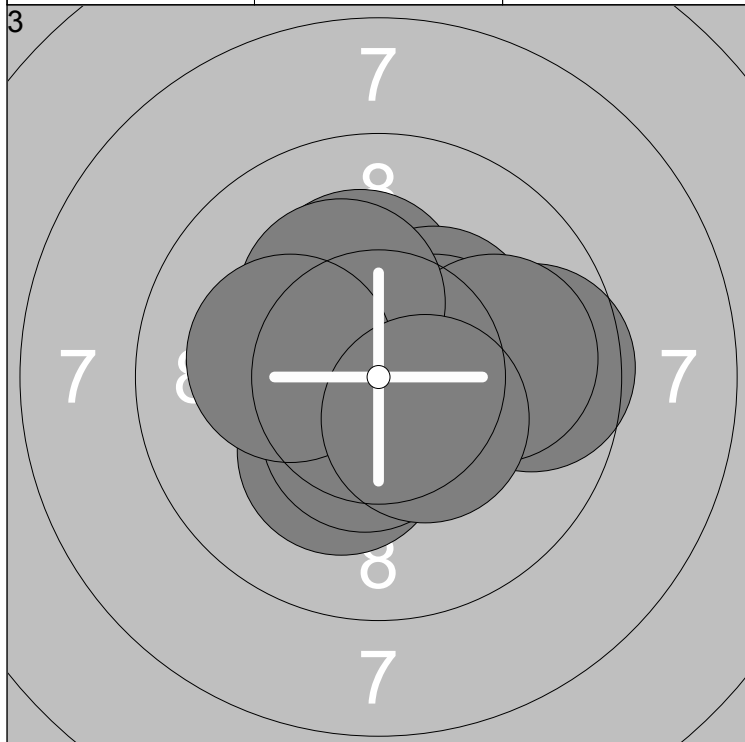
1: 10.8x ↘	6: 10.1 ↙	Series	102.3
2: 9.9 →	7: 10.2x ↑		
3: 10.5x ↗	8: 9.9 ↘	Series	311.0
4: 10.5x ↗	9: 9.6 ↑		
5: 10.4x →	10: 10.4x ←		

1: 10.2x ←	6: 10.2x ↗	Series	103.2
2: 10.2x ↖	7: 10.3x ↘		
3: 10.7x ↑	8: 10.2x ←	Series	414.2
4: 10.2x ↘	9: 10.5x ←		
5: 10.3x ↖	10: 10.4x ↖		



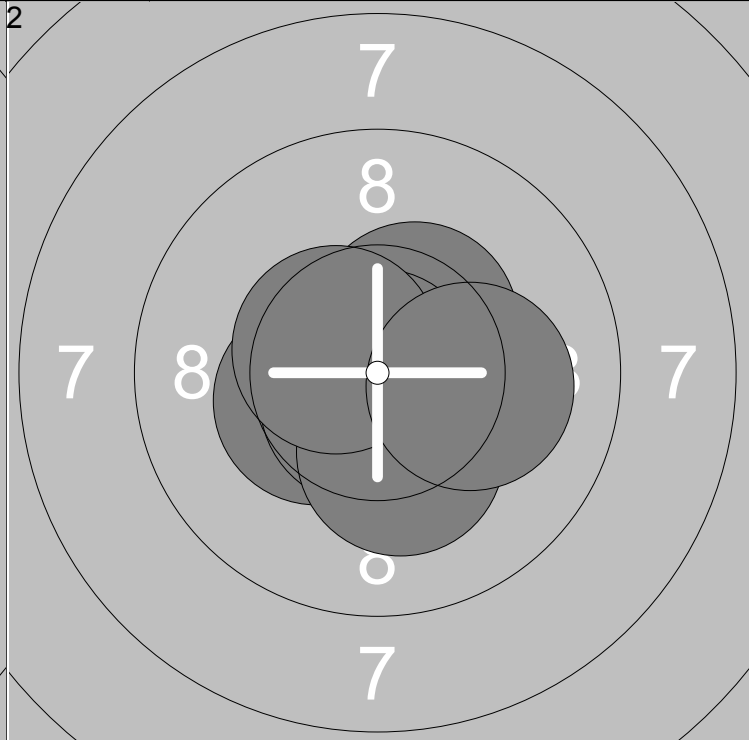
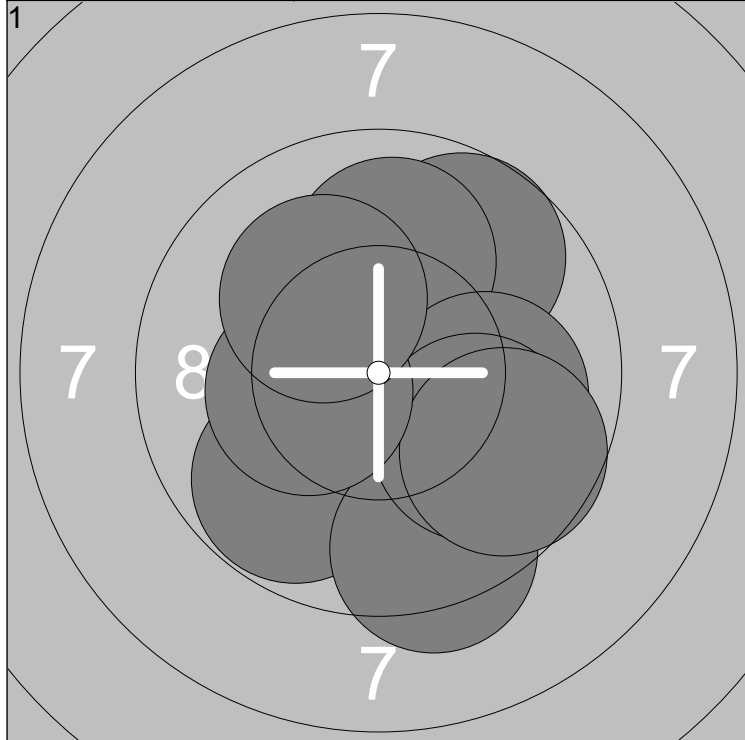
1: 10.5x ↓	6: 9.9 ←	Series	103.6
2: 10.9x ↗	7: 10.4x ↓		
3: 10.2x ↗	8: 10.4x ←	Series	103.6
4: 10.0 →	9: 9.9 ↓		
5: 10.6x ↖	10: 10.8x ↙		

1: 10.4x ←	6: 10.2x →	Series	102.3
2: 9.0 ↗	7: 10.6x ↗		
3: 9.9 ↓	8: 10.6x ↓	Series	205.9
4: 10.7x ↙	9: 10.5x ↓		
5: 10.0 ←	10: 10.4x ←		



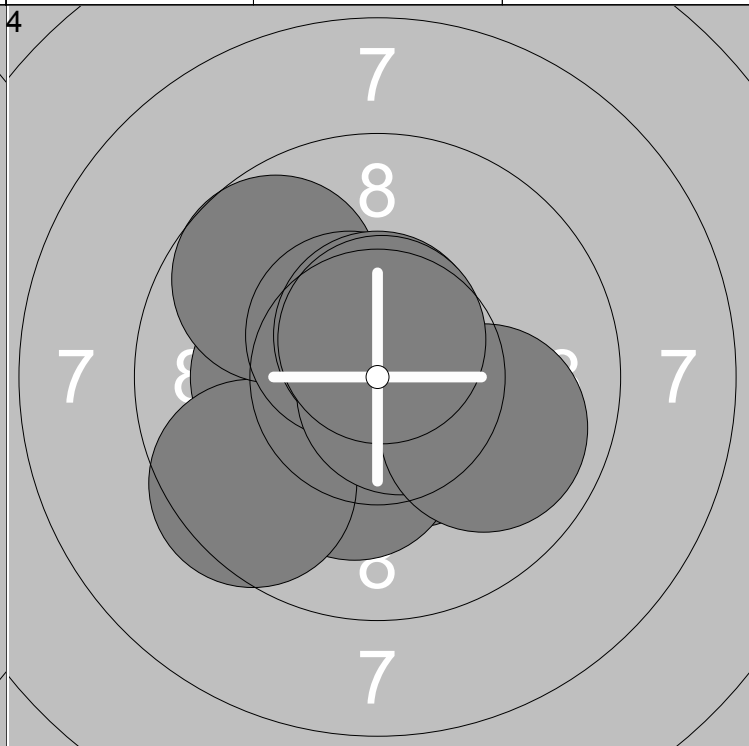
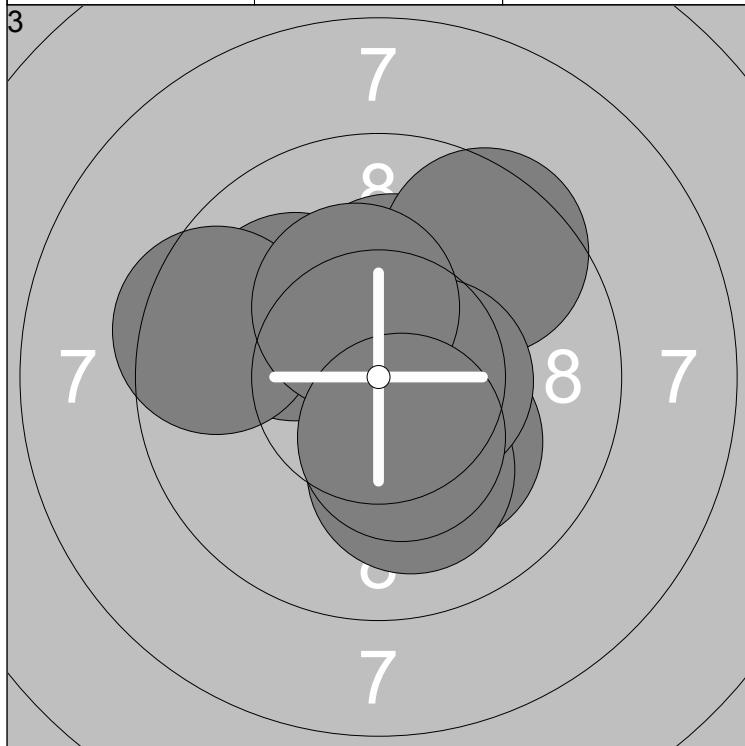
1: 10.2x ↖	6: 9.9 →	Series	102.0
2: 10.3x ↗	7: 10.2x ↗		
3: 10.4x →	8: 10.5x ↓	Series	307.9
4: 9.6 →	9: 10.2x ←		
5: 10.3x ↙	10: 10.4x ↙		

1: 10.3x ↗	6: 10.4x ←	Series	103.5
2: 10.3x ↗	7: 10.6x ↖		
3: 10.7x ↙	8: 10.8x ↓	Series	411.4
4: 9.8 →	9: 10.5x ↑		
5: 10.7x →	10: 9.4 ←		



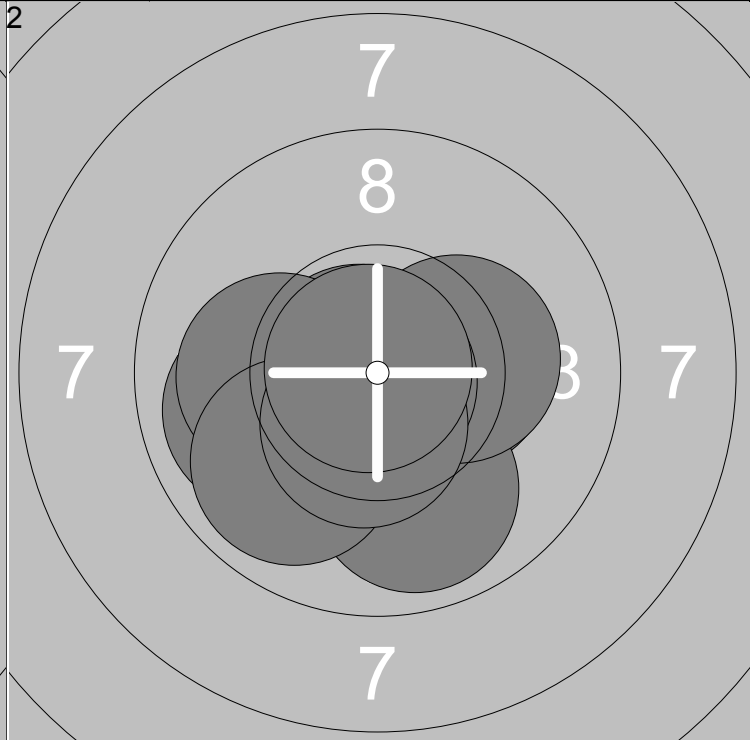
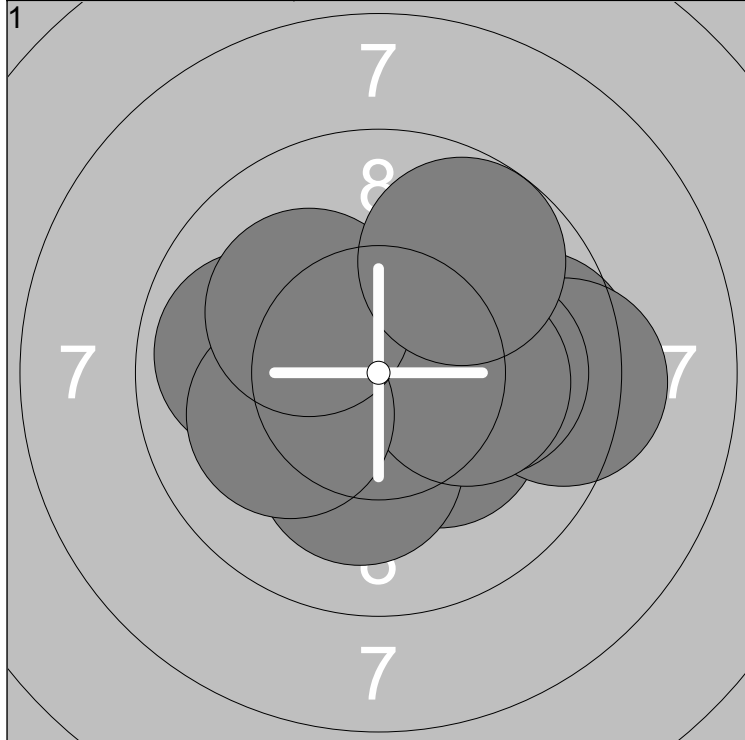
1: 10.5x →	6: 10.0 →	Series	99.5
2: 9.7 ↗	7: 9.9 ↘		
3: 10.0 ↑	8: 9.7 ↘	99.5	
4: 9.8 ↙	9: 10.3x ←		
5: 9.4 ↓	10: 10.2x ↗		

1: 10.5x ↘	6: 10.7x ↙	Series	104.7
2: 10.4x ↙	7: 10.9x		
3: 10.4x ↘	8: 10.2x ↘	204.2	
4: 10.4x ↗	9: 10.5x ↖		
5: 10.6x ↘	10: 10.1 →		



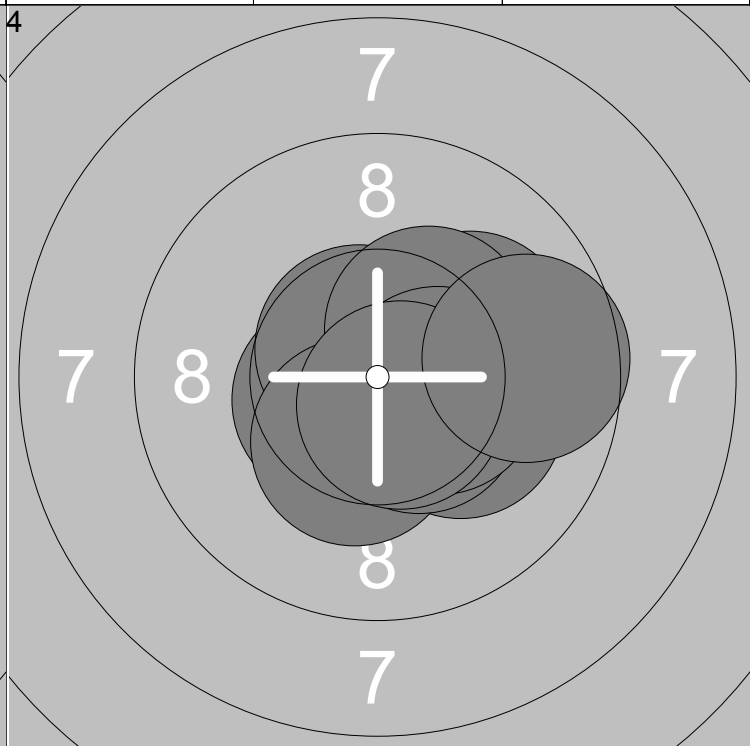
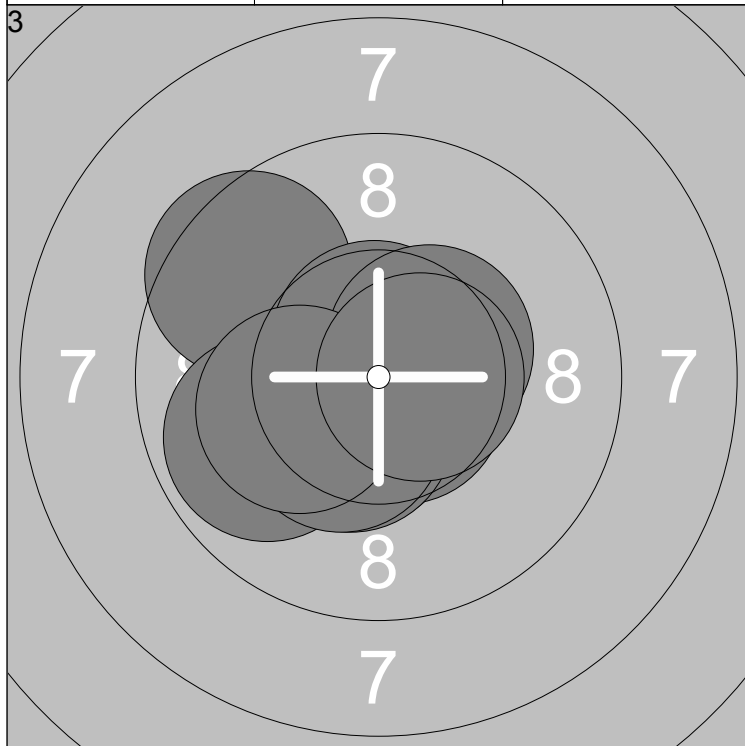
1: 10.2x ↘	6: 9.5 ←	Series	101.1
2: 10.3x ↑	7: 9.5 ↗		
3: 10.1 ↗	8: 10.5x →	305.3	
4: 10.2x ↘	9: 10.3x ↑		
5: 10.1 ↓	10: 10.4x ↘		

1: 10.2x ←	6: 10.5x ↗	Series	102.4
2: 10.5x ↘	7: 10.6x ↑		
3: 10.2x ↘	8: 10.7x ↘	407.7	
4: 9.5 ↙	9: 9.9 →		
5: 9.7 ↗	10: 10.6x ↑		



1: 9.6 →	6: 10.2x →	Series	99.6
2: 10.3x ↘	7: 9.9 ←		
3: 9.4 →	8: 10.1 ←	Series	99.6
4: 10.2x ↓	9: 10.2x ↗		
5: 10.0 →	10: 9.7 ↗		

1: 10.4x →	6: 10.1 ←	Series	103.6
2: 10.8x ←	7: 9.9 ↘		
3: 9.9 ←	8: 10.9x ↓	Series	203.2
4: 9.9 ↓	9: 10.5x ↓		
5: 10.3x →	10: 10.9x ←		



1: 9.5 ↗	6: 10.7x ↘	Series	103.3
2: 10.7x ↑	7: 10.4x ↓		
3: 10.4x ↗	8: 10.4x ↓	Series	306.5
4: 9.9 ←	9: 10.2x ←		
5: 10.5x ↓	10: 10.6x →		

1: 10.5x ←	6: 10.4x ↓	Series	103.5
2: 10.7x ↗	7: 10.5x ↓		
3: 10.1 →	8: 10.4x →	Series	410.0
4: 10.4x ↗	9: 10.6x ↓		
5: 10.2x ↘	10: 9.7 →		