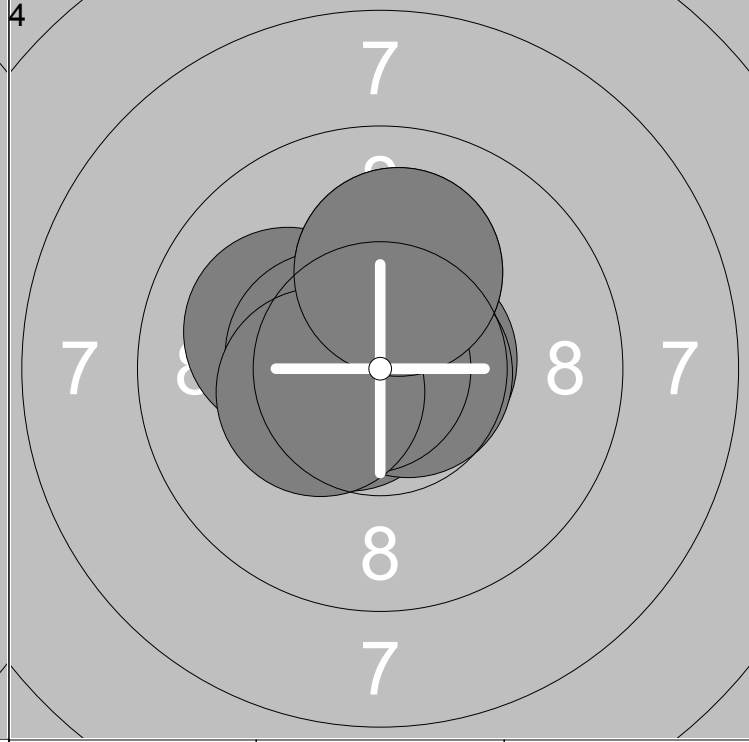
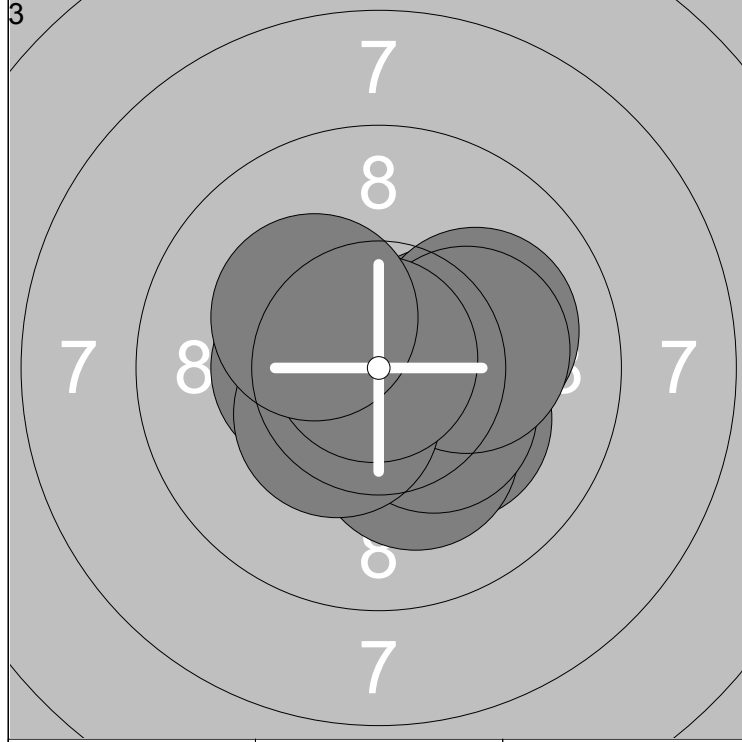


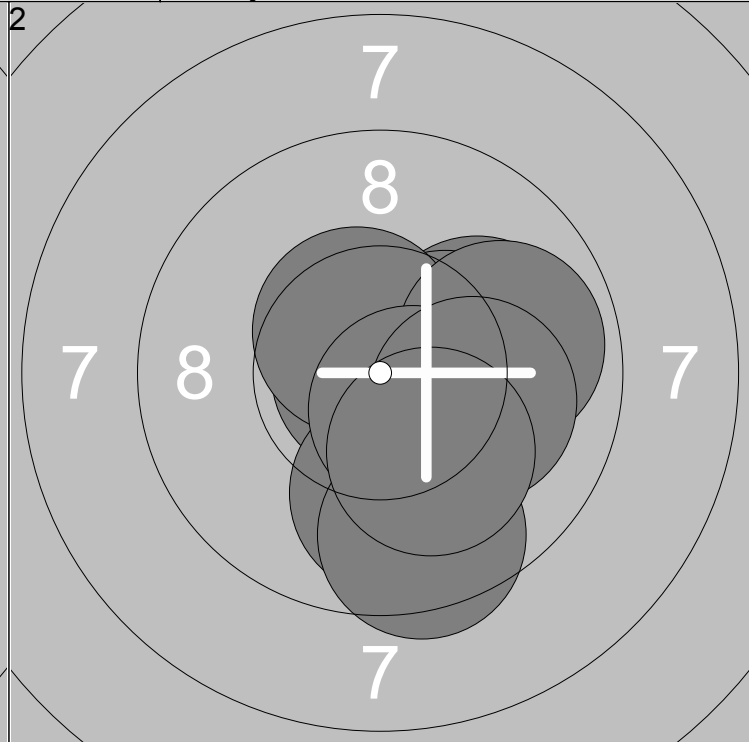
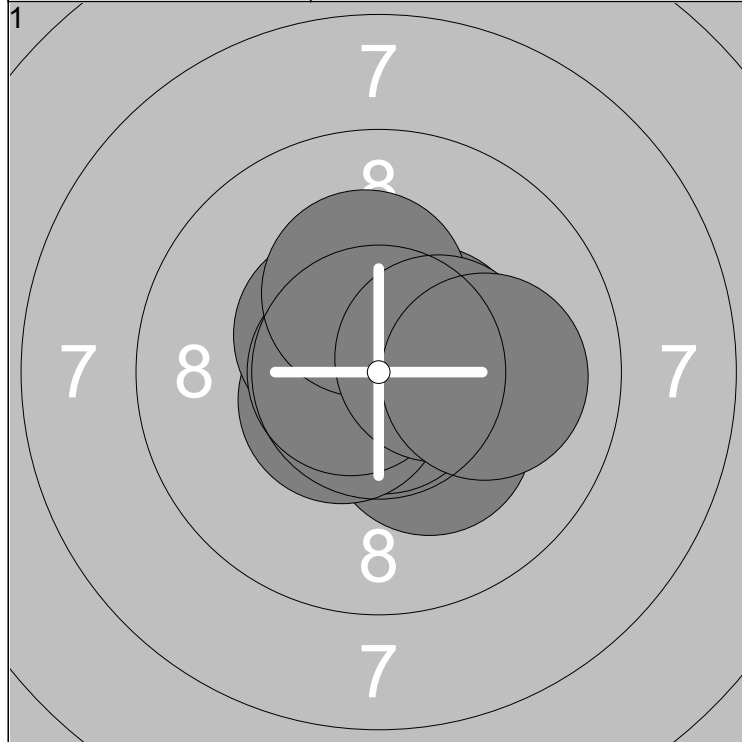
1: 9.6 →	6: 10.5x ↓	Series	101.2
2: 9.7 ↑	7: 10.5x ↗		
3: 10.7x →	8: 9.7 →	101.2	
4: 10.1 ↑	9: 10.5x ↗		
5: 9.4 ↗	10: 10.5x ↖		

1: 9.8 ←	6: 10.7x ↓	Series	101.7
2: 10.0 ↗	7: 10.3x ↖		
3: 10.5x →	8: 10.1 ↓	202.9	
4: 10.3x ←	9: 10.1 →		
5: 9.5 →	10: 10.4x ←		



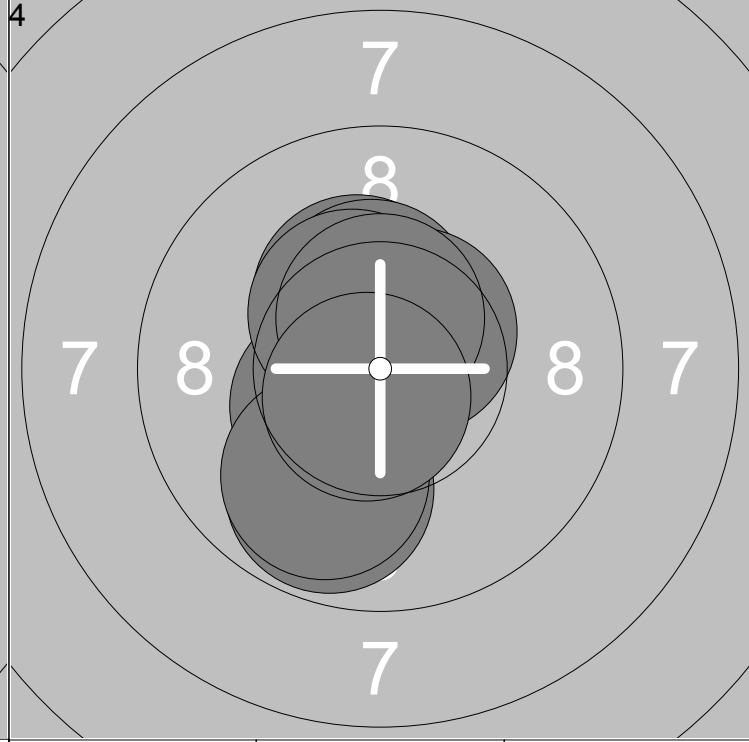
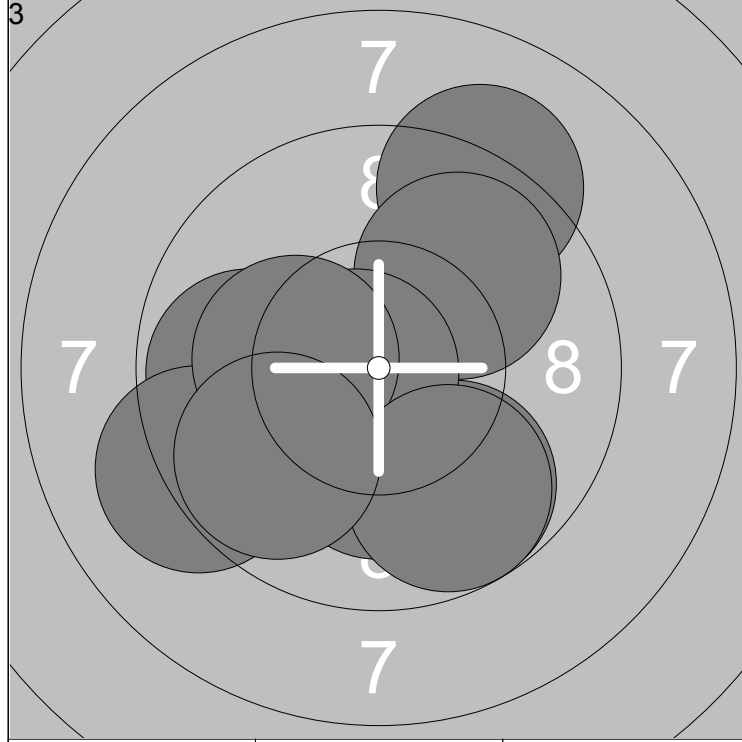
1: 10.2x ↓	6: 10.4x ↓	Series	103.4
2: 10.4x →	7: 10.2x →		
3: 10.1 →	8: 10.4x ↙	306.3	
4: 10.2x ↓	9: 10.9x ↗		
5: 10.4x ←	10: 10.2x ↗		

1: 10.1 ↖	6: 10.5x ←	Series	104.9
2: 10.6x ↙	7: 10.7x →		
3: 10.9x ↖	8: 10.8x ←	411.2	
4: 10.7x →	9: 10.4x ←		
5: 10.1 ↑	10: 10.1 ↑		



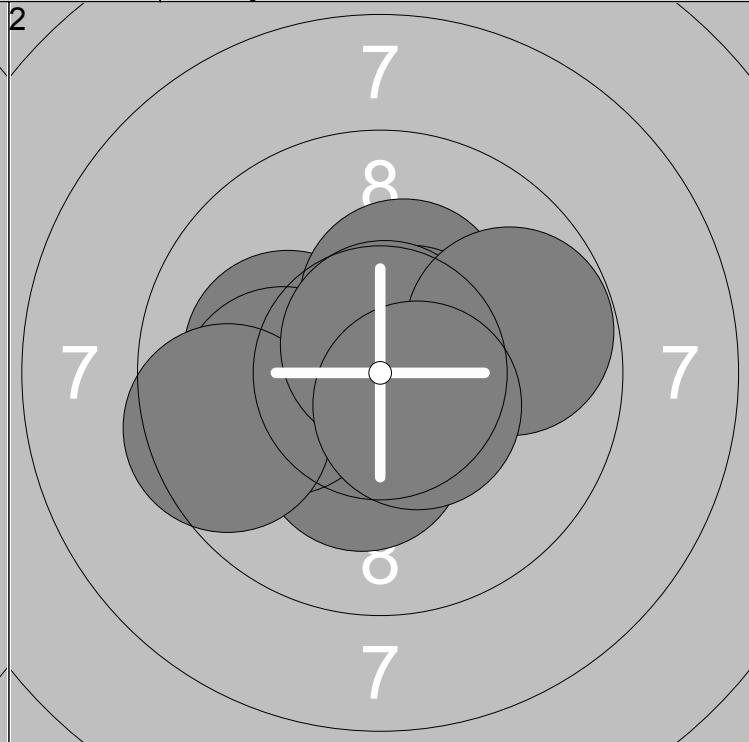
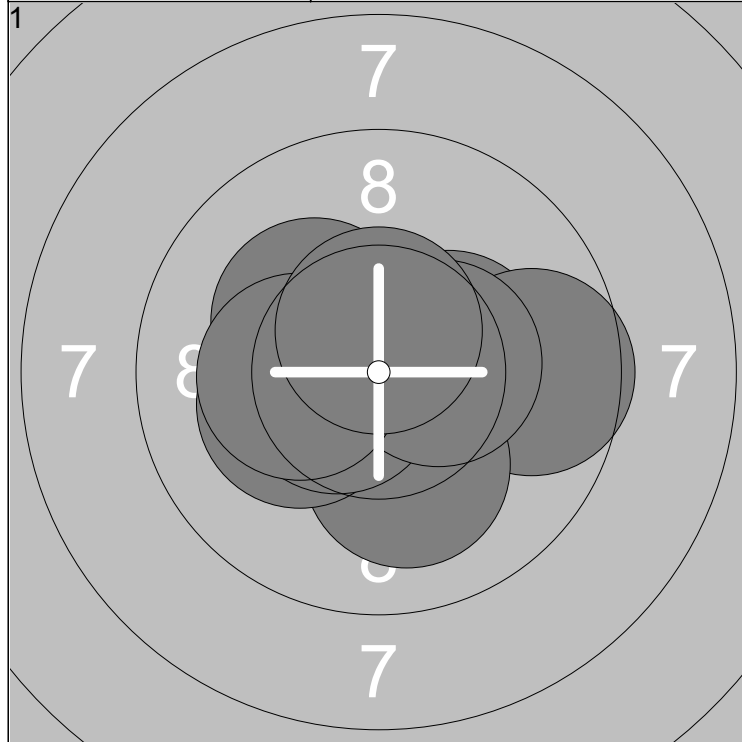
1: 10.3x ↘	6: 10.5x ↗	Series	104.6
2: 10.5x ↗	7: 10.7x ←		
3: 10.6x ↗	8: 10.3x ↑	104.6	
4: 10.8x ↓	9: 10.4x →		
5: 10.5x ↙	10: 10.0 →		

1: 10.9x ←	6: 10.5x ↗	Series	102.0
2: 10.1 →	7: 9.9 →		
3: 9.9 ↓	8: 10.5x ↓	206.6	
4: 10.4x →	9: 10.1 →		
5: 9.5 ↓	10: 10.2x ↓		



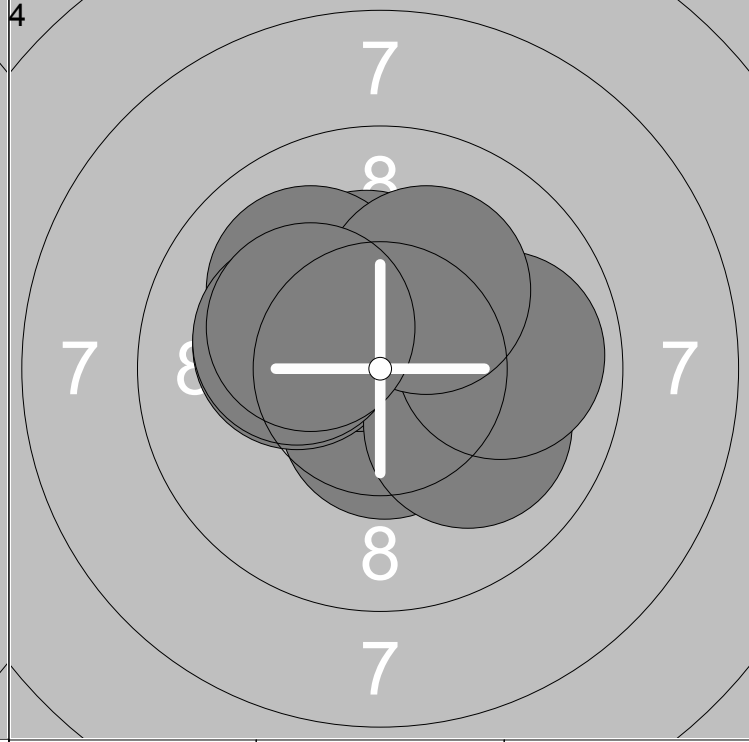
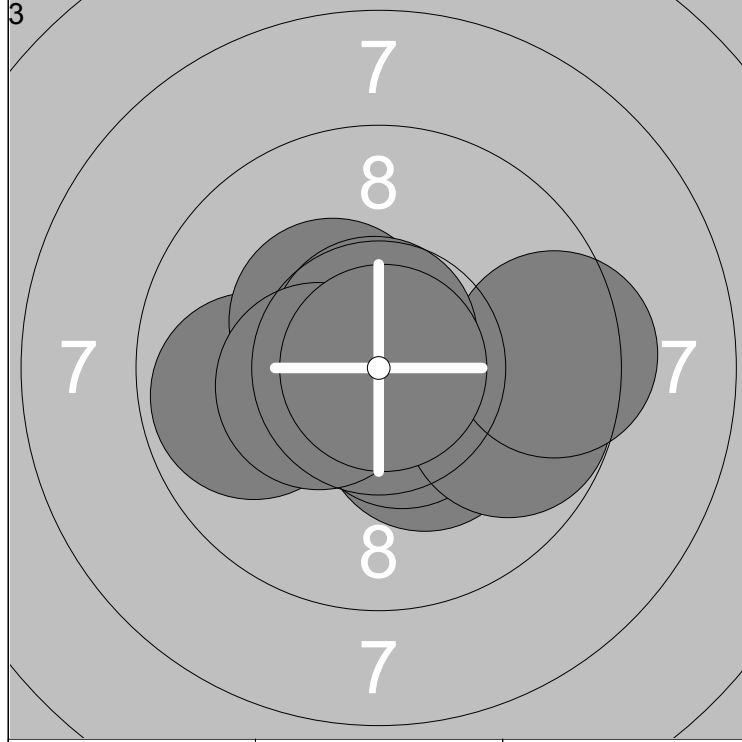
1: 9.8 ←	6: 9.2 ↙	Series	98.6
2: 10.2x ↓	7: 10.8x ←		
3: 9.2 ↗	8: 10.2x ←	305.2	
4: 9.8 ↓	9: 9.7 ↓		
5: 9.9 ↗	10: 9.8 ↙		

1: 10.3x ↗	6: 10.5x ↙	Series	103.9
2: 10.4x ↑	7: 10.4x ↗		
3: 10.9x ←	8: 9.9 ↓	409.1	
4: 10.5x ↗	9: 10.5x ↑		
5: 9.8 ↓	10: 10.7x ↓		



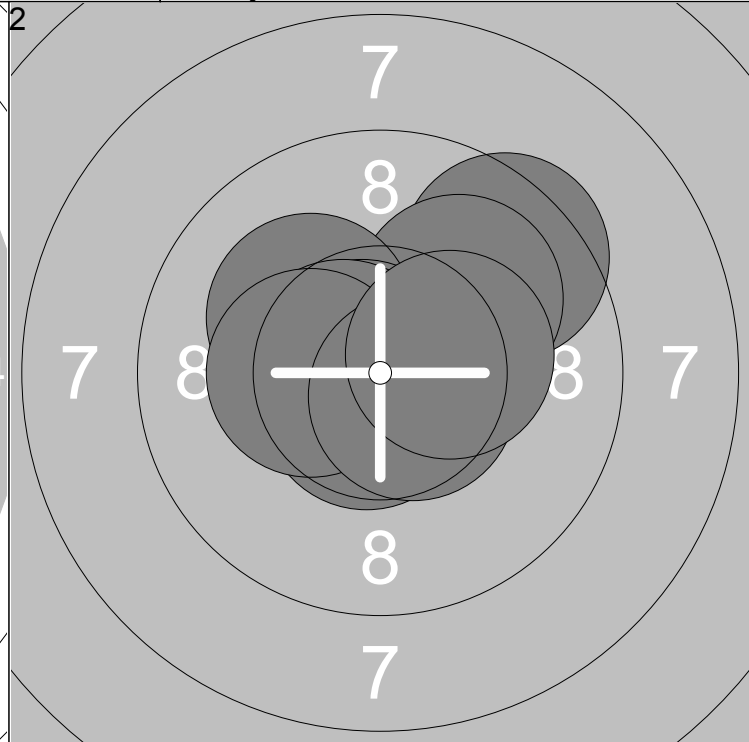
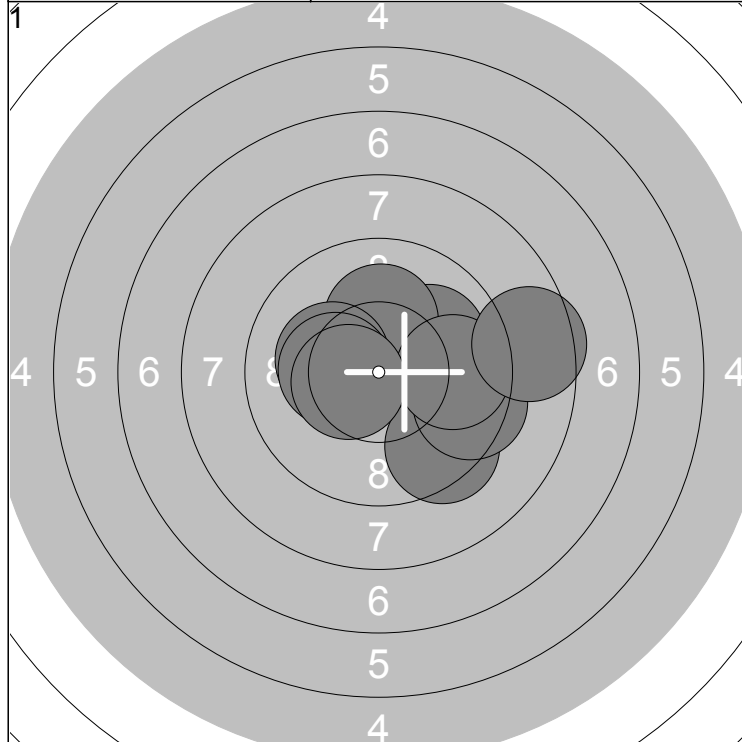
1: 10.3x →	6: 10.2x ←	Series	102.8
2: 9.6 →	7: 10.5x ←		
3: 10.5x ↗	8: 10.4x →	102.8	
4: 10.1 ↓	9: 10.3x ←		
5: 10.3x ↖	10: 10.6x ↑		

1: 10.5x →	6: 10.6x ↗	Series	102.4
2: 10.1 ←	7: 9.5 ←		
3: 10.3x ↑	8: 10.7x ↑	205.2	
4: 10.3x ↓	9: 9.8 →		
5: 10.1 ←	10: 10.5x ↘		



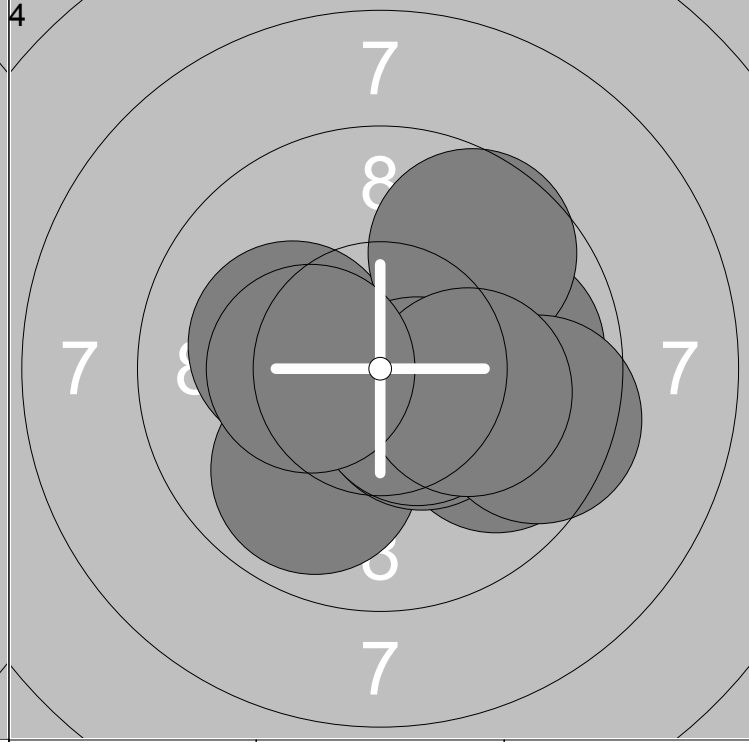
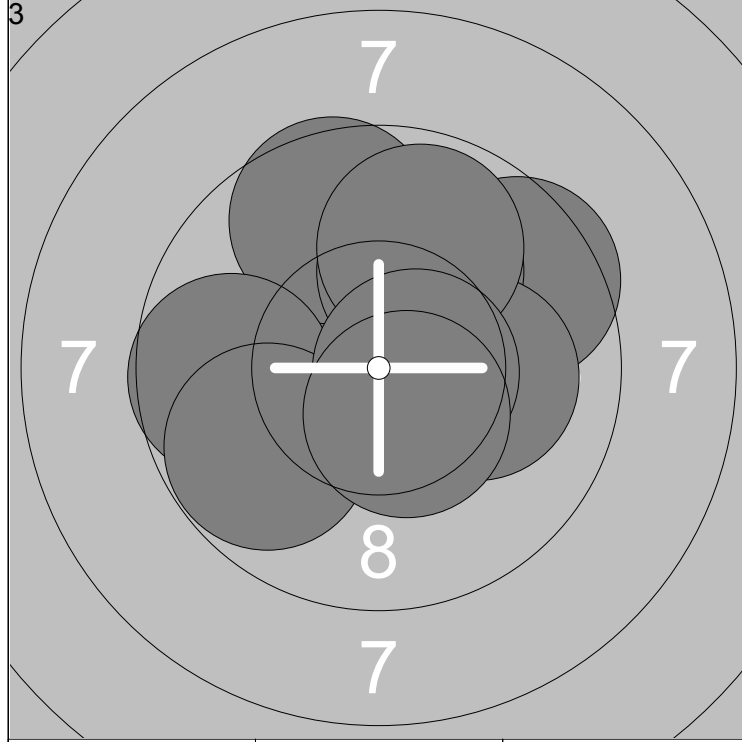
1: 10.7x ←	6: 9.4 →	Series	103.0
2: 9.8 ←	7: 10.4x ↗		
3: 10.3x ↓	8: 10.7x ↑	308.2	
4: 10.6x ↓	9: 10.4x ←		
5: 9.8 ↘	10: 10.9x →		

1: 10.3x ↑	6: 10.1 ↘	Series	102.3
2: 10.6x ↓	7: 9.9 →		
3: 10.5x ↗	8: 10.2x ↗	410.5	
4: 10.1 ↗	9: 10.2x ←		
5: 10.2x ←	10: 10.2x ↖		



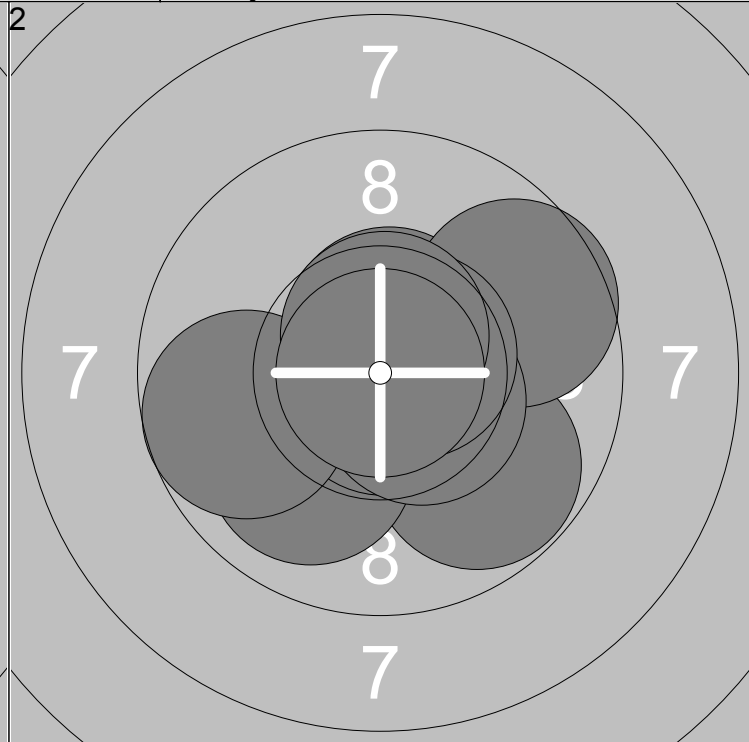
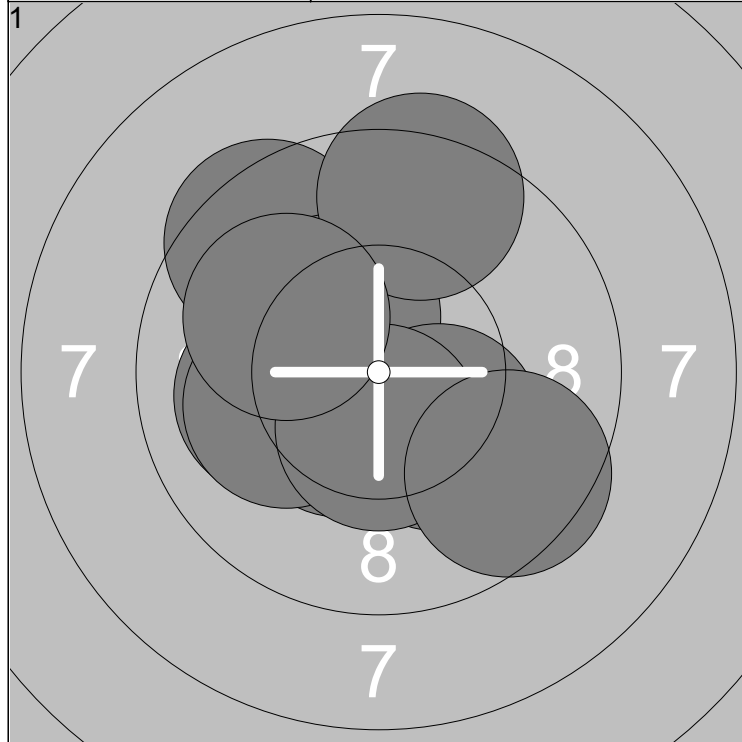
1: 10.5x ↖	6: 9.4 ↘	Series	98.8
2: 10.0 ↗	7: 9.4 →		
3: 10.2x ↑	8: 9.8 →	98.8	
4: 10.2x ←	9: 8.6 →		
5: 10.3x ←	10: 10.4x ←		

1: 10.6x ↙	6: 10.8x ↖	Series	103.6
2: 9.5 ↗	7: 10.6x ←		
3: 10.0 ↗	8: 10.4x ←	202.4	
4: 10.2x ↖	9: 10.6x ↘		
5: 10.6x →	10: 10.3x →		



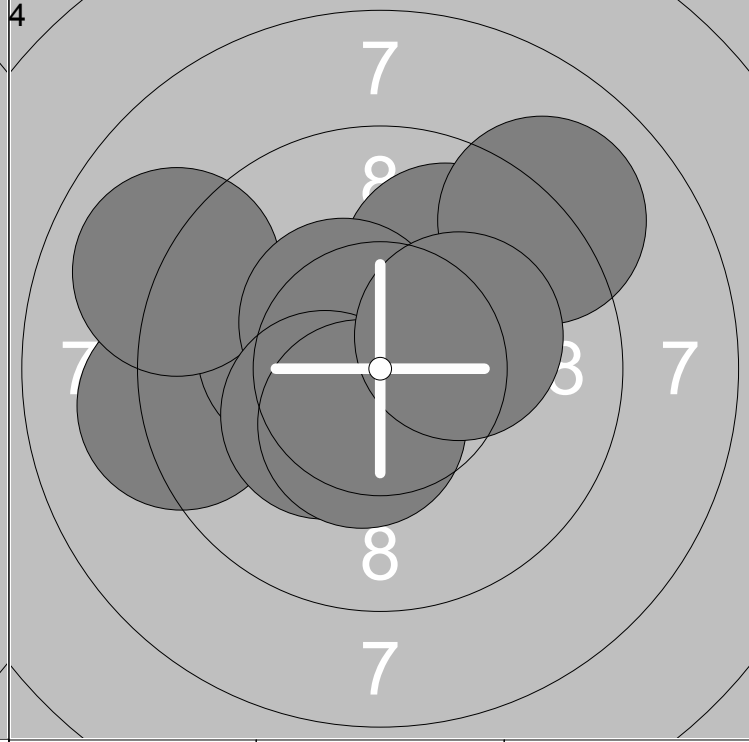
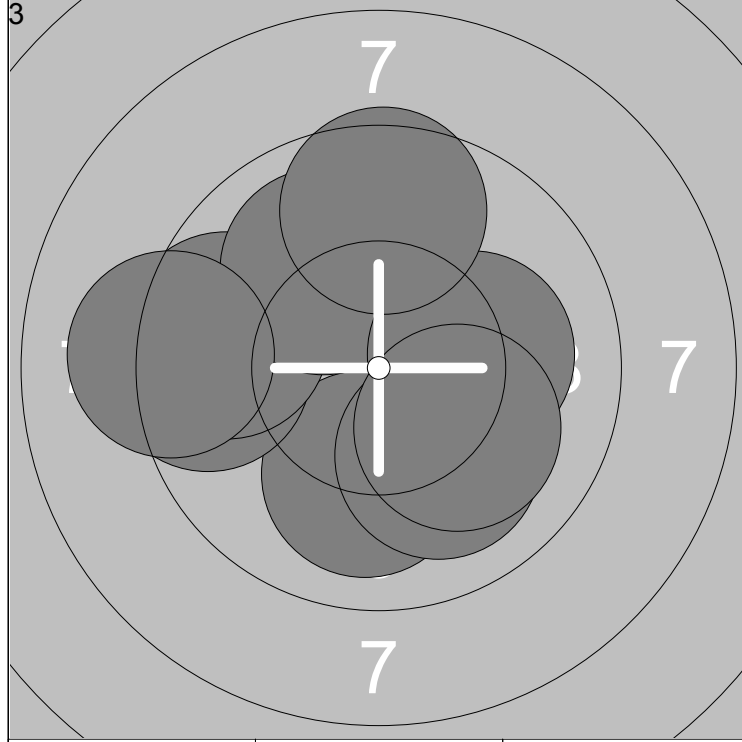
1: 10.6x ←	6: 10.1 →	Series	100.3
2: 9.5 ↗	7: 9.9 ↑		
3: 9.6 ↑	8: 9.8 ↙	302.7	
4: 10.0 ↗	9: 10.6x →		
5: 9.7 ←	10: 10.5x ↘		

1: 9.9 ↙	6: 9.7 ↗	Series	100.6
2: 9.8 ↘	7: 10.5x ↘		
3: 10.2x ←	8: 9.5 →	403.3	
4: 9.9 →	9: 10.2x →		
5: 10.5x ↘	10: 10.4x ←		



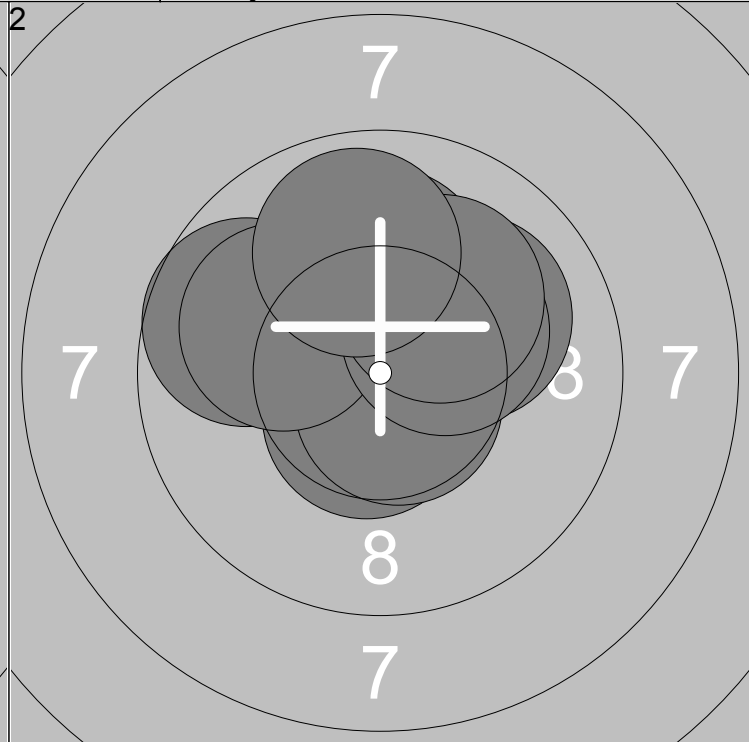
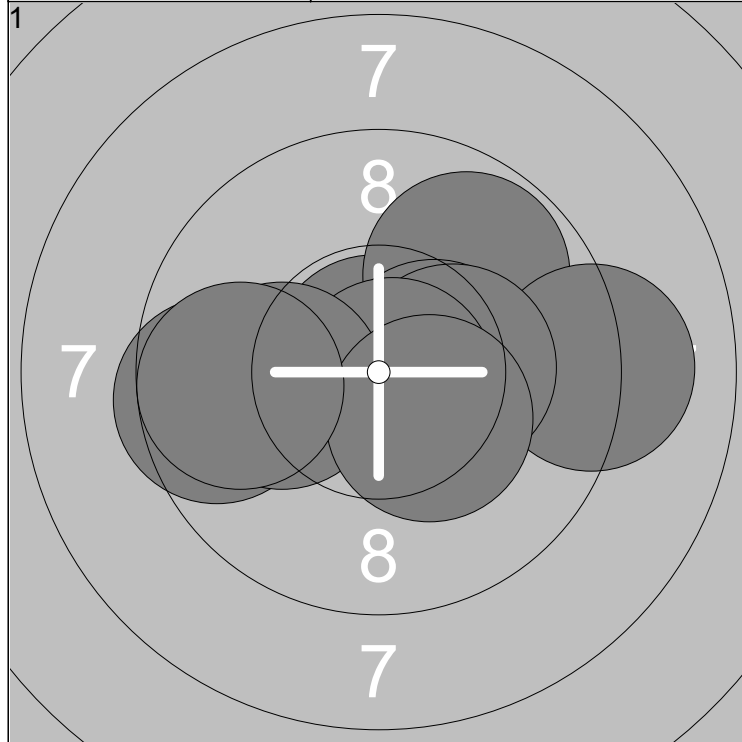
1: 10.5x ↙	6: 10.2x ↘	Series 100.1
2: 10.1 ←	7: 10.1 ←	
3: 9.5 ↗	8: 10.5x ↓	100.1
4: 10.3x ↗	9: 10.0 ↗	
5: 9.4 ↑	10: 9.5 ↘	

1: 9.8 ↘	6: 10.5x ↘	Series 103.2
2: 10.0 ↙	7: 9.8 ←	
3: 10.8x ↓	8: 10.6x ↗	203.3
4: 10.6x ↑	9: 10.6x ↑	
5: 9.6 ↗	10: 10.9x	



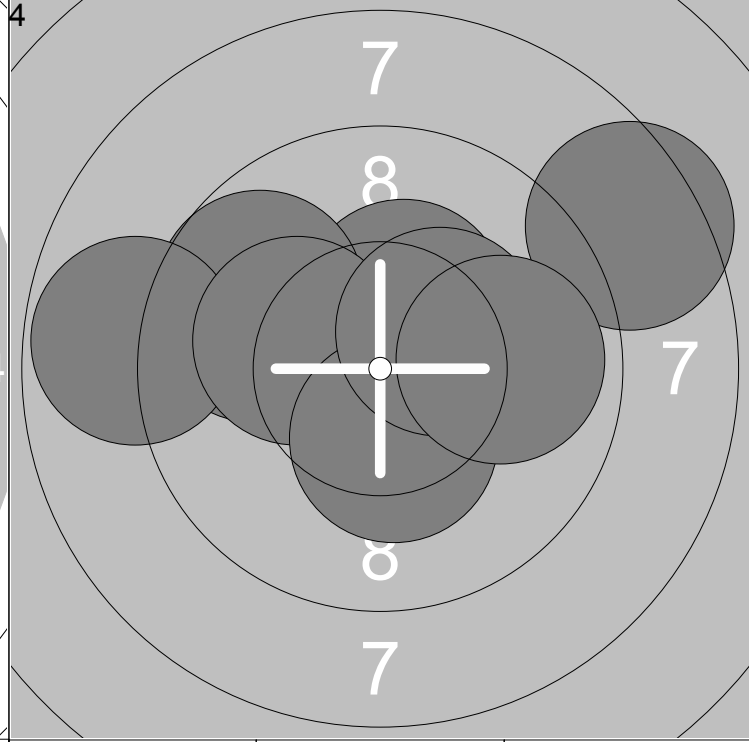
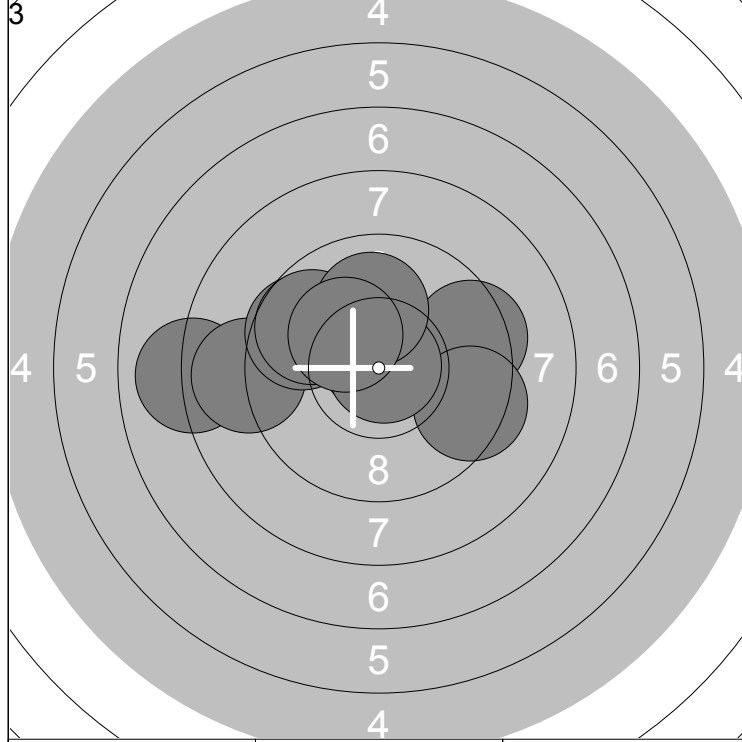
1: 10.2x ↓	6: 10.0 ↗	Series 98.2
2: 10.0 ↓	7: 10.1 →	
3: 9.5 ←	8: 9.1 ←	301.5
4: 9.6 ←	9: 10.1 ↘	
5: 10.0 ↓	10: 9.6 ↑	

1: 9.2 ←	6: 10.4x ↗	Series 99.3
2: 10.2x ←	7: 10.3x ↙	
3: 10.7x ↙	8: 9.0 ↗	400.8
4: 9.9 ↑	9: 10.4x ↓	
5: 9.0 ←	10: 10.2x →	



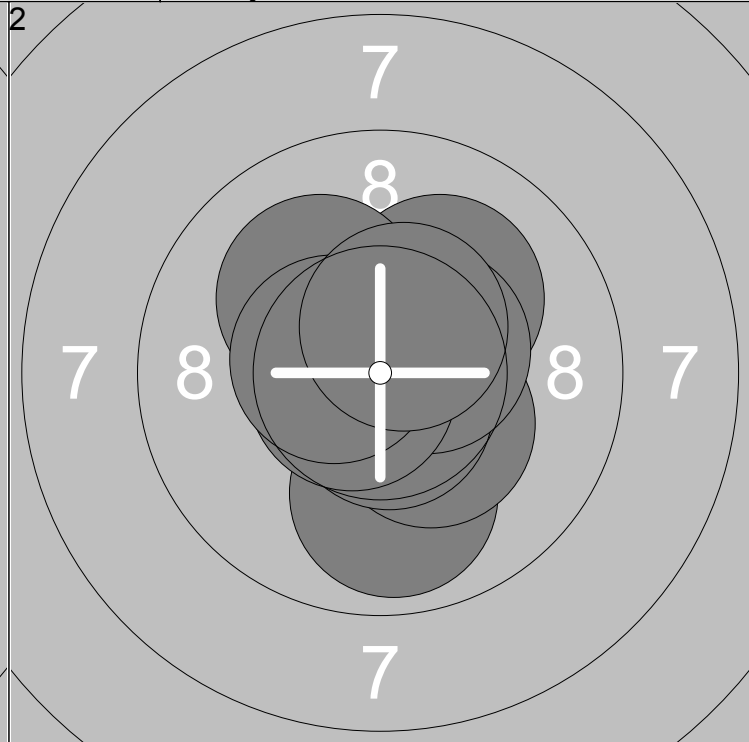
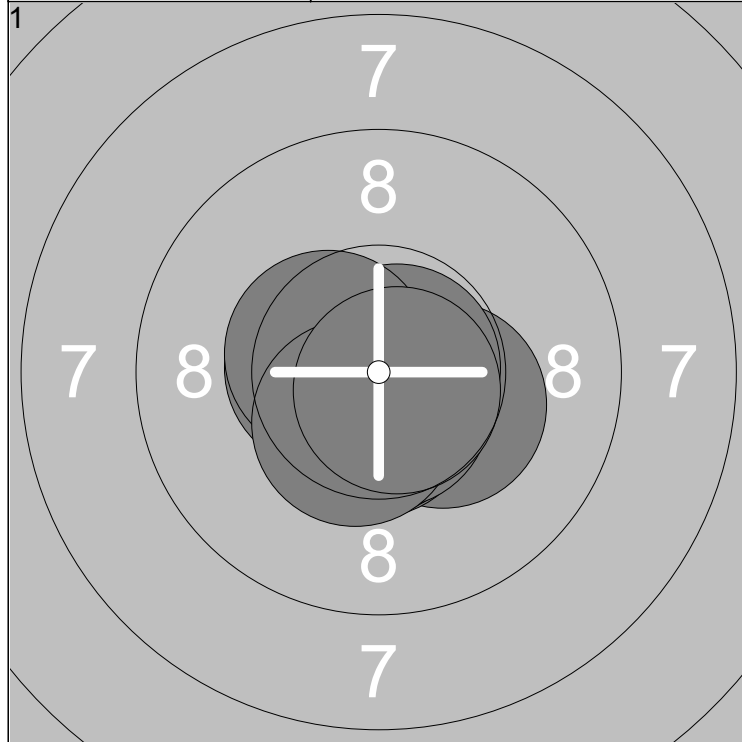
1: 10.8x ↗	6: 10.8x ↘	Series	101.0
2: 9.8 ↗	7: 9.5 ←		
3: 10.5x →	8: 10.1 ←	101.0	
4: 9.1 →	9: 10.4x ↘		
5: 10.3x →	10: 9.7 ←		

1: 10.4x ↗	6: 10.1 ↗	Series	101.8
2: 10.6x ↘	7: 10.0 ↖		
3: 10.1 ↑	8: 10.3x ↗	202.8	
4: 9.7 ↖	9: 10.1 ↗		
5: 10.6x ↘	10: 9.9 ↑		



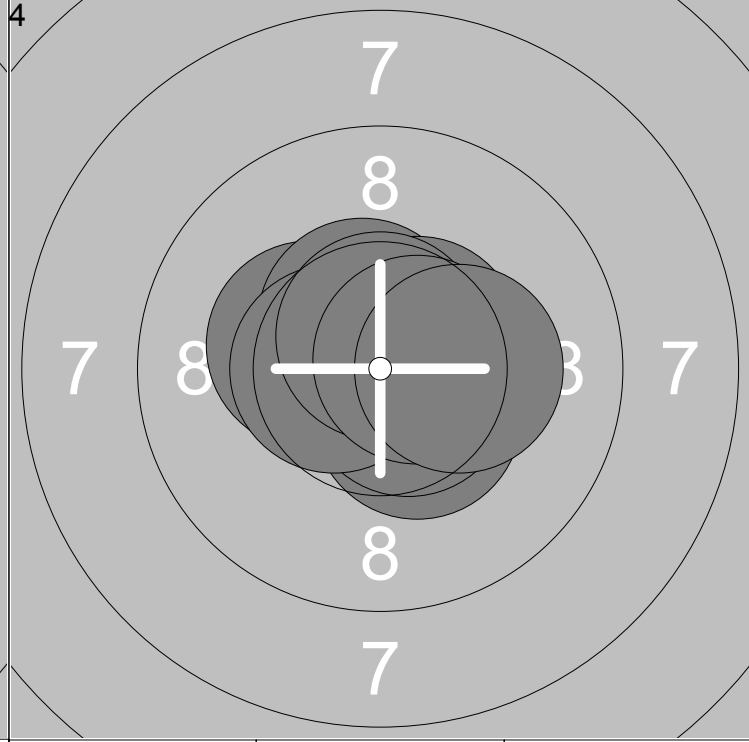
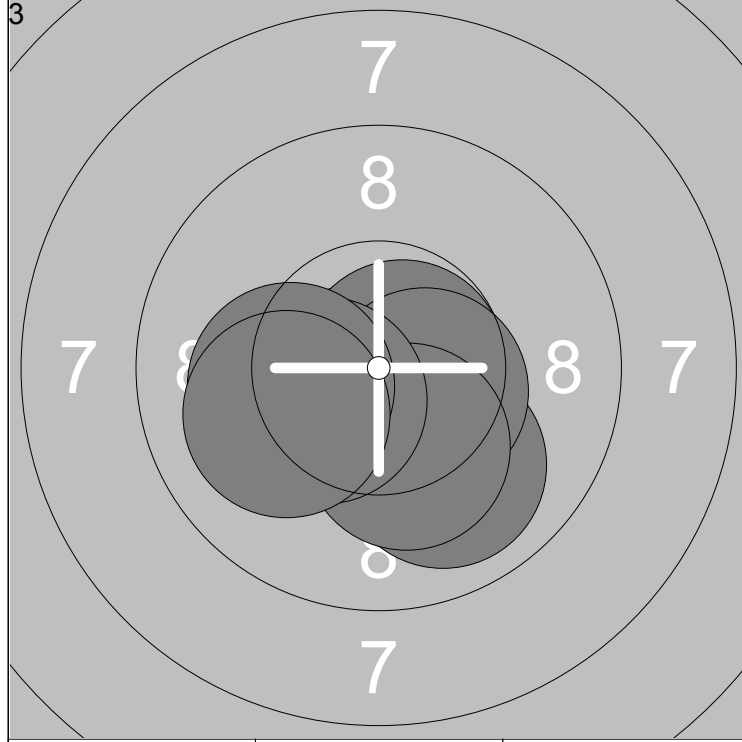
1: 9.4 →	6: 10.9x ↗	Series	96.8
2: 8.0 ←	7: 9.6 ↖		
3: 10.7x ↑	8: 9.7 ↖	299.6	
4: 8.9 ←	9: 10.0 ↑		
5: 9.4 →	10: 10.2x ↖		

1: 10.0 ↖	6: 8.8 ←	Series	98.0
2: 10.4x ↑	7: 10.2x ↖		
3: 9.8 ↖	8: 10.4x ↘	397.6	
4: 8.5 ↗	9: 10.3x ↗		
5: 9.7 ↖	10: 9.9 →		



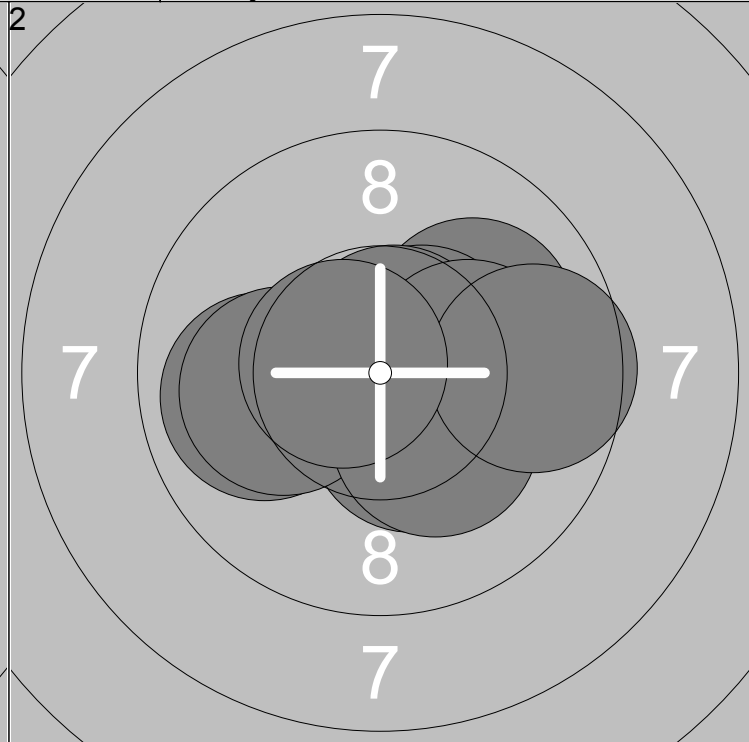
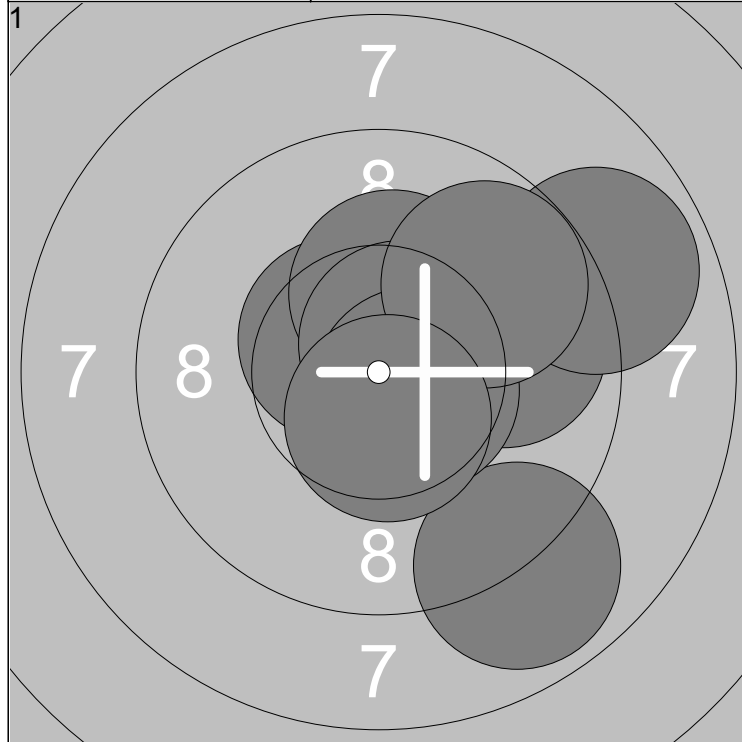
1: 10.3x →	6: 10.8x →	Series	106.0
2: 10.5x ←	7: 10.7x ↓		
3: 10.8x ↙	8: 10.5x ↙	106.0	
4: 10.6x ↓	9: 10.5x ↓		
5: 10.6x ↓	10: 10.7x ↘		

1: 9.9 ↓	6: 10.1 ↗	Series	103.9
2: 10.1 ↗	7: 10.5x ↗		
3: 10.3x ↘	8: 10.7x ↙	209.9	
4: 10.6x ↓	9: 10.5x ←		
5: 10.7x ↑	10: 10.5x ↗		



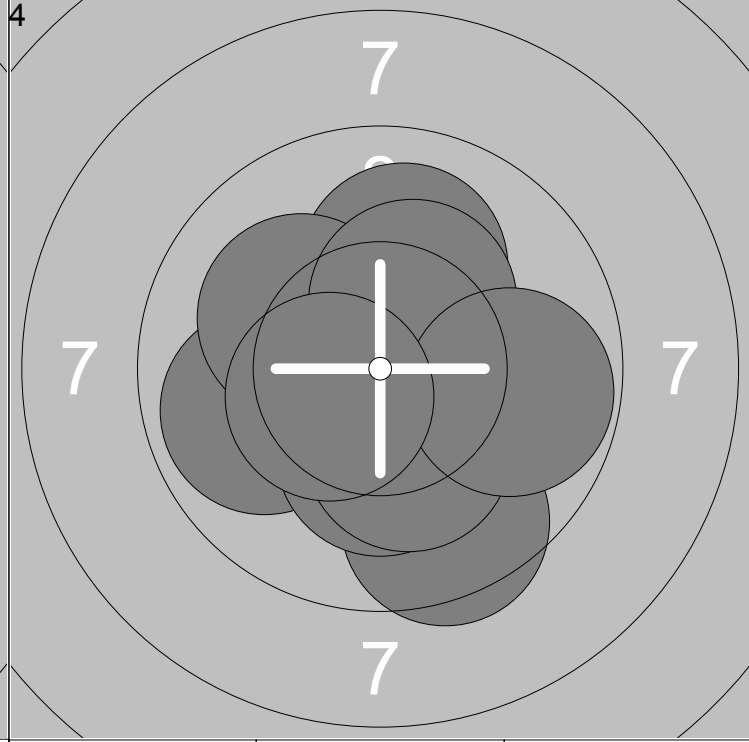
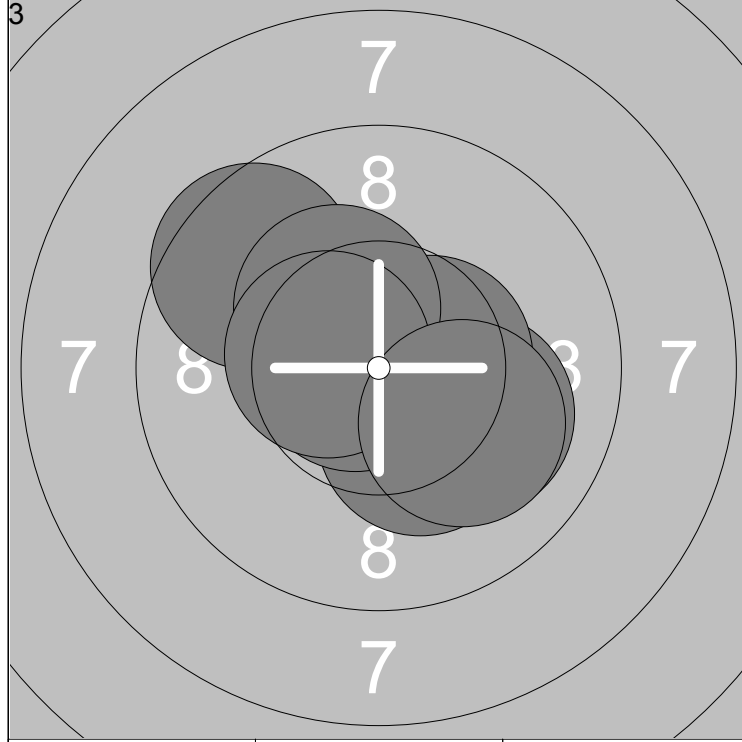
1: 10.7x ↙	6: 10.5x →	Series	103.5
2: 10.4x ↓	7: 10.2x ↓		
3: 10.0 ↓	8: 10.4x ↙	313.4	
4: 10.3x ↓	9: 10.2x ←		
5: 10.7x →	10: 10.1 ↙		

1: 10.3x ↙	6: 10.5x ←	Series	105.4
2: 10.5x ↓	7: 10.5x ↗		
3: 10.8x ↙	8: 10.7x ↑	418.8	
4: 10.5x ↑	9: 10.6x →		
5: 10.7x ↘	10: 10.3x →		



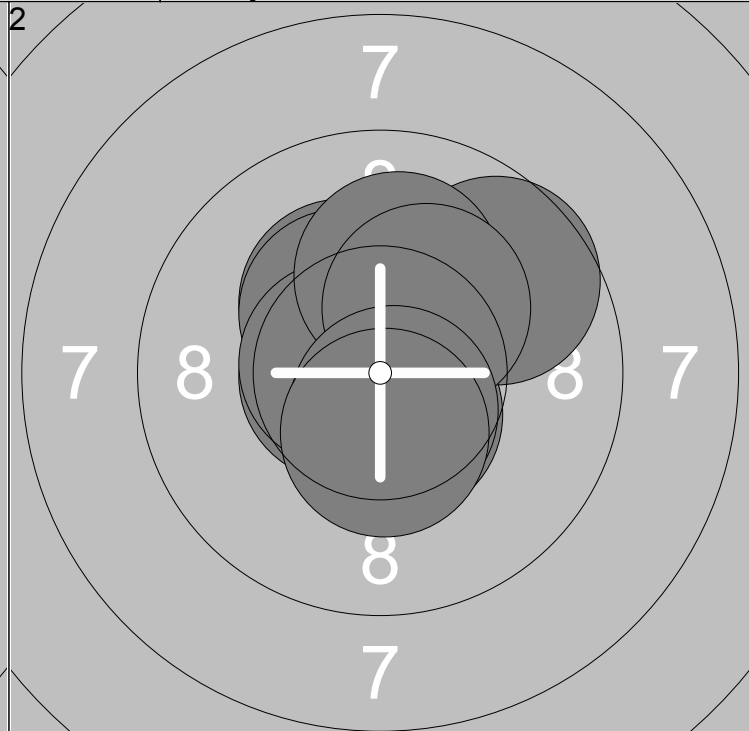
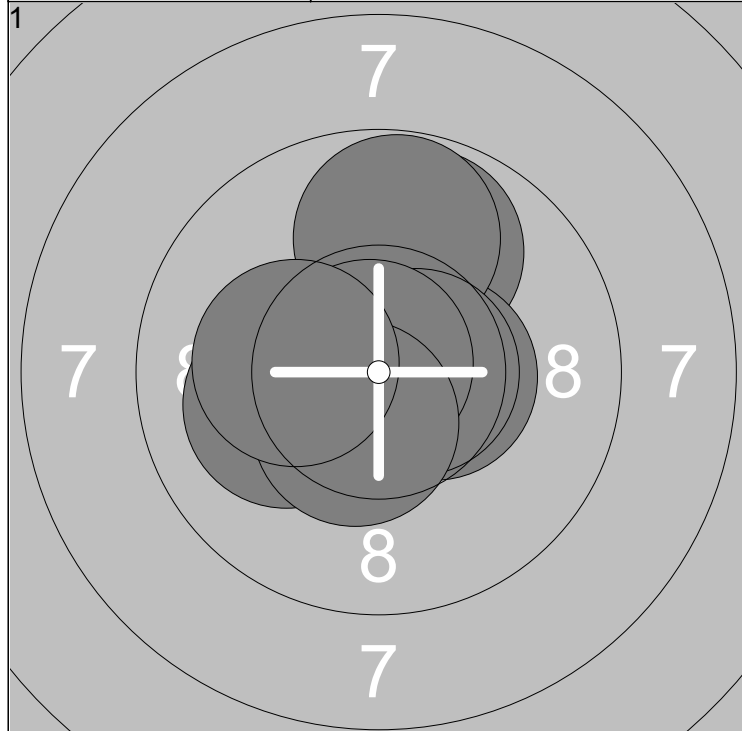
1: 10.6x ↗	6: 10.6x ↗	Series	100.6
2: 10.5x ↗	7: 8.9 →		
3: 8.9 ↘	8: 10.6x →	100.6	
4: 9.9 →	9: 9.8 ↗		
5: 10.2x ↑	10: 10.6x ↓		

1: 10.0 ↗	6: 10.1 ←	Series	102.2
2: 10.4x ↘	7: 10.2x →		
3: 10.5x ↗	8: 10.2x ↘	202.8	
4: 9.9 ←	9: 9.6 →		
5: 10.7x ↗	10: 10.6x ←		



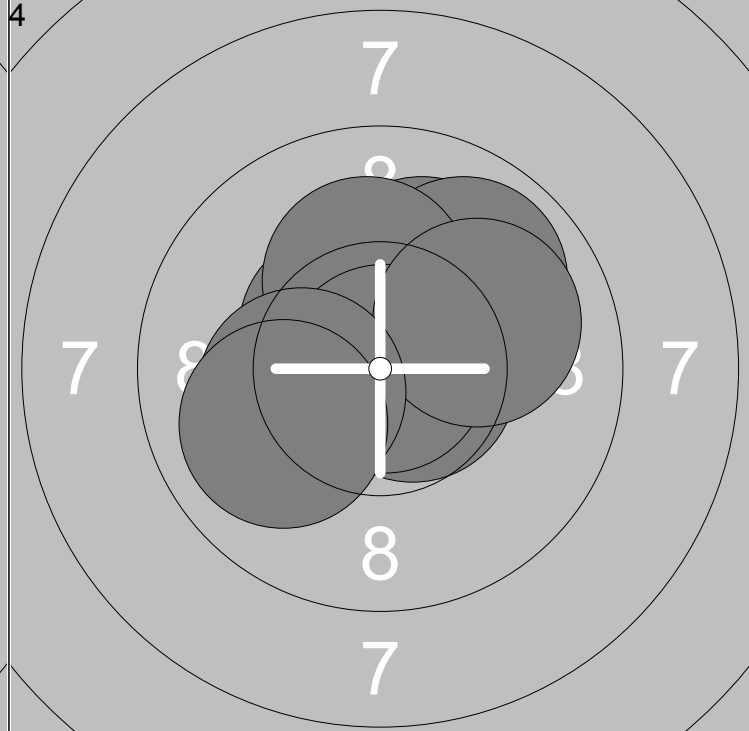
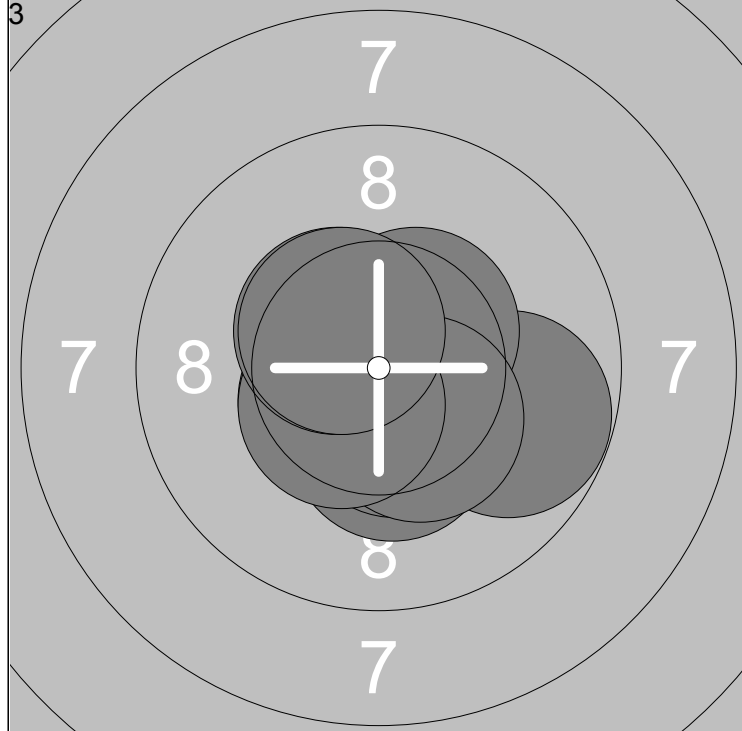
1: 10.6x ↘	6: 10.5x →	Series	103.2
2: 10.3x ↘	7: 9.5 ↗		
3: 10.0 ↘	8: 10.3x ↗	306.0	
4: 10.6x ↗	9: 10.5x ←		
5: 10.8x ←	10: 10.1 ↘		

1: 9.9 ←	6: 9.5 ↘	Series	100.9
2: 10.5x ↑	7: 10.2x ↘		
3: 10.0 ↑	8: 10.2x ↘	406.9	
4: 10.1 ←	9: 9.8 →		
5: 10.3x ↗	10: 10.4x ←		



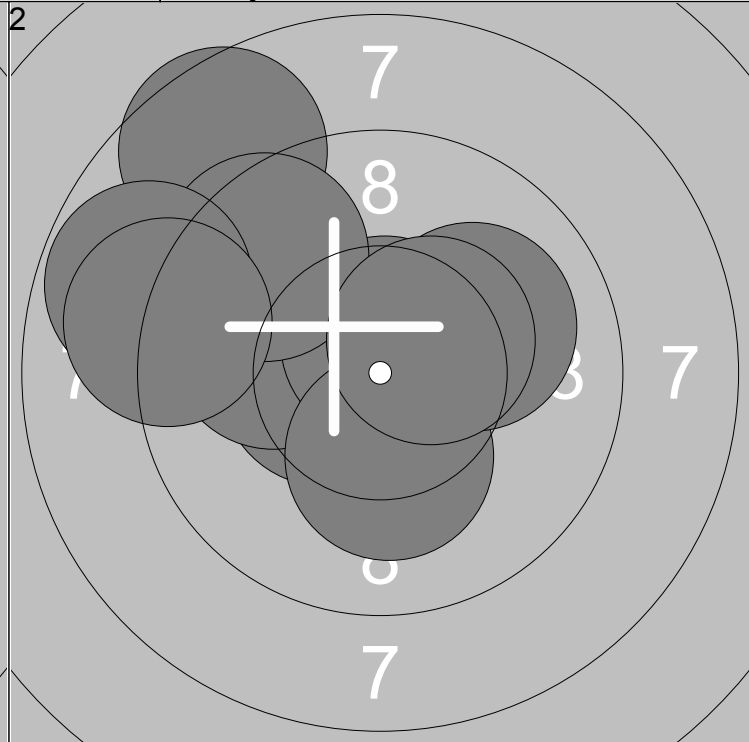
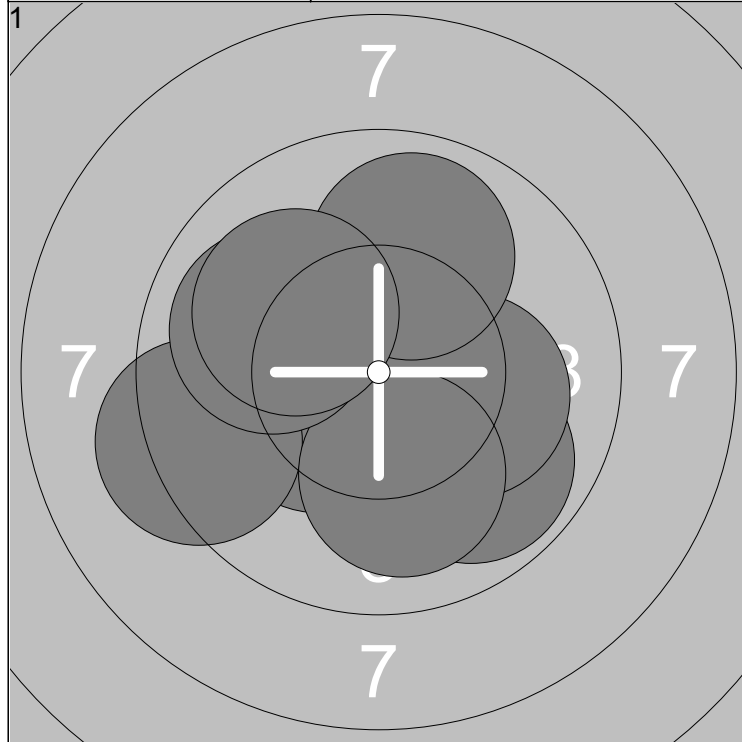
1: 10.1 ←	6: 10.9x ↓	Series	104.0
2: 9.9 ↑	7: 10.6x →		
3: 10.6x ↗	8: 10.9x ↖	104.0	
4: 10.5x →	9: 10.5x ↘		
5: 9.8 ↑	10: 10.2x ←		

1: 10.6x ←	6: 10.1 ↑	Series	103.5
2: 10.3x ↗	7: 10.6x ↓		
3: 10.4x ↗	8: 10.2x ↗	207.5	
4: 9.7 ↗	9: 10.6x ↓		
5: 10.6x ←	10: 10.4x ↓		



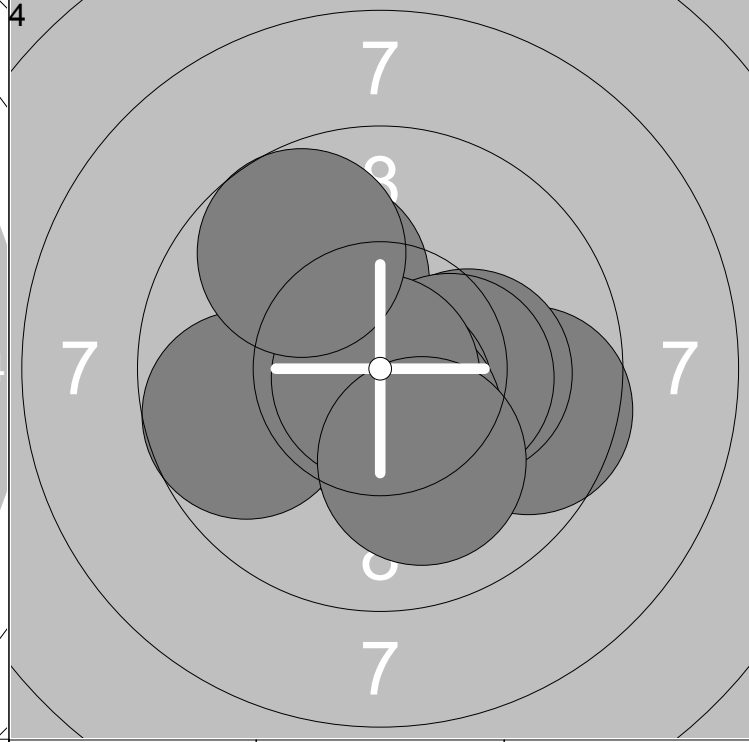
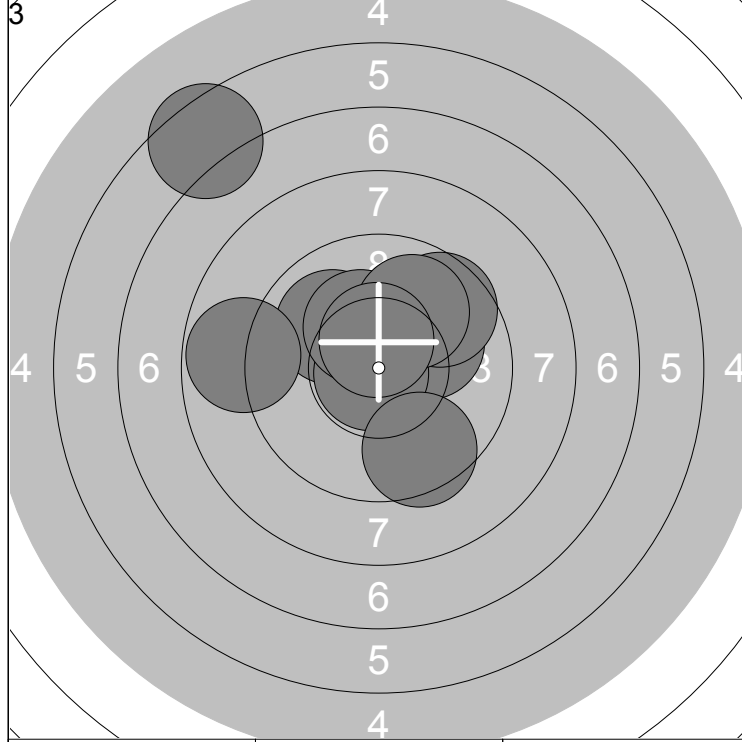
1: 9.7 →	6: 10.5x ↓	Series	104.2
2: 10.5x ↖	7: 10.4x ↓		
3: 10.4x ↓	8: 10.5x ↖	311.7	
4: 10.7x →	9: 10.5x ↗		
5: 10.5x ↗	10: 10.5x ↖		

1: 10.8x ↑	6: 10.2x ↑	Series	103.3
2: 10.6x →	7: 10.9x →		
3: 10.1 ↑	8: 10.0 ↗	415.0	
4: 9.9 ↗	9: 10.3x ←		
5: 10.5x ↖	10: 10.0 ↖		



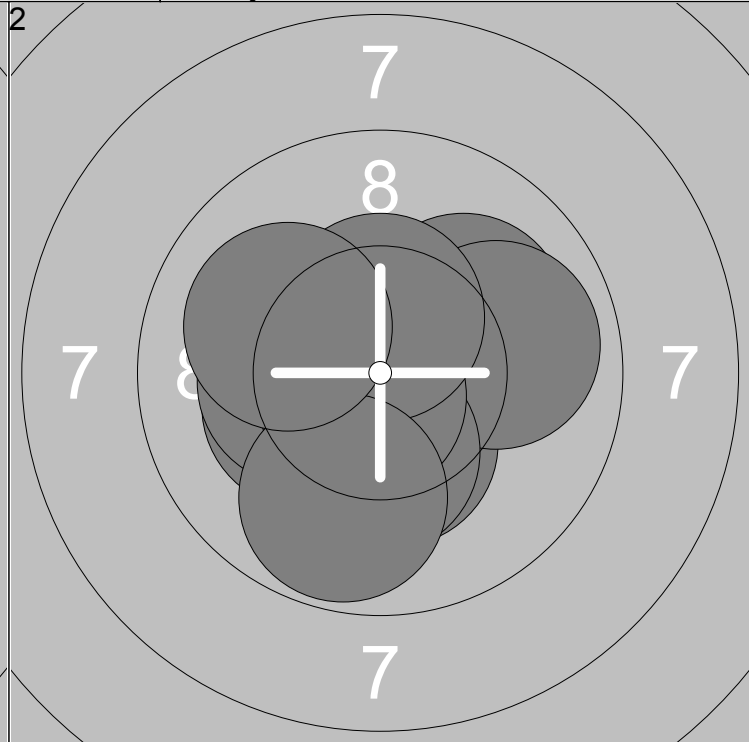
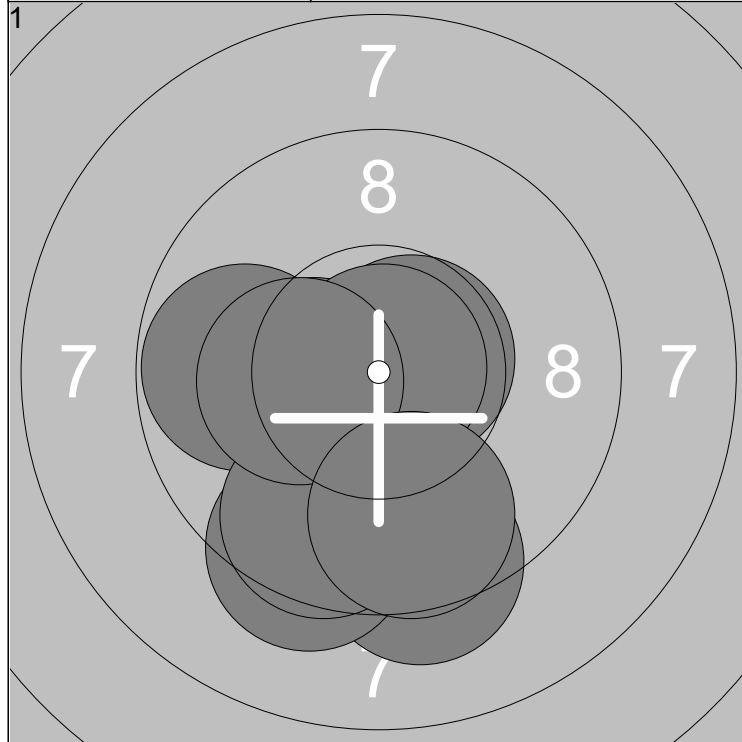
1: 10.3x ↙	6: 10.2x →	Series	100.6
2: 10.5x ↘	7: 10.0 ↓		
3: 10.6x ←	8: 10.0 ↖	100.6	
4: 9.8 ↘	9: 9.9 ↗		
5: 9.3 ↖	10: 10.0 ↖		

1: 8.6 ↗	6: 9.5 ↗	Series	97.6
2: 10.4x ←	7: 10.0 ↗		
3: 10.0 ←	8: 8.8 ↖	198.2	
4: 10.6x ↗	9: 9.1 ↖		
5: 10.2x ↘	10: 10.4x ↗		



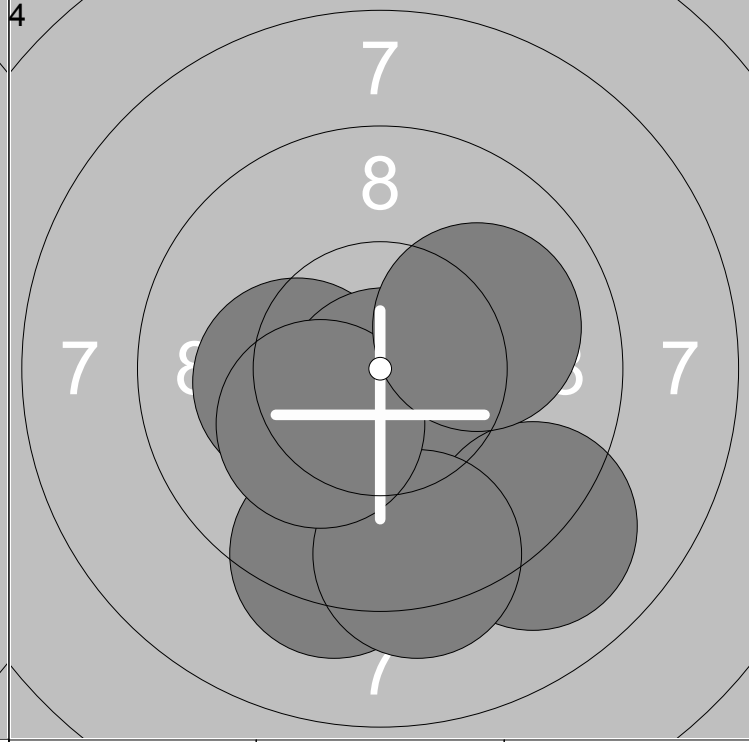
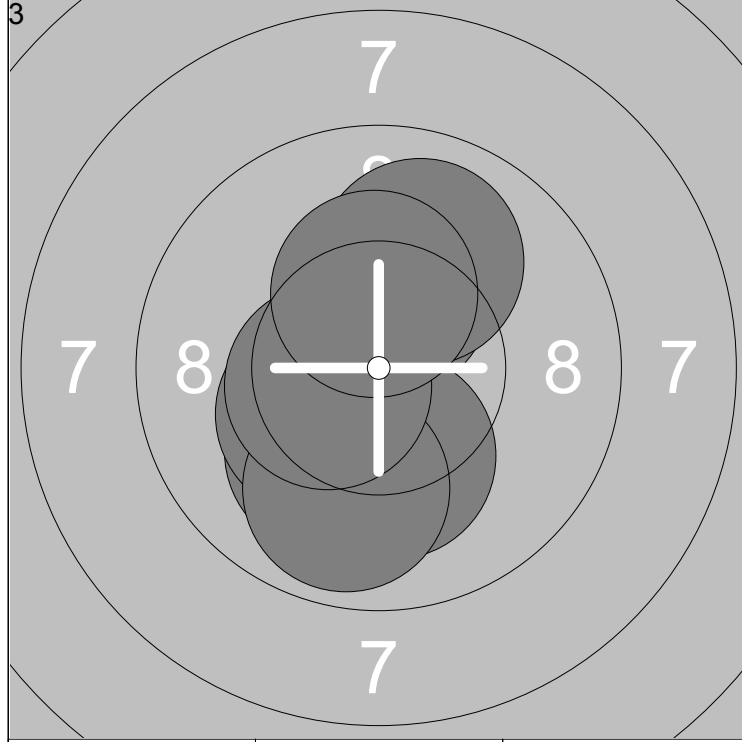
1: 10.0 ↗	6: 9.6 ↗	Series	96.0
2: 6.5 ↗	7: 10.3x ↗		
3: 8.8 ←	8: 9.9 ↗	294.2	
4: 10.1 ↗	9: 10.5x ↗		
5: 10.8x ↖	10: 9.5 ↘		

1: 10.1 ↗	6: 10.5x ↘	Series	101.8
2: 9.6 →	7: 9.7 ←		
3: 10.2x →	8: 10.8x ↘	396.0	
4: 10.4x →	9: 9.7 ↗		
5: 10.7x ↘	10: 10.1 ↘		



1: 10.6x →	6: 9.3 ↓	Series	100.2
2: 9.8 ←	7: 9.6 ↓		
3: 10.3x ↓	8: 10.9x ↗	Series	100.2
4: 10.4x ←	9: 10.3x ←		
5: 9.3 ↓	10: 9.7 ↓		

1: 10.1 ↗	6: 10.3x ↓	Series	102.1
2: 10.2x ↙	7: 10.7x ↙		
3: 10.3x ↓	8: 10.5x ↑	Series	202.3
4: 9.9 →	9: 9.8 ↓		
5: 10.3x ←	10: 10.0 ↖		



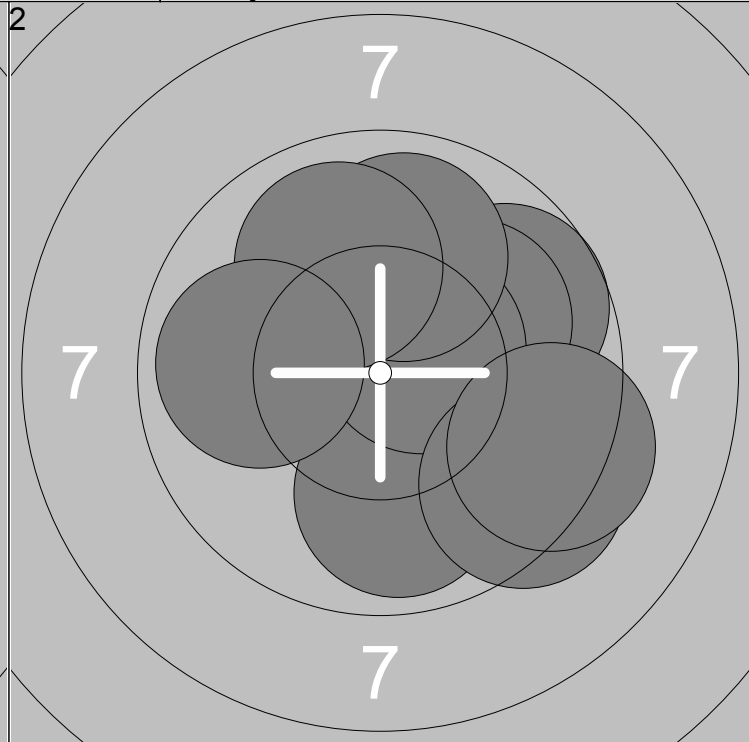
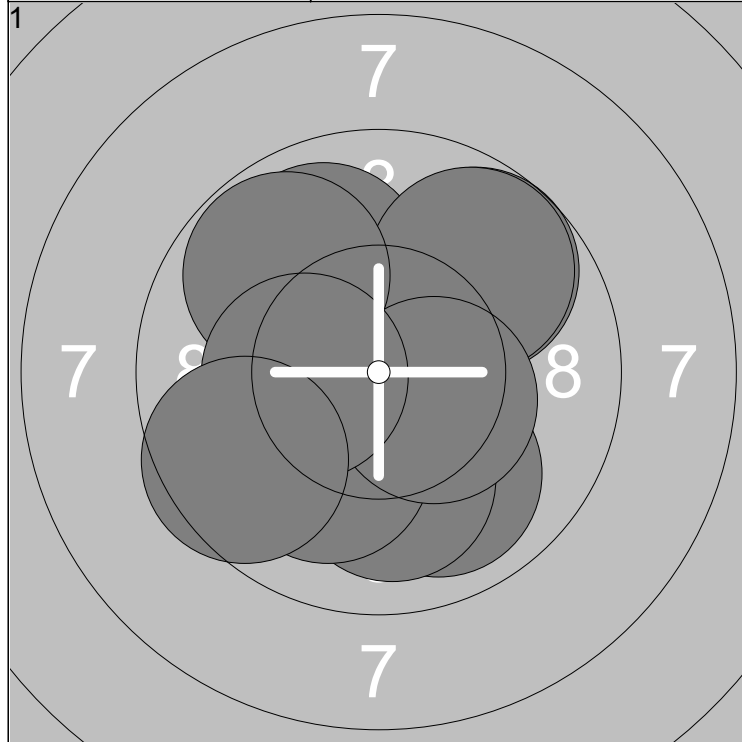
1: 10.1 ↙	6: 10.2x ↓	Series	101.9
2: 10.3x ↑	7: 10.3x ↙		
3: 10.0 ↗	8: 9.9 ↓	Series	304.2
4: 10.2x ↓	9: 10.5x ↖		
5: 10.1 ↙	10: 10.3x ↑		

1: 10.2x ←	6: 9.3 ↓	Series	98.7
2: 9.9 ↓	7: 9.1 ↘		
3: 10.4x ↓	8: 9.3 ↓	Series	402.9
4: 10.7x ↓	9: 10.2x ↙		
5: 9.6 ↓	10: 10.0 →		

Relay 3	Lane 14	Kevin Westberg
-------------------	-------------------	-----------------------

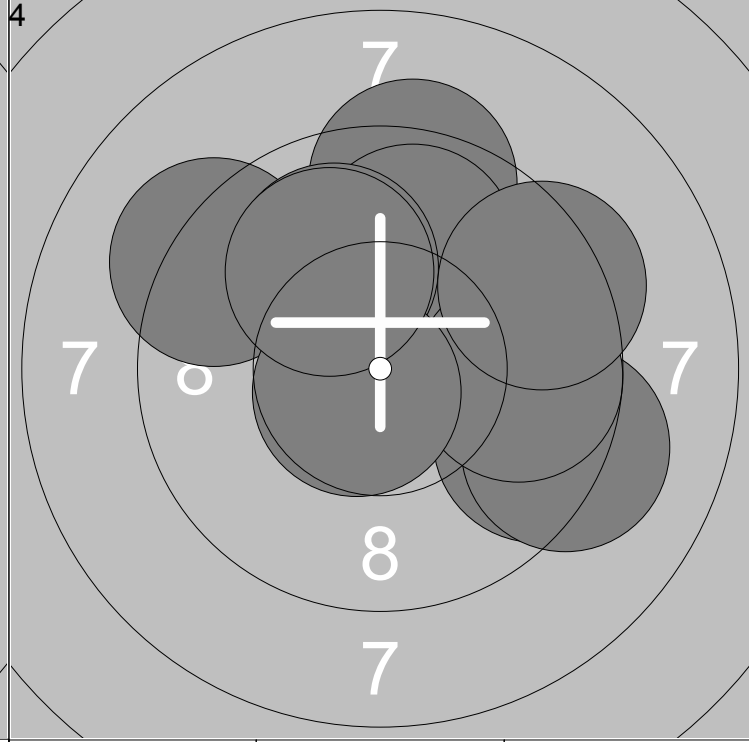
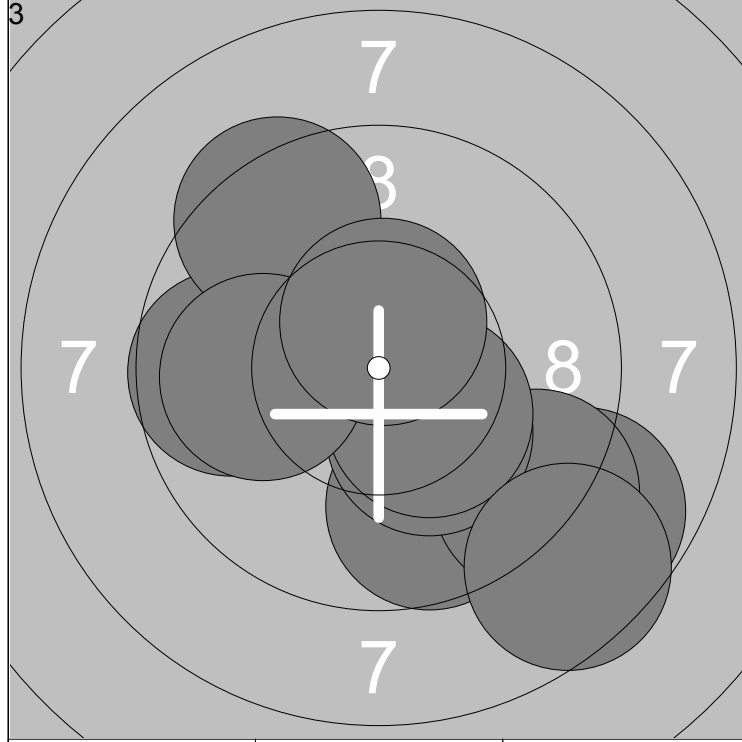
Qualification	SWE	Rifle
---------------	-----	-------

2015-10-2/3/4	EYL	Söraby SKF
---------------	-----	------------



1: 9.9 ↘	6: 9.8 ↗	Series	99.5
2: 10.0 ↓	7: 9.8 ↗		
3: 9.9 ↗	8: 10.4x ↘	99.5	
4: 9.7 ↗	9: 10.3x ←		
5: 10.1 ↙	10: 9.6 ↙		

1: 10.4x ↗	6: 9.4 ↘	Series	99.1
2: 9.9 ↓	7: 9.3 ↘		
3: 9.7 ↗	8: 9.9 ↑	198.6	
4: 10.1 ↗	9: 10.0 ↑		
5: 10.5x ↗	10: 9.9 ←		



1: 9.7 ←	6: 10.2x ↘	Series	96.5
2: 8.8 ↘	7: 10.3x ↘		
3: 9.7 ↘	8: 8.6 ↘	295.1	
4: 9.4 ↗	9: 10.0 ←		
5: 9.2 ↘	10: 10.6x ↑		

1: 9.3 ↗	6: 10.0 ↑	Series	97.1
2: 9.5 ↘	7: 9.8 →		
3: 9.3 ↑	8: 10.7x ↘	392.2	
4: 9.2 ↘	9: 9.4 ↗		
5: 9.9 ↑	10: 10.0 ↑		