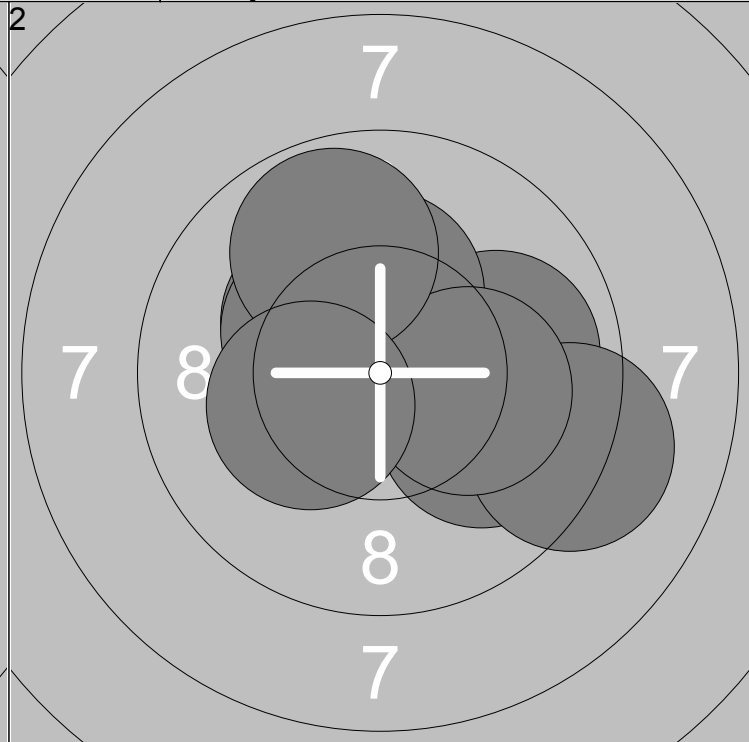
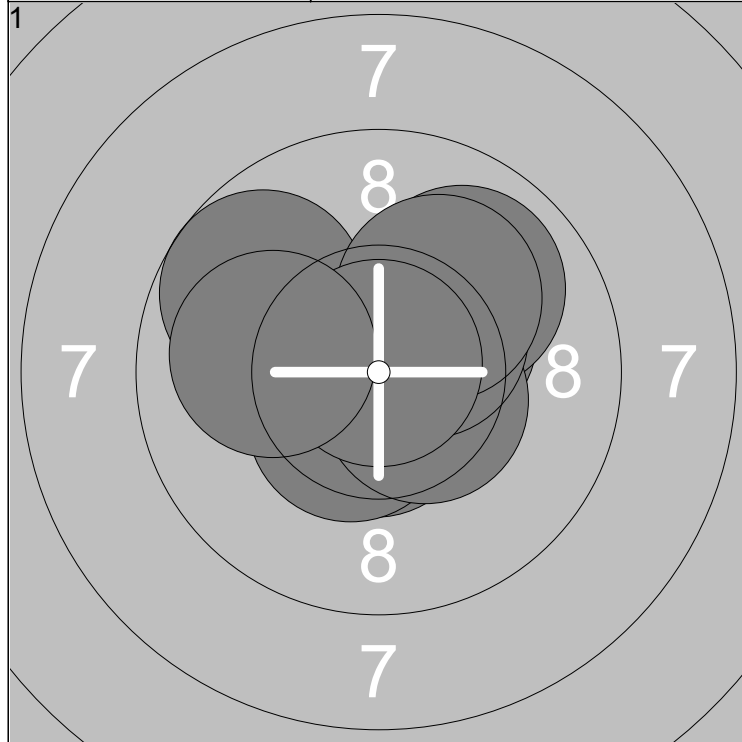


| | | | | | | | |
|-------------------|------------------|-------------------------|--|--|--|--|--|
| Relay 2 | Lane 2 | Stevan Jovanovic | | | | | |
|-------------------|------------------|-------------------------|--|--|--|--|--|

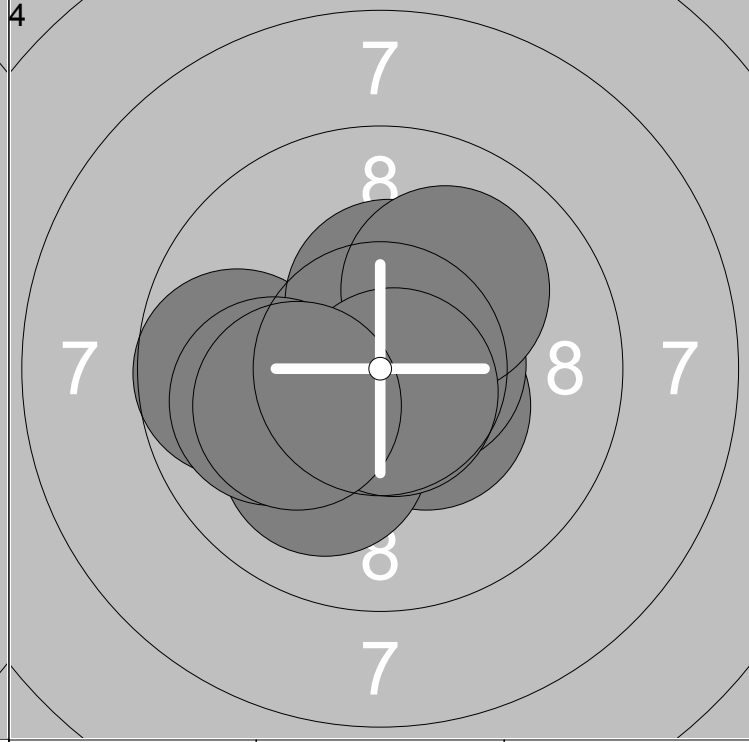
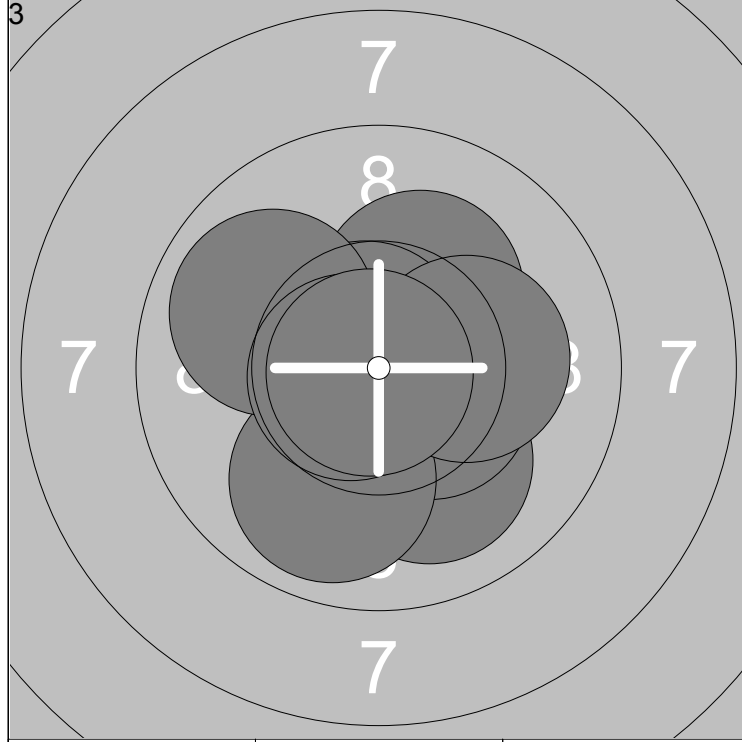
| | | | |
|----------------------|-----|--------------|--|
| Qualification | SRB | Rifle | |
|----------------------|-----|--------------|--|

| | | |
|---------------|-----|-------------------|
| 2015-10-2/3/4 | EYL | Söraby SKF |
|---------------|-----|-------------------|



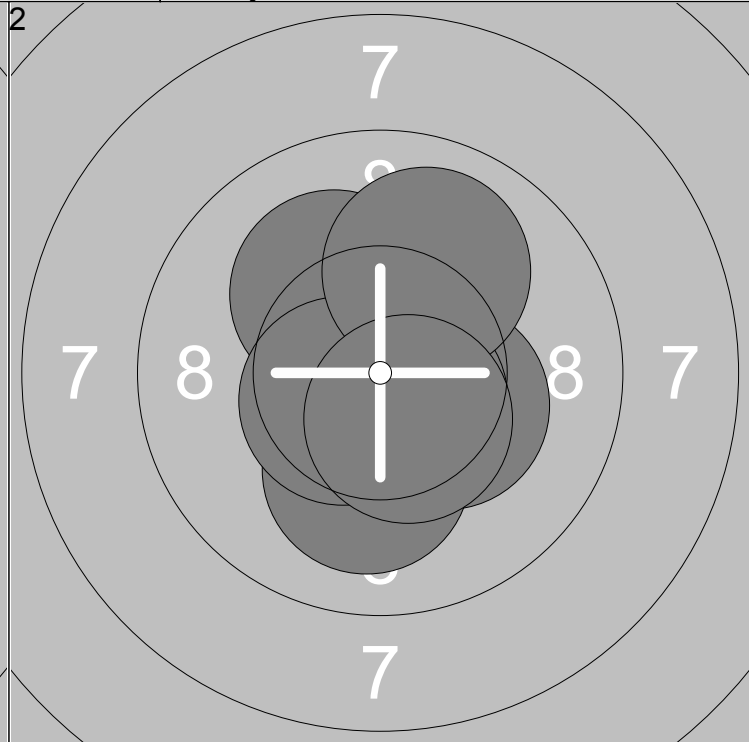
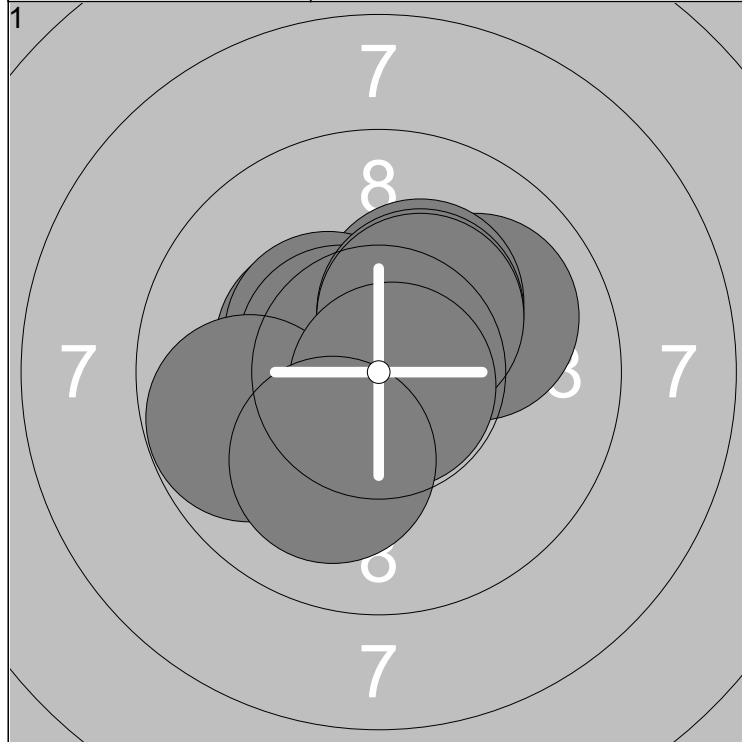
| | | |
|------------|------------|--------------|
| 1: 10.4x ↗ | 6: 10.5x ↘ | Series 103.1 |
| 2: 9.7 ↖ | 7: 10.5x ↗ | |
| 3: 9.9 ↗ | 8: 10.1 ↗ | 103.1 |
| 4: 10.6x ↓ | 9: 10.9x ↑ | |
| 5: 10.5x ↙ | 10: 10.0 ← | |

| | | |
|------------|-------------|--------------|
| 1: 9.9 → | 6: 10.6x ↗ | Series 100.9 |
| 2: 10.0 ↘ | 7: 10.3x ↑ | |
| 3: 10.3x ↗ | 8: 10.2x → | 204.0 |
| 4: 10.3x ↗ | 9: 9.8 ↑ | |
| 5: 9.2 ↘ | 10: 10.3x ↙ | |



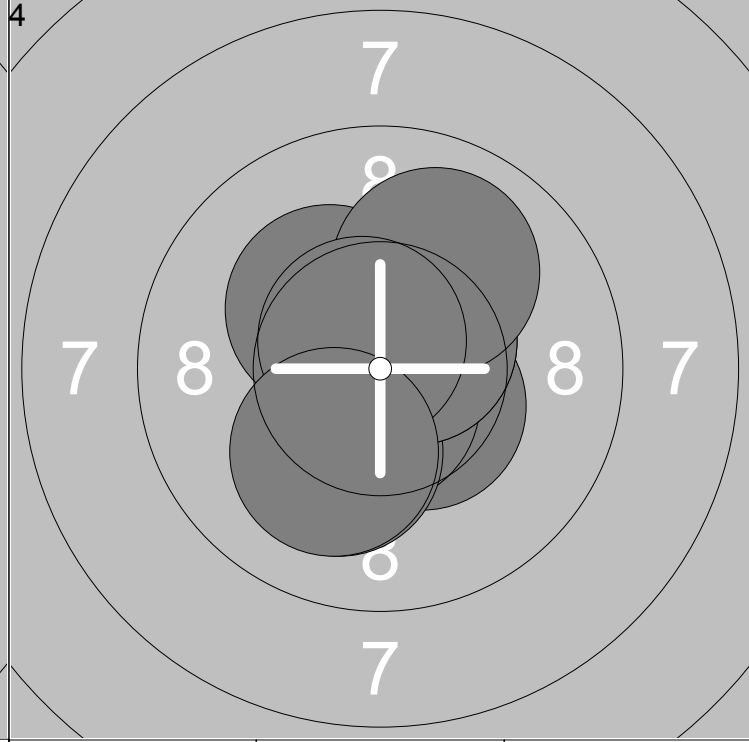
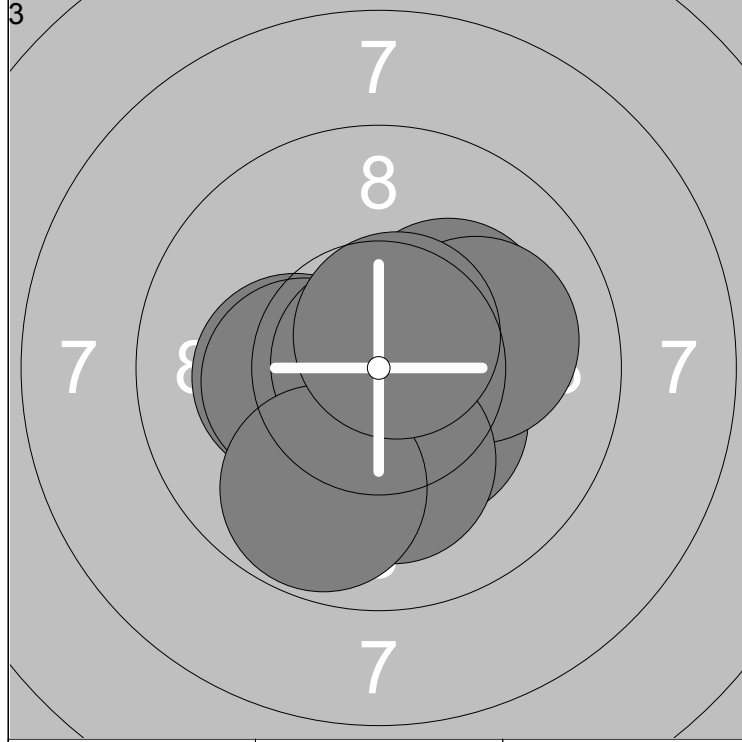
| | | |
|------------|-------------|--------------|
| 1: 10.9x ← | 6: 10.7x ↗ | Series 103.9 |
| 2: 10.0 ↓ | 7: 9.9 ↖ | |
| 3: 10.5x ↘ | 8: 10.2x → | 307.9 |
| 4: 9.9 ↙ | 9: 10.7x ← | |
| 5: 10.2x ↗ | 10: 10.9x ← | |

| | | |
|------------|-------------|--------------|
| 1: 9.7 ← | 6: 10.1 ↙ | Series 102.6 |
| 2: 10.4x ↘ | 7: 10.0 ← | |
| 3: 10.6x → | 8: 10.1 ↗ | 410.5 |
| 4: 10.4x ↑ | 9: 10.7x ↓ | |
| 5: 10.4x ↑ | 10: 10.2x ↙ | |



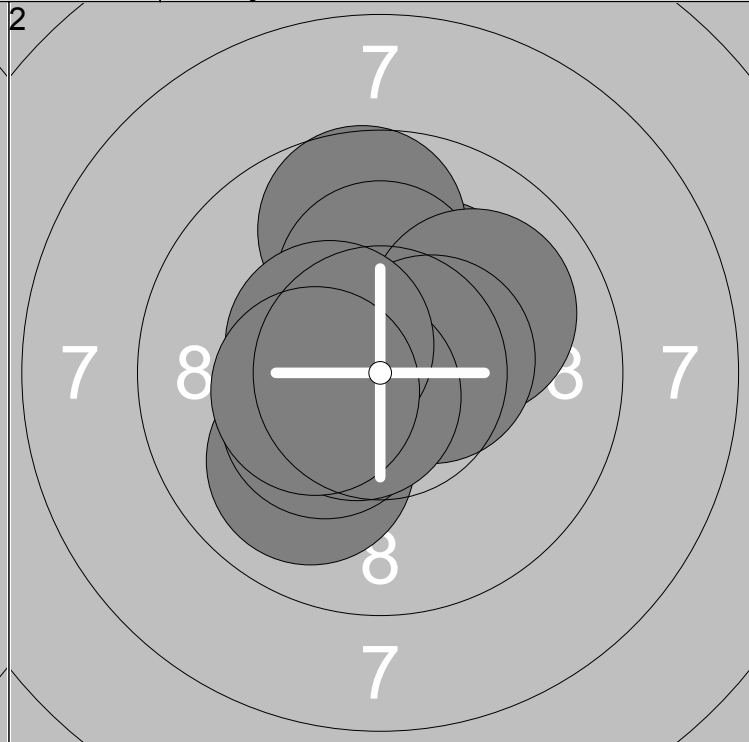
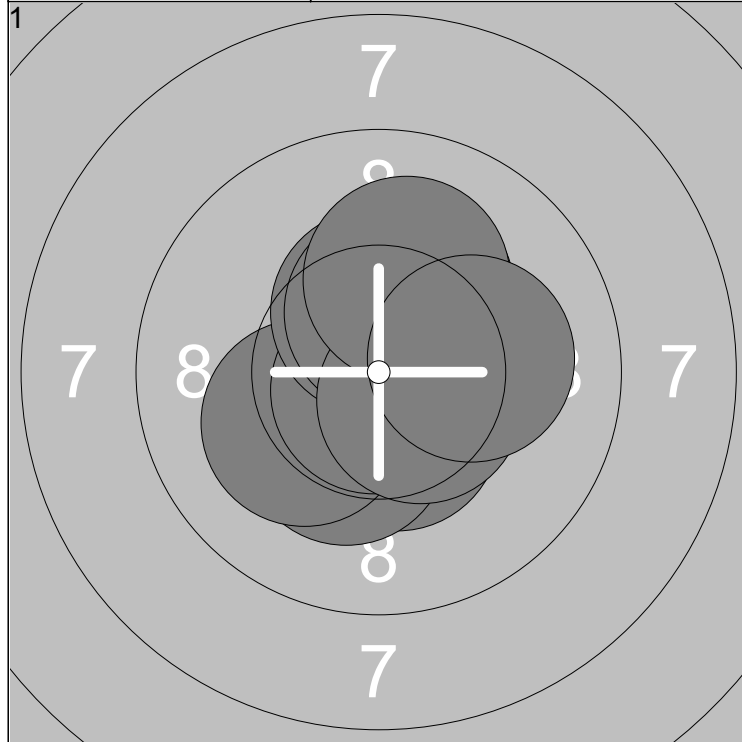
| | | | |
|------------|------------|--------|-------|
| 1: 10.0 ↗ | 6: 9.8 ← | Series | 102.9 |
| 2: 10.4x ↖ | 7: 10.3x ↗ | | |
| 3: 10.2x ↗ | 8: 10.3x ↗ | 102.9 | |
| 4: 10.4x ↖ | 9: 10.8x ↘ | | |
| 5: 10.6x ↖ | 10: 10.1 ↘ | | |

| | | | |
|------------|-------------|--------|-------|
| 1: 10.9x → | 6: 10.1 ↓ | Series | 104.5 |
| 2: 10.6x ↗ | 7: 10.6x ↘ | | |
| 3: 10.8x ↑ | 8: 10.5x ↙ | 207.4 | |
| 4: 10.2x ↖ | 9: 10.0 ↑ | | |
| 5: 10.3x ↘ | 10: 10.5x ↘ | | |



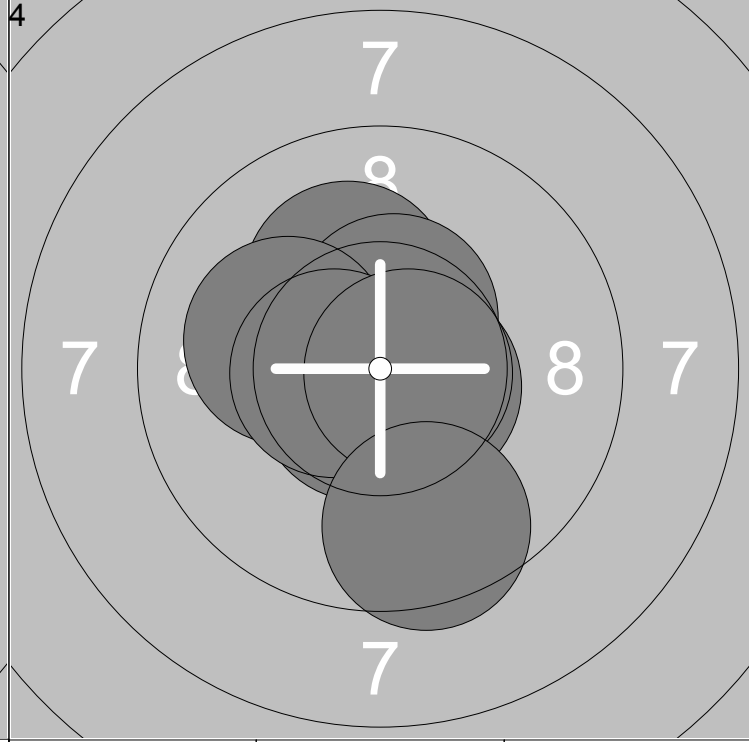
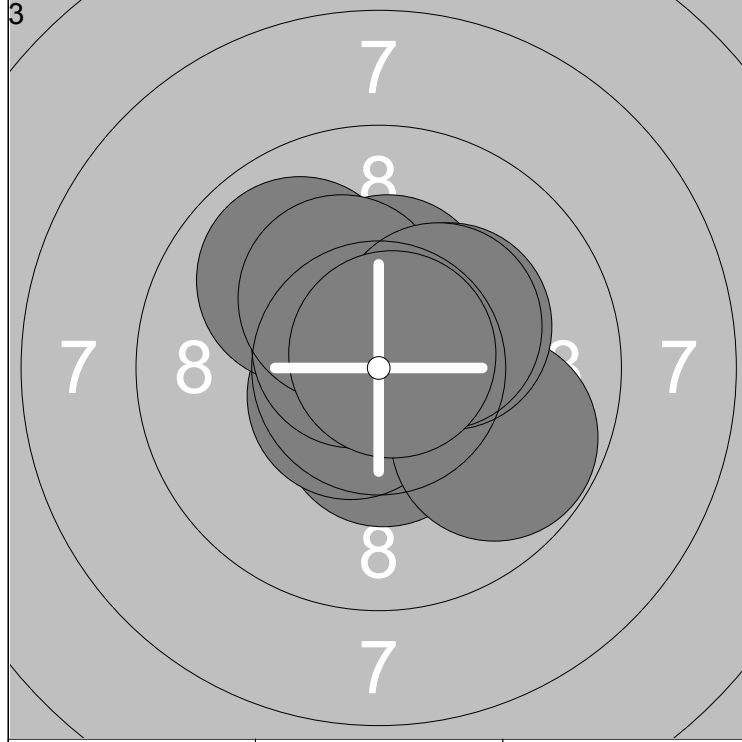
| | | | |
|------------|-------------|--------|-------|
| 1: 10.2x ← | 6: 10.1 → | Series | 103.0 |
| 2: 10.3x ← | 7: 10.9x ↖ | | |
| 3: 10.5x ↓ | 8: 10.1 ↓ | 310.4 | |
| 4: 10.2x ↗ | 9: 9.8 ↘ | | |
| 5: 10.3x ↘ | 10: 10.6x ↗ | | |

| | | | |
|------------|------------|--------|-------|
| 1: 10.5x ↘ | 6: 10.6x ↗ | Series | 103.9 |
| 2: 10.7x ↓ | 7: 10.3x ↖ | | |
| 3: 10.3x ↗ | 8: 10.0 ↑ | 414.3 | |
| 4: 10.1 ↘ | 9: 10.7x ↖ | | |
| 5: 10.6x ↗ | 10: 10.1 ↘ | | |



| | | | |
|------------|------------|--------|-------|
| 1: 10.5x ↓ | 6: 10.4x ↑ | Series | 103.5 |
| 2: 10.3x ↓ | 7: 10.4x ↑ | | |
| 3: 10.2x ↑ | 8: 10.5x ↘ | Series | 103.5 |
| 4: 10.2x ← | 9: 10.1 ↑ | | |
| 5: 10.8x ↓ | 10: 10.1 → | | |

| | | | |
|------------|-------------|--------|-------|
| 1: 10.2x ↗ | 6: 10.5x → | Series | 102.5 |
| 2: 9.7 ↑ | 7: 10.3x ↙ | | |
| 3: 10.0 ↙ | 8: 10.7x ↙ | Series | 206.0 |
| 4: 10.2x ↑ | 9: 10.5x ↖ | | |
| 5: 10.0 ↗ | 10: 10.4x ← | | |



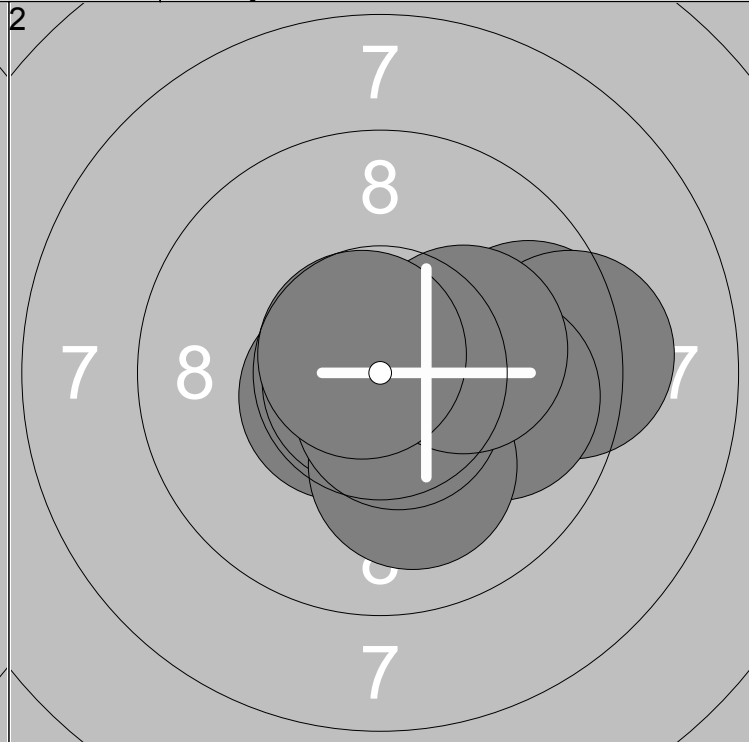
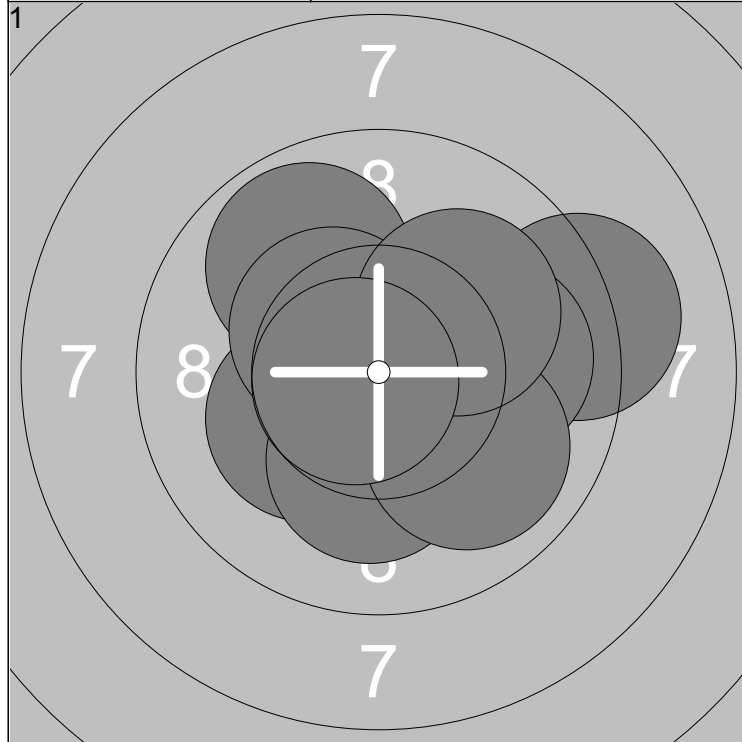
| | | | |
|------------|-------------|--------|-------|
| 1: 10.5x ↓ | 6: 10.7x ↖ | Series | 103.4 |
| 2: 10.6x ↙ | 7: 10.2x ↗ | | |
| 3: 9.8 ↘ | 8: 10.3x ↗ | Series | 309.4 |
| 4: 9.9 ↖ | 9: 10.3x ↗ | | |
| 5: 10.3x ↑ | 10: 10.8x ↗ | | |

| | | | |
|------------|------------|--------|-------|
| 1: 10.7x ↙ | 6: 10.5x ↑ | Series | 104.1 |
| 2: 10.6x ↘ | 7: 10.1 ← | | |
| 3: 10.6x ↖ | 8: 10.6x ← | Series | 413.5 |
| 4: 10.6x ↑ | 9: 10.7x → | | |
| 5: 10.2x ↖ | 10: 9.5 ↓ | | |

| | | | |
|-------------------|------------------|-------------------------|--|
| Relay 2 | Lane 5 | Andrija Mikuljan | |
|-------------------|------------------|-------------------------|--|

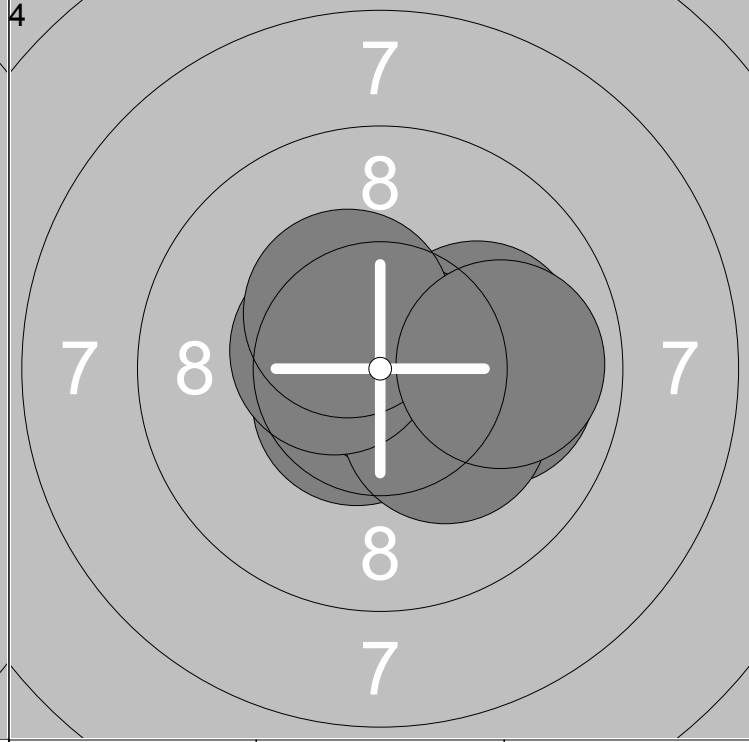
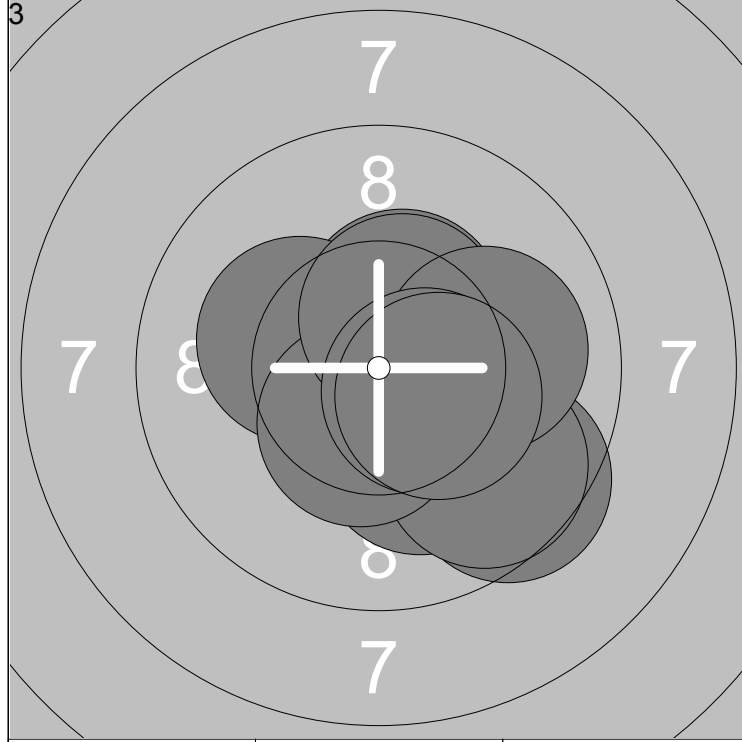
| | | | |
|---------------|-----|-------|--|
| Qualification | CRO | Rifle | |
|---------------|-----|-------|--|

| | | |
|---------------|-----|------------|
| 2015-10-2/3/4 | EYL | Söraby SKF |
|---------------|-----|------------|



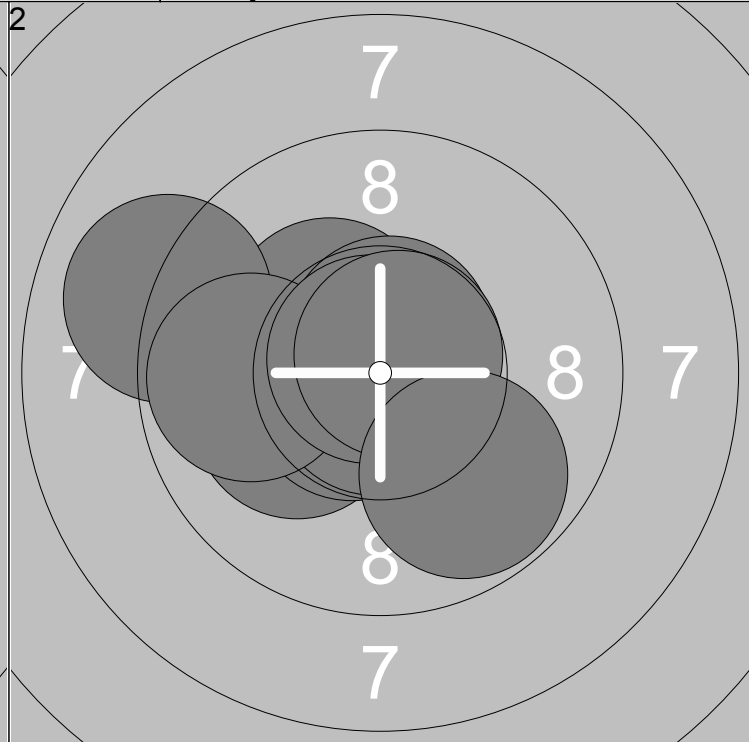
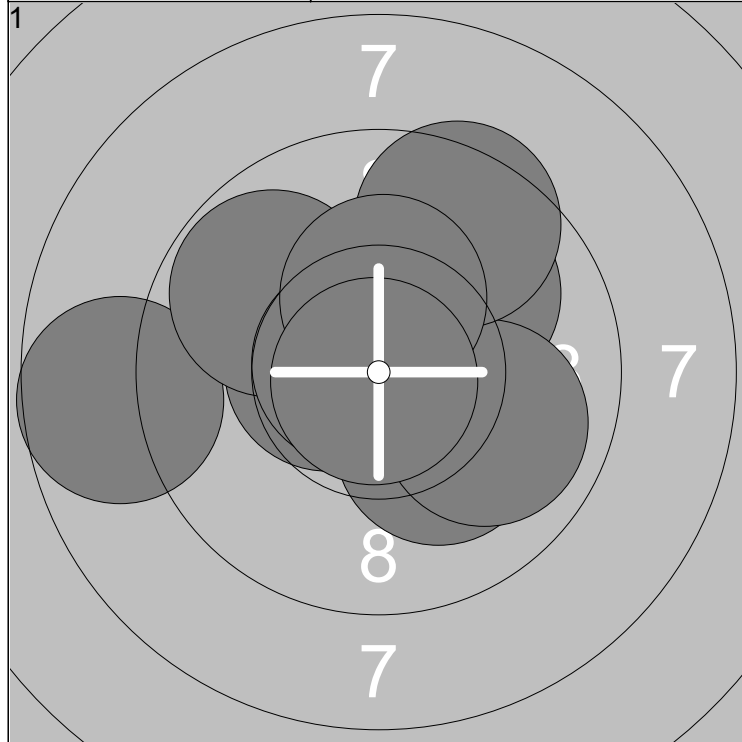
| | | | |
|------------|-------------|--------|-------|
| 1: 10.2x ↙ | 6: 10.0 → | Series | 100.9 |
| 2: 9.8 ↗ | 7: 10.2x ↓ | | |
| 3: 10.4x ↖ | 8: 10.0 ↘ | | 100.9 |
| 4: 9.2 → | 9: 10.1 ↗ | | |
| 5: 10.3x → | 10: 10.7x ↙ | | |

| | | | |
|------------|-------------|--------|-------|
| 1: 10.6x ↘ | 6: 9.9 → | Series | 102.4 |
| 2: 9.6 → | 7: 10.1 ↓ | | |
| 3: 10.6x ↙ | 8: 10.6x ↘ | | 203.3 |
| 4: 10.8x ↙ | 9: 10.2x → | | |
| 5: 9.3 → | 10: 10.7x ↗ | | |



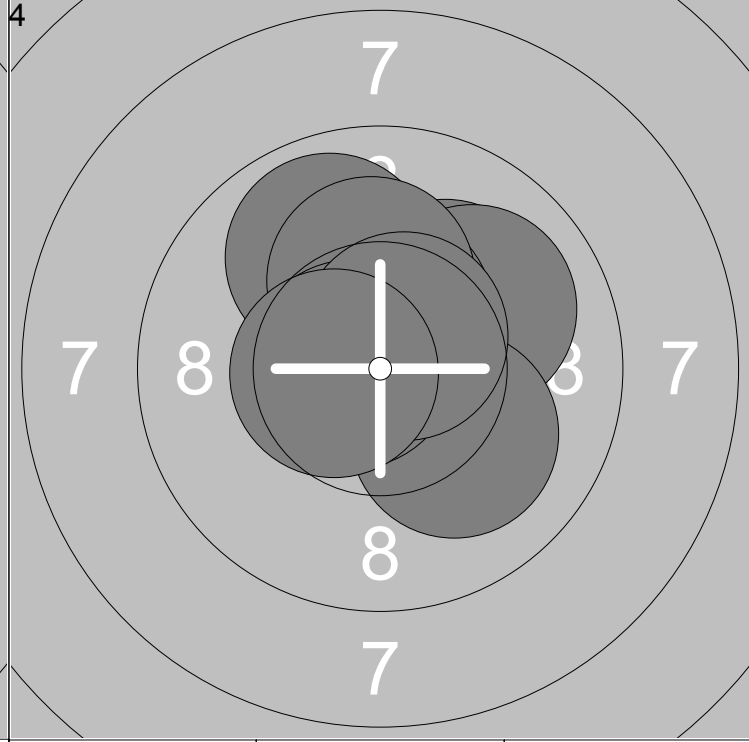
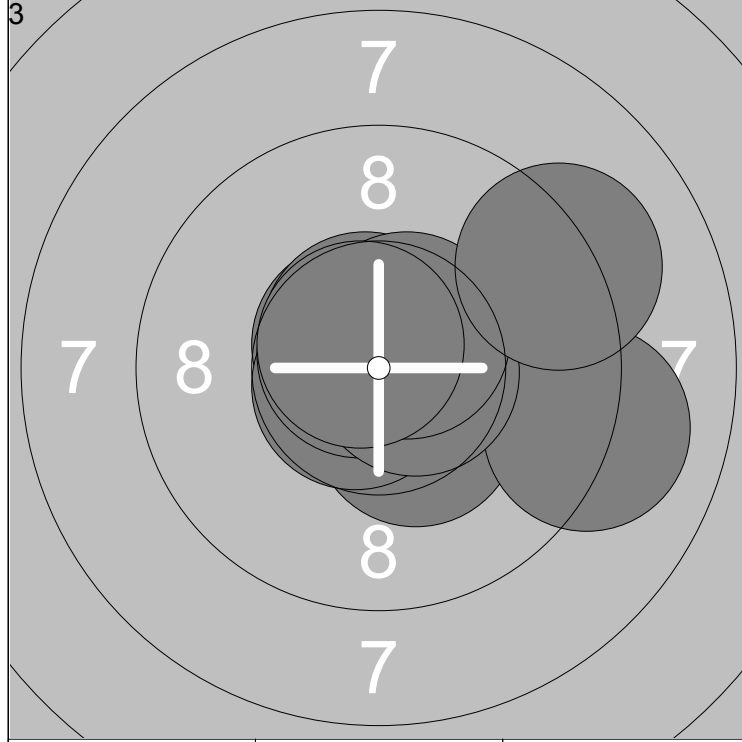
| | | | |
|------------|-------------|--------|-------|
| 1: 10.4x ↗ | 6: 10.4x ↓ | Series | 101.8 |
| 2: 9.5 ↘ | 7: 10.5x ↗ | | |
| 3: 10.2x ↙ | 8: 10.0 → | | 305.1 |
| 4: 10.2x ↘ | 9: 10.5x ↘ | | |
| 5: 9.7 ↘ | 10: 10.4x ↘ | | |

| | | | |
|------------|------------|--------|-------|
| 1: 10.0 → | 6: 10.7x → | Series | 103.6 |
| 2: 10.7x → | 7: 10.2x ↘ | | |
| 3: 10.1 → | 8: 10.5x ↙ | | 408.7 |
| 4: 10.6x ↙ | 9: 10.4x ↗ | | |
| 5: 10.5x → | 10: 9.9 → | | |



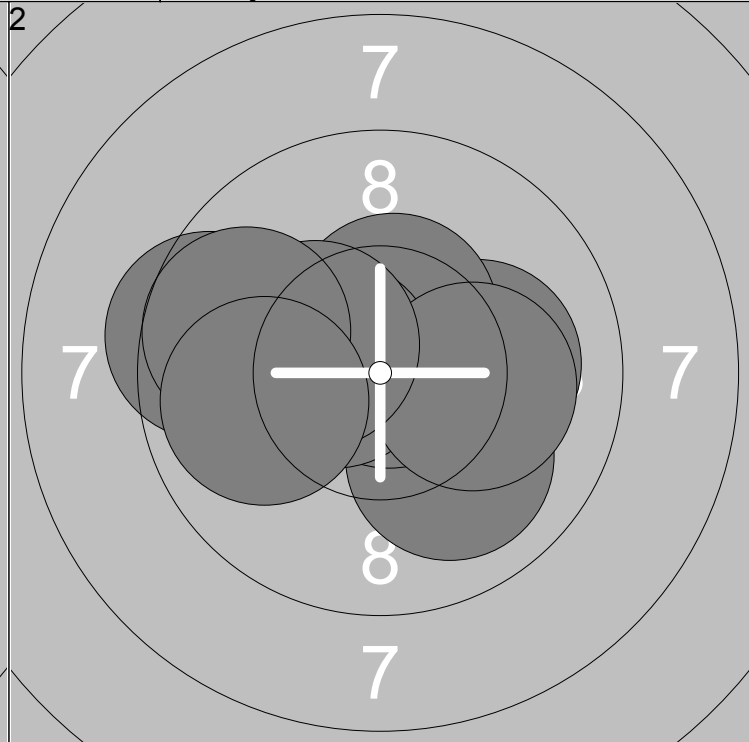
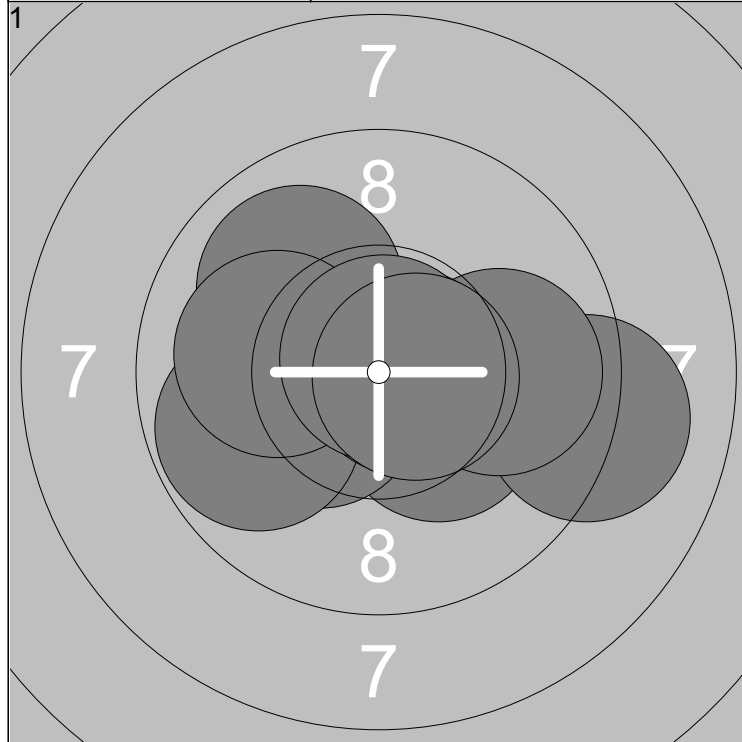
| | | | |
|------------|-------------|--------|-------|
| 1: 10.1 ↘ | 6: 9.8 ↗ | Series | 100.4 |
| 2: 8.7 ← | 7: 9.5 ↗ | | |
| 3: 10.5x ← | 8: 10.7x ← | Series | 100.4 |
| 4: 10.0 ↗ | 9: 10.3x ↑ | | |
| 5: 9.9 ↘ | 10: 10.9x ↘ | | |

| | | | |
|------------|------------|--------|-------|
| 1: 10.3x ↖ | 6: 10.8x ↓ | Series | 102.7 |
| 2: 10.1 ↙ | 7: 9.8 ← | | |
| 3: 10.7x ↑ | 8: 10.8x ↗ | Series | 203.1 |
| 4: 10.7x ↙ | 9: 10.7x ↗ | | |
| 5: 9.0 ← | 10: 9.8 ↘ | | |



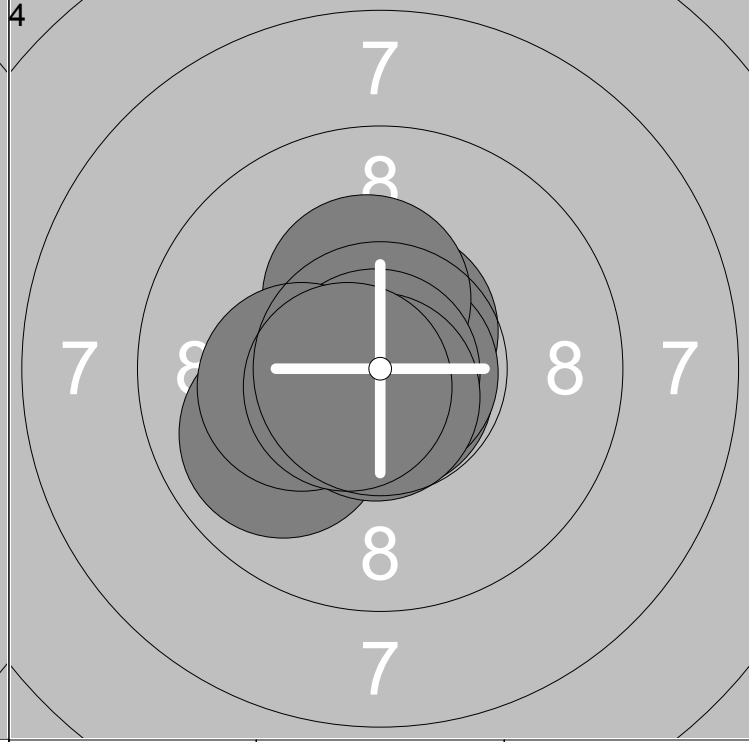
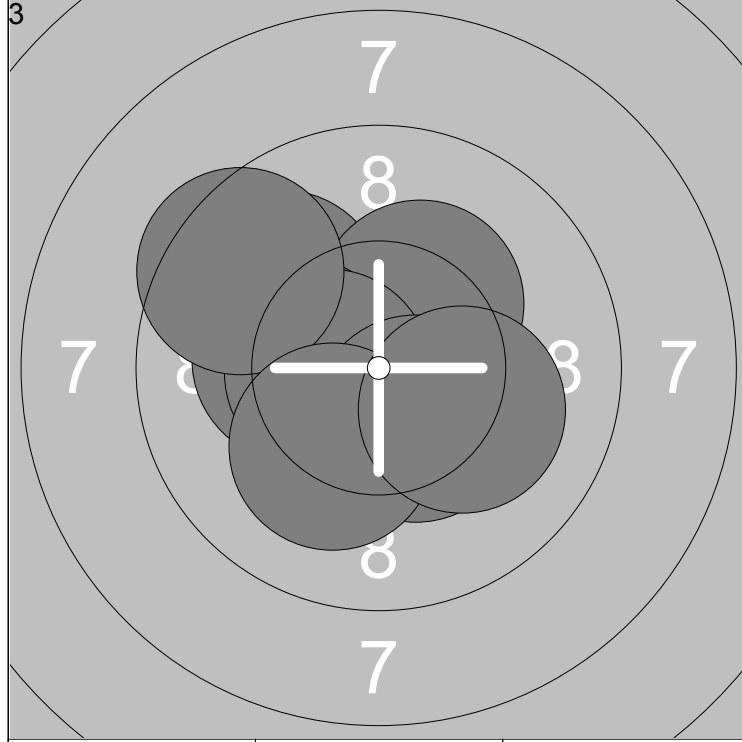
| | | | |
|------------|-------------|--------|-------|
| 1: 10.4x ↘ | 6: 10.8x ↗ | Series | 103.5 |
| 2: 10.7x ↗ | 7: 10.6x → | | |
| 3: 10.7x ↙ | 8: 10.6x ↗ | Series | 306.6 |
| 4: 9.1 → | 9: 9.2 ↗ | | |
| 5: 10.7x ↗ | 10: 10.7x ↖ | | |

| | | | |
|------------|-------------|--------|-------|
| 1: 10.2x ↗ | 6: 10.2x ↑ | Series | 103.6 |
| 2: 10.0 ↗ | 7: 10.1 ↓ | | |
| 3: 10.8x ← | 8: 10.7x ← | Series | 410.2 |
| 4: 10.5x ↑ | 9: 10.6x ↗ | | |
| 5: 9.9 ↖ | 10: 10.6x ← | | |



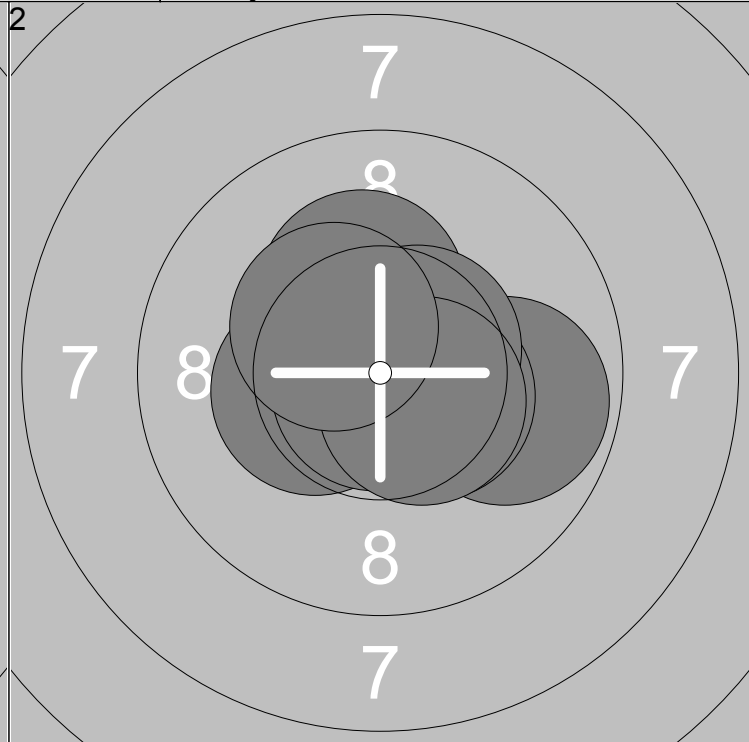
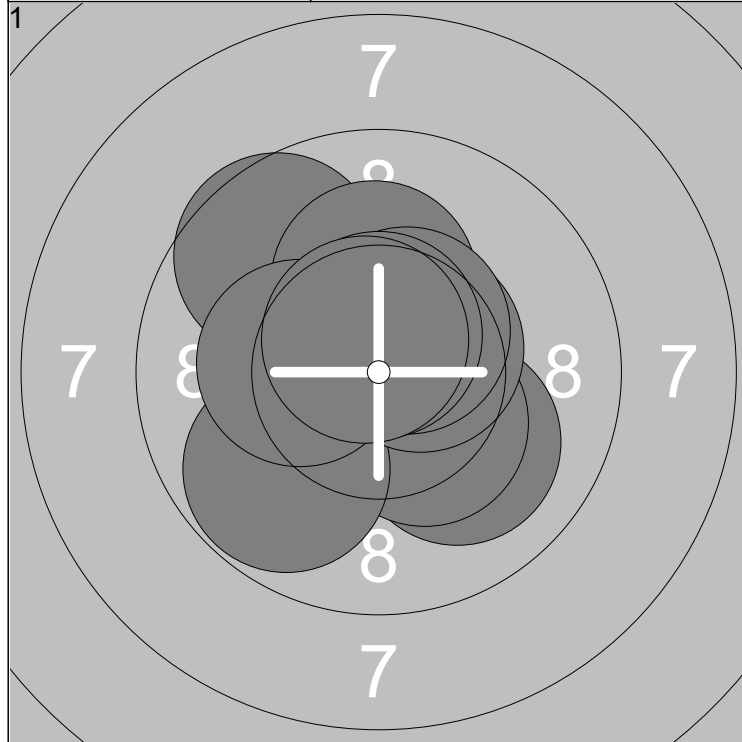
| | | | |
|------------|-------------|--------|-------|
| 1: 10.3x ↘ | 6: 9.8 ← | Series | 101.7 |
| 2: 10.0 ↗ | 7: 10.1 ← | | |
| 3: 10.4x ← | 8: 10.7x → | 101.7 | |
| 4: 9.1 → | 9: 10.8x ↑ | | |
| 5: 9.9 → | 10: 10.6x → | | |

| | | | |
|------------|------------|--------|-------|
| 1: 10.0 ↘ | 6: 10.6x ← | Series | 101.6 |
| 2: 10.1 → | 7: 10.1 → | | |
| 3: 9.4 ← | 8: 10.4x ← | 203.3 | |
| 4: 10.9x ↗ | 9: 9.7 ← | | |
| 5: 10.5x ↑ | 10: 9.9 ← | | |



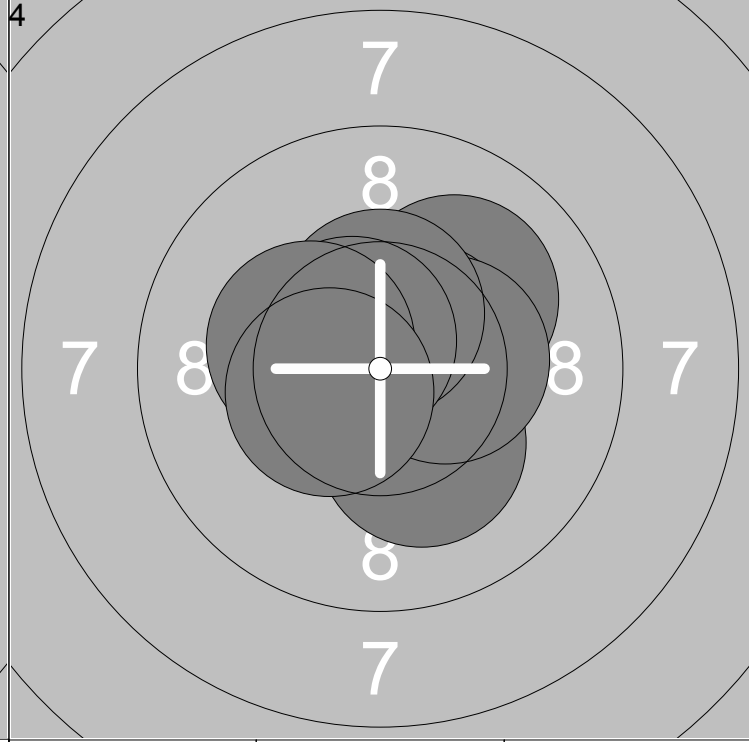
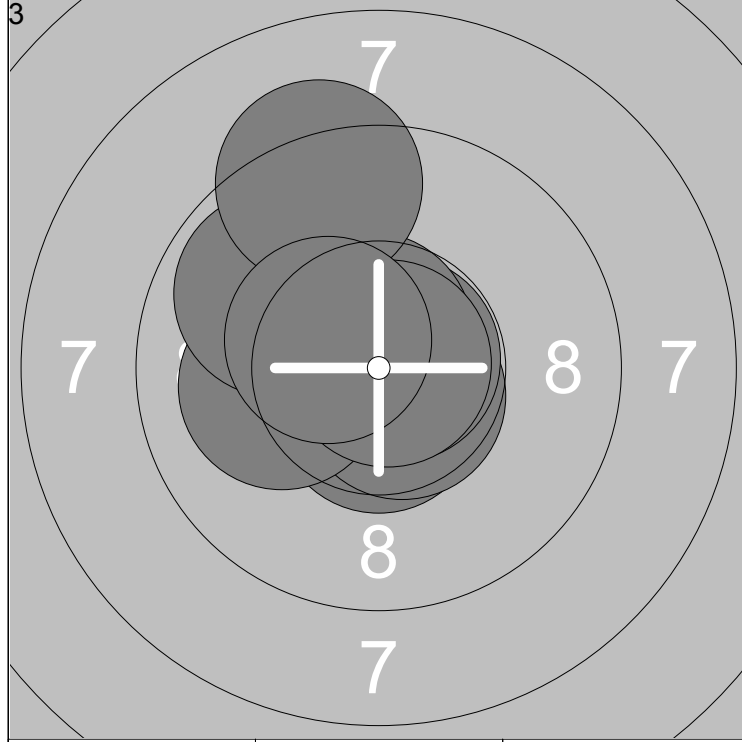
| | | | |
|------------|------------|--------|-------|
| 1: 10.6x ↗ | 6: 10.5x ← | Series | 102.3 |
| 2: 9.9 ↖ | 7: 9.5 ↗ | | |
| 3: 10.6x ↗ | 8: 10.4x ↘ | 305.6 | |
| 4: 10.3x ↗ | 9: 10.2x ↘ | | |
| 5: 10.2x ← | 10: 10.1 ↘ | | |

| | | | |
|------------|-------------|--------|-------|
| 1: 10.9x ↓ | 6: 9.9 ↖ | Series | 105.7 |
| 2: 10.8x ↘ | 7: 10.9x ↖ | | |
| 3: 10.6x ↗ | 8: 10.2x ← | 411.3 | |
| 4: 10.8x → | 9: 10.7x ↓ | | |
| 5: 10.3x ↑ | 10: 10.6x ← | | |



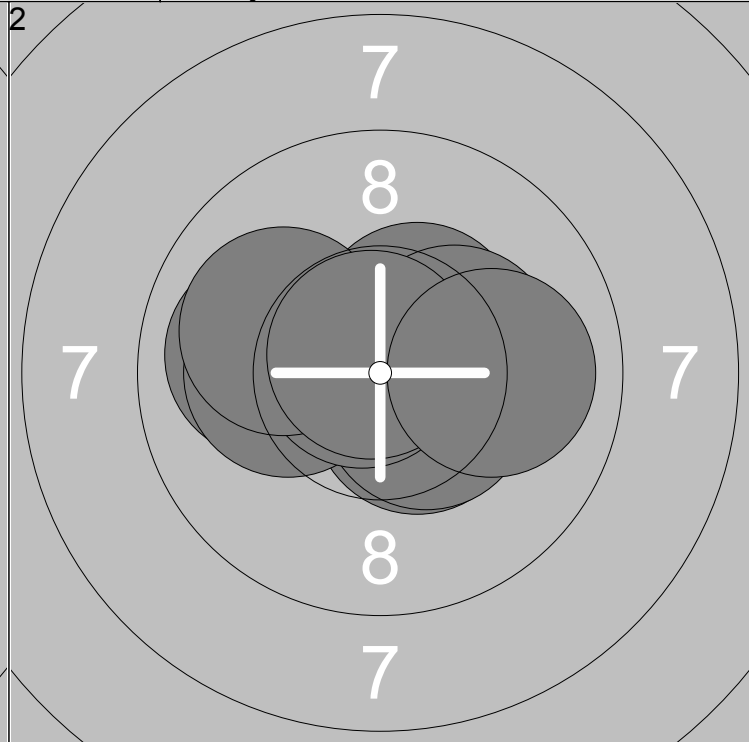
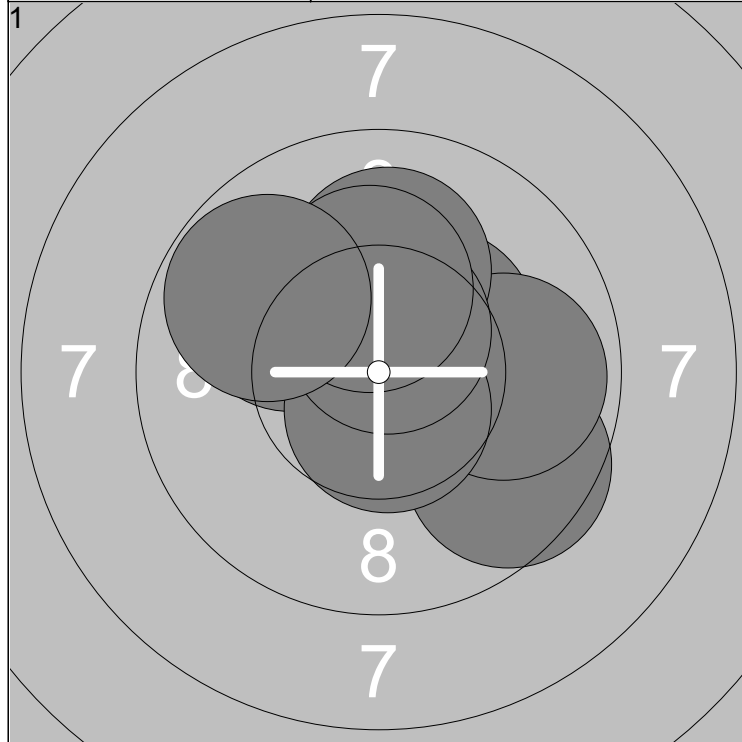
| | | |
|------------|-------------|--------------|
| 1: 9.6 ↗ | 6: 10.2x ↑ | Series 102.5 |
| 2: 10.0 ↘ | 7: 10.5x ↗ | |
| 3: 10.4x ↘ | 8: 10.6x ↑ | 102.5 |
| 4: 9.8 ↙ | 9: 10.3x ← | |
| 5: 10.5x ↗ | 10: 10.6x ↖ | |

| | | |
|------------|-------------|--------------|
| 1: 10.3x ↑ | 6: 10.8x ↓ | Series 104.8 |
| 2: 10.6x ↘ | 7: 10.5x ↘ | |
| 3: 9.9 → | 8: 10.6x ↗ | 207.3 |
| 4: 10.8x ↑ | 9: 10.5x ↘ | |
| 5: 10.4x ← | 10: 10.4x ↖ | |



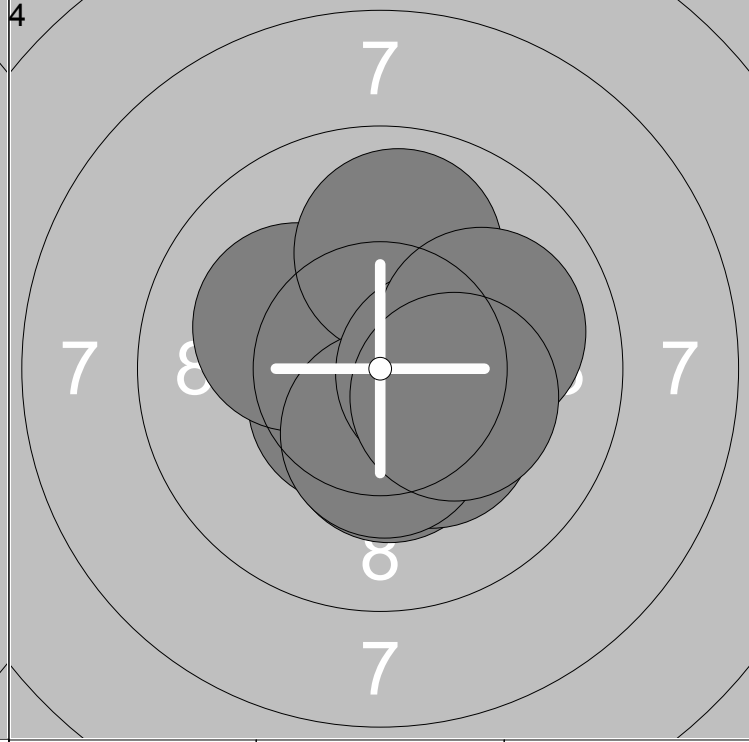
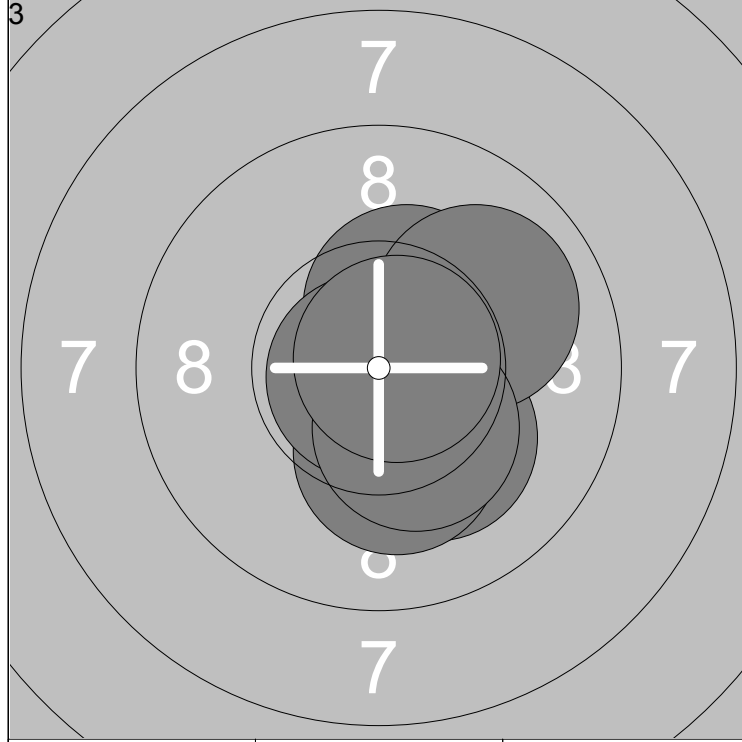
| | | |
|------------|-------------|--------------|
| 1: 10.8x ← | 6: 10.7x ↑ | Series 104.1 |
| 2: 10.6x ↓ | 7: 9.9 ↖ | |
| 3: 10.7x ↘ | 8: 10.8x ↗ | 311.4 |
| 4: 10.1 ← | 9: 9.3 ↑ | |
| 5: 10.8x ↗ | 10: 10.4x ↖ | |

| | | |
|------------|-------------|--------------|
| 1: 10.8x ↑ | 6: 10.4x → | Series 104.8 |
| 2: 10.1 ↗ | 7: 10.5x ↑ | |
| 3: 10.6x ↗ | 8: 10.6x ↖ | 416.2 |
| 4: 10.8x ← | 9: 10.3x ← | |
| 5: 10.2x ↓ | 10: 10.5x ← | |



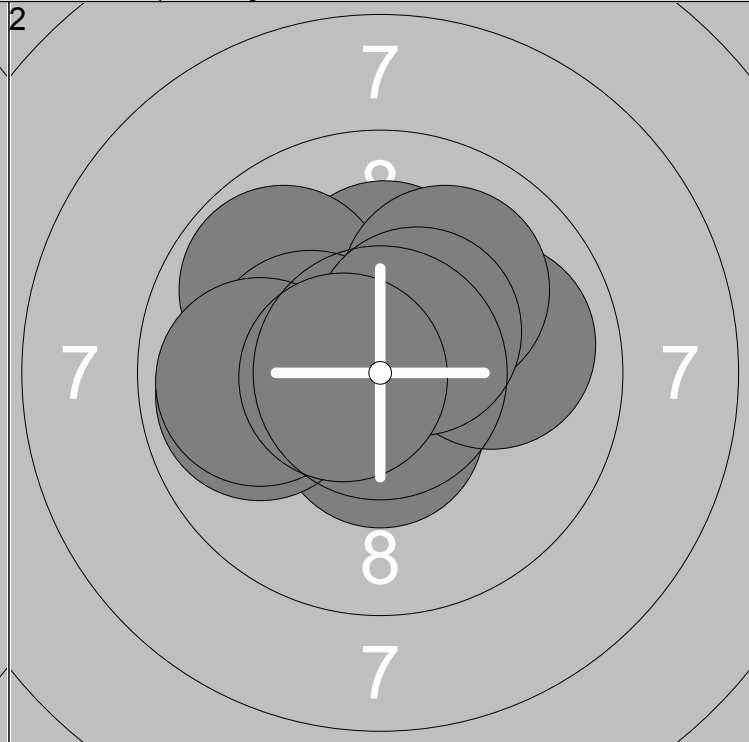
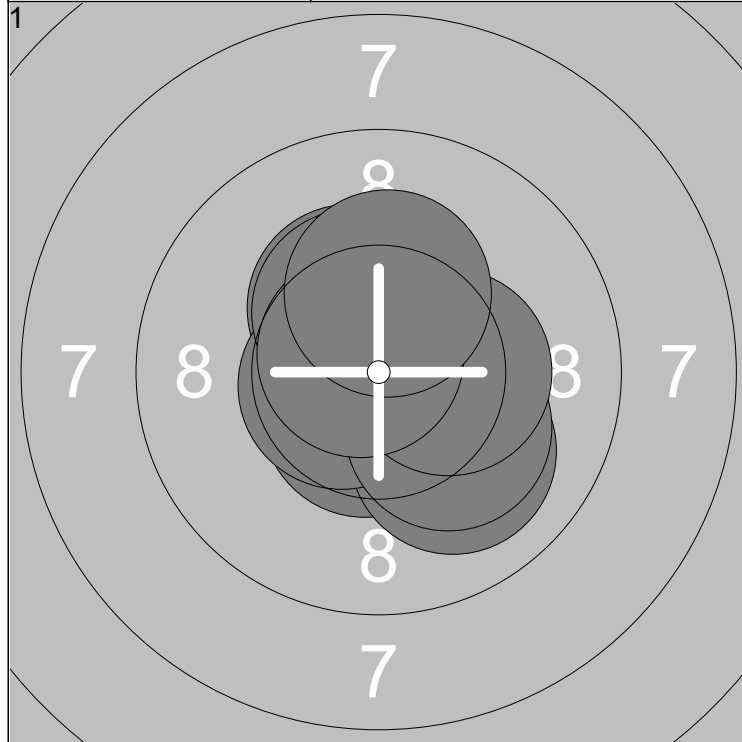
| | | | |
|------------|------------|---------------|-------|
| 1: 10.4x ↗ | 6: 10.6x ↓ | Series | 101.7 |
| 2: 10.5x → | 7: 10.1 ↑ | | 101.7 |
| 3: 10.0 ↖ | 8: 10.6x ↑ | | |
| 4: 9.6 ↘ | 9: 10.2x ↑ | | |
| 5: 9.9 → | 10: 9.8 ↖ | | |

| | | | |
|------------|------------|---------------|-------|
| 1: 10.0 ← | 6: 10.4x ↗ | Series | 103.4 |
| 2: 10.5x ↘ | 7: 10.0 ↖ | | 205.1 |
| 3: 10.2x ← | 8: 10.3x → | | |
| 4: 10.4x ↘ | 9: 10.8x ↑ | | |
| 5: 10.8x ↖ | 10: 10.0 → | | |



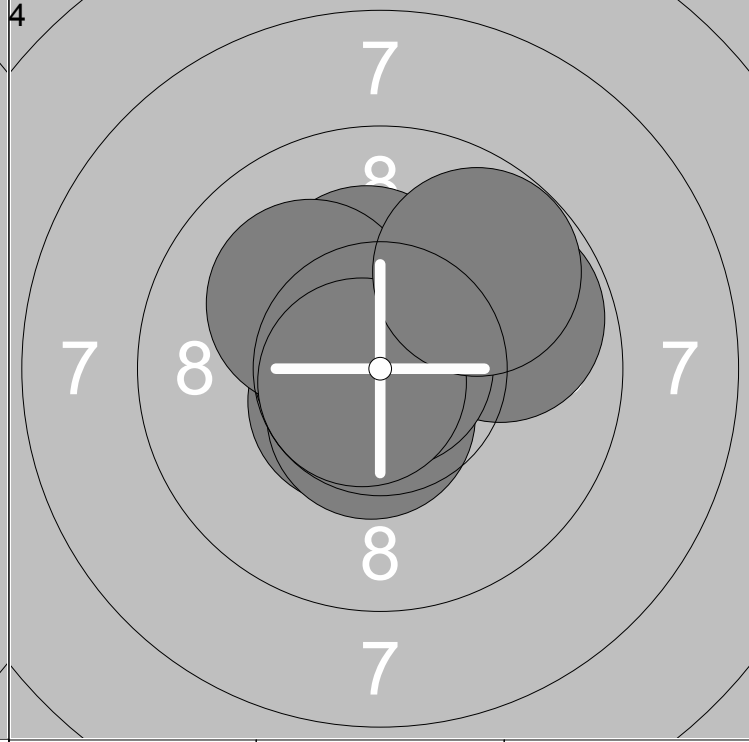
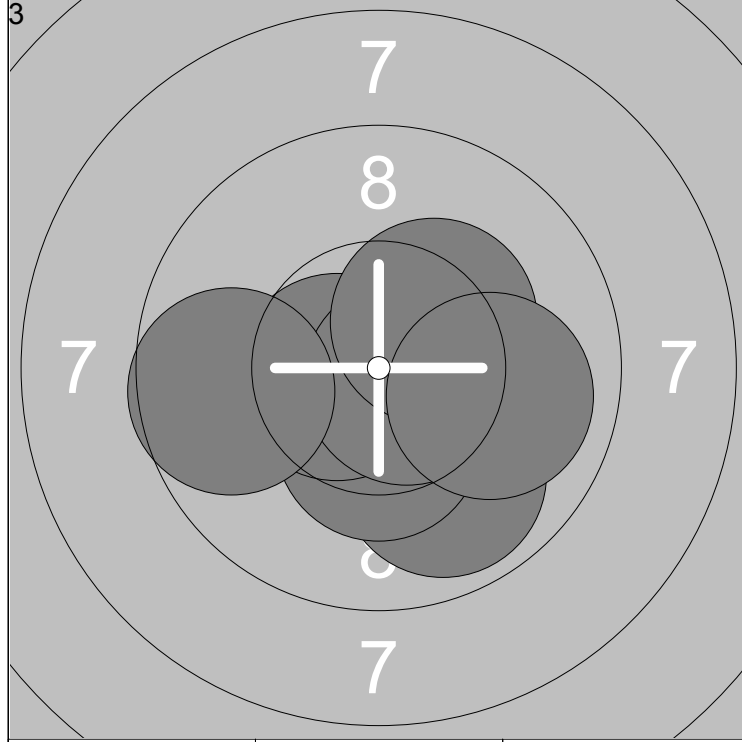
| | | | |
|------------|-------------|---------------|-------|
| 1: 10.2x ↘ | 6: 10.8x → | Series | 104.8 |
| 2: 10.6x ↘ | 7: 10.8x ↖ | | 309.9 |
| 3: 10.2x ↓ | 8: 10.0 ↗ | | |
| 4: 10.7x ↗ | 9: 10.3x ↘ | | |
| 5: 10.4x ↑ | 10: 10.8x ↗ | | |

| | | | |
|------------|-------------|---------------|-------|
| 1: 10.3x ↓ | 6: 10.3x ↓ | Series | 103.0 |
| 2: 10.6x ↓ | 7: 10.4x ↓ | | 412.9 |
| 3: 10.6x ↖ | 8: 10.4x → | | |
| 4: 10.2x ↖ | 9: 10.0 ↗ | | |
| 5: 9.9 ↑ | 10: 10.3x ↘ | | |



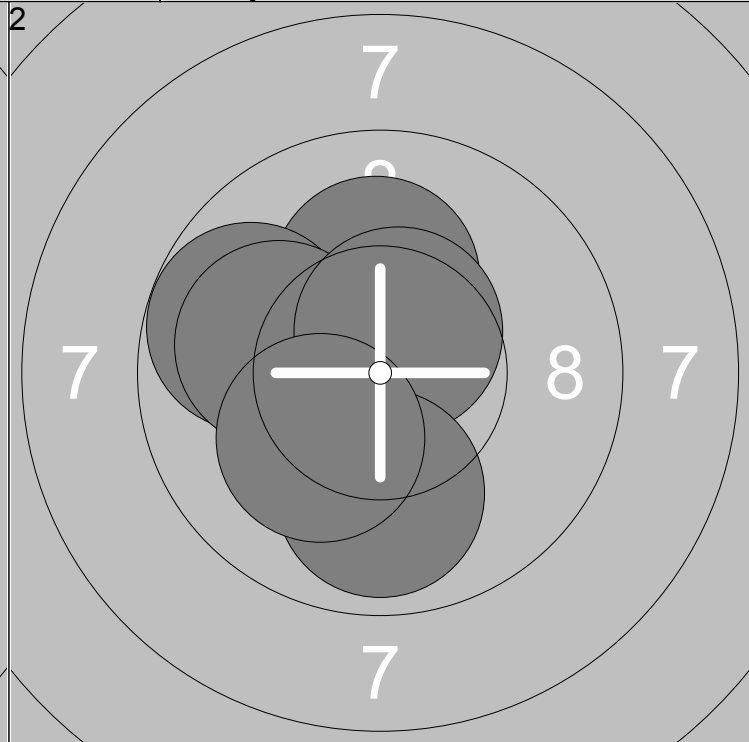
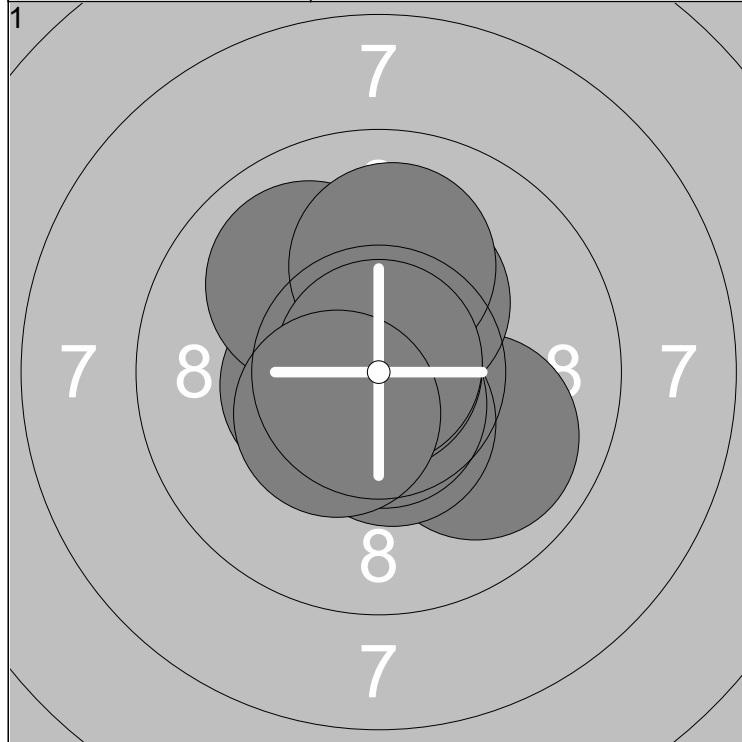
| | | | |
|------------|-------------|--------|-------|
| 1: 10.5x → | 6: 10.2x ↘ | Series | 103.9 |
| 2: 10.6x ↘ | 7: 10.4x ↗ | | |
| 3: 10.3x ↗ | 8: 10.3x → | 103.9 | |
| 4: 10.0 ↘ | 9: 10.7x ↗ | | |
| 5: 10.6x ← | 10: 10.3x ↑ | | |

| | | | |
|------------|-------------|--------|-------|
| 1: 10.2x ↑ | 6: 9.9 ← | Series | 101.7 |
| 2: 9.8 ↖ | 7: 10.0 ↗ | | |
| 3: 10.5x ↓ | 8: 10.5x ↗ | 205.6 | |
| 4: 10.3x ← | 9: 9.9 ← | | |
| 5: 10.0 → | 10: 10.6x ← | | |



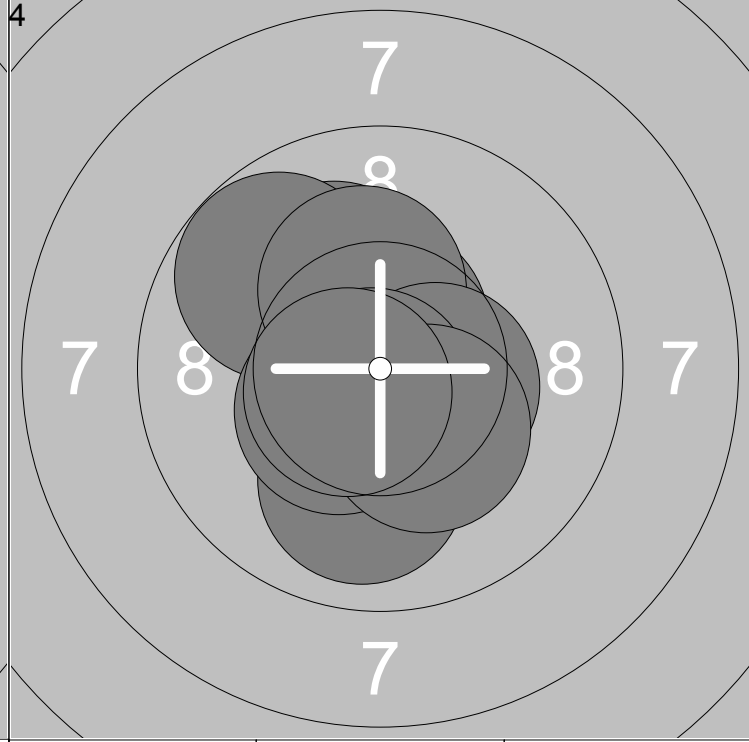
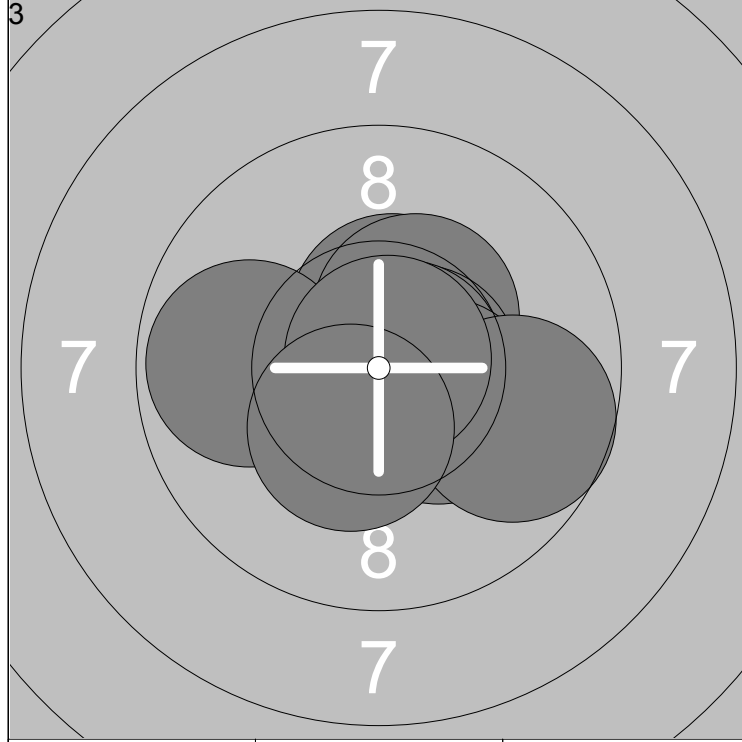
| | | | |
|------------|------------|--------|-------|
| 1: 9.9 ↘ | 6: 10.4x → | Series | 103.0 |
| 2: 10.7x → | 7: 10.7x → | | |
| 3: 10.5x → | 8: 10.3x ↗ | 308.6 | |
| 4: 10.3x ↓ | 9: 9.6 ← | | |
| 5: 10.6x ← | 10: 10.0 → | | |

| | | | |
|------------|------------|--------|-------|
| 1: 10.6x ↘ | 6: 10.9x ↗ | Series | 104.3 |
| 2: 10.9x ↖ | 7: 10.7x ← | | |
| 3: 10.6x ↓ | 8: 10.1 ↖ | 412.9 | |
| 4: 10.3x ↑ | 9: 10.7x ↘ | | |
| 5: 9.8 → | 10: 9.7 ↗ | | |



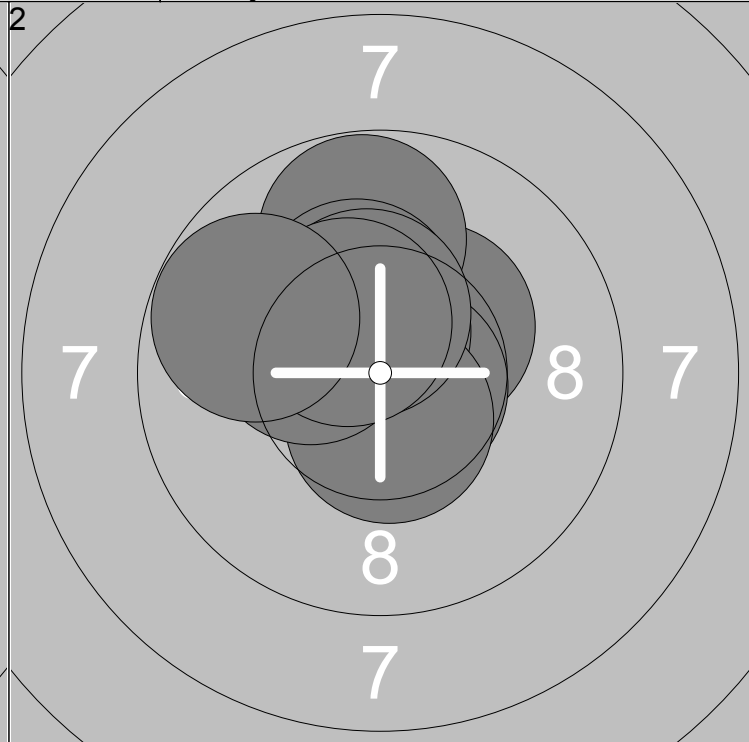
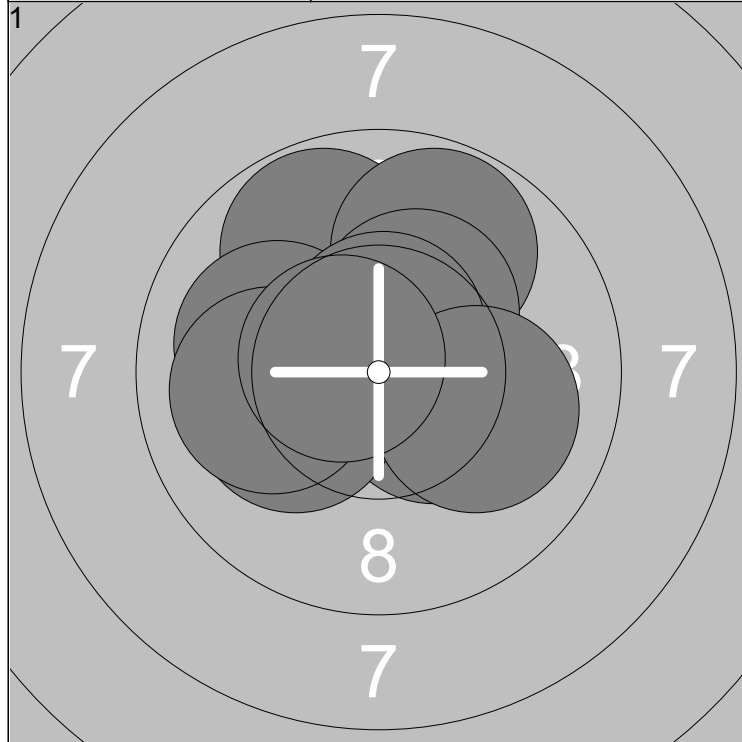
| | | |
|------------|-------------|--------------|
| 1: 9.9 ↘ | 6: 10.7x ↓ | Series 104.1 |
| 2: 10.3x ↗ | 7: 10.0 ↑ | |
| 3: 10.4x ← | 8: 10.9x ↑ | 104.1 |
| 4: 10.0 ↖ | 9: 10.9x ↑ | |
| 5: 10.5x ↓ | 10: 10.5x ↙ | |

| | | |
|------------|-------------|--------------|
| 1: 10.6x ↗ | 6: 9.8 ← | Series 103.1 |
| 2: 10.4x ↗ | 7: 10.0 ← | |
| 3: 10.7x ← | 8: 10.5x ↗ | 207.2 |
| 4: 10.2x ↑ | 9: 9.9 ↓ | |
| 5: 10.8x ↖ | 10: 10.2x ↙ | |



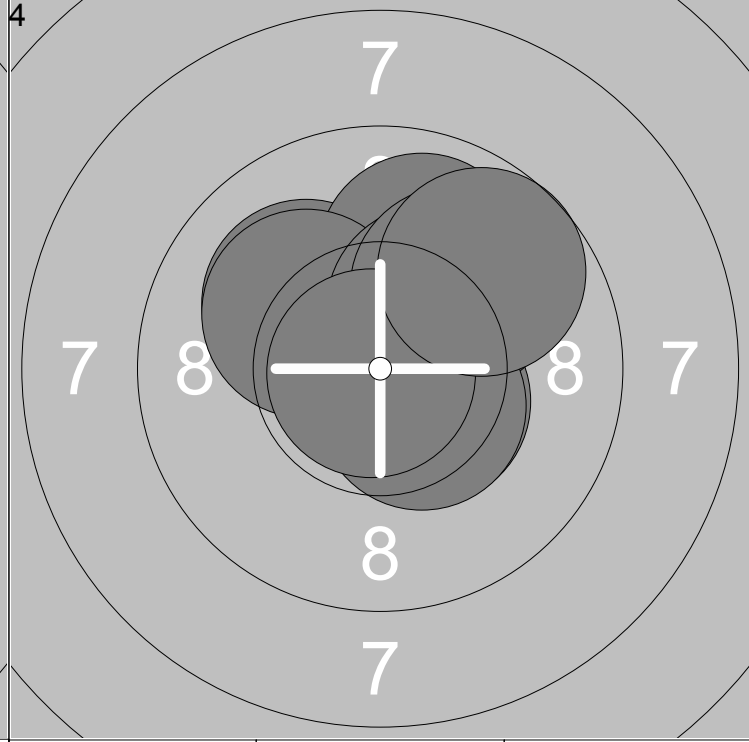
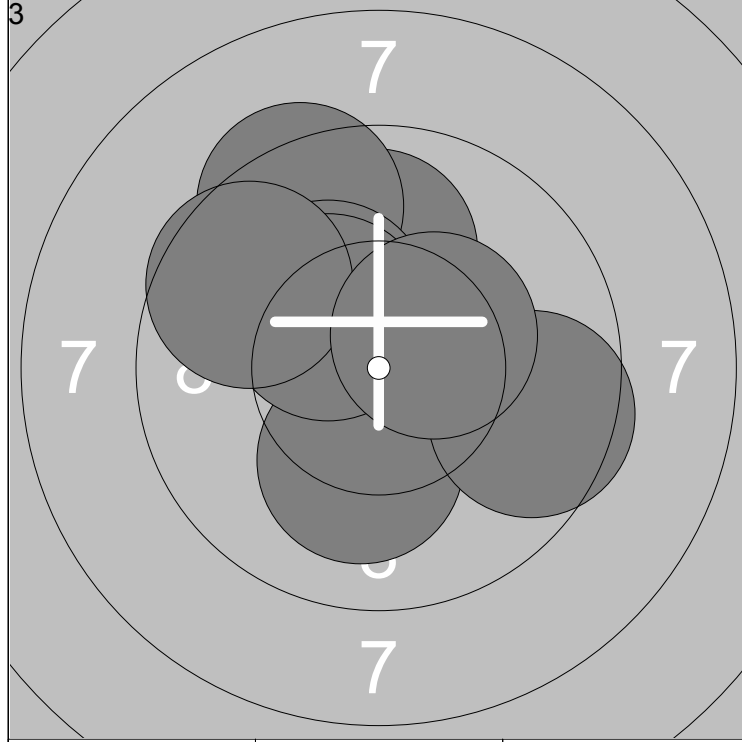
| | | |
|------------|-------------|--------------|
| 1: 10.5x ↑ | 6: 10.6x ↓ | Series 104.0 |
| 2: 10.4x ↗ | 7: 10.4x ↘ | |
| 3: 10.6x → | 8: 9.7 → | 311.2 |
| 4: 10.8x → | 9: 10.8x ↗ | |
| 5: 9.8 ← | 10: 10.4x ↓ | |

| | | |
|------------|-------------|--------------|
| 1: 10.1 ↖ | 6: 10.4x → | Series 103.2 |
| 2: 10.6x ↑ | 7: 10.4x ↙ | |
| 3: 9.8 ↖ | 8: 10.8x ↓ | 414.4 |
| 4: 10.2x ↑ | 9: 10.3x ↓ | |
| 5: 10.0 ↓ | 10: 10.6x ↙ | |



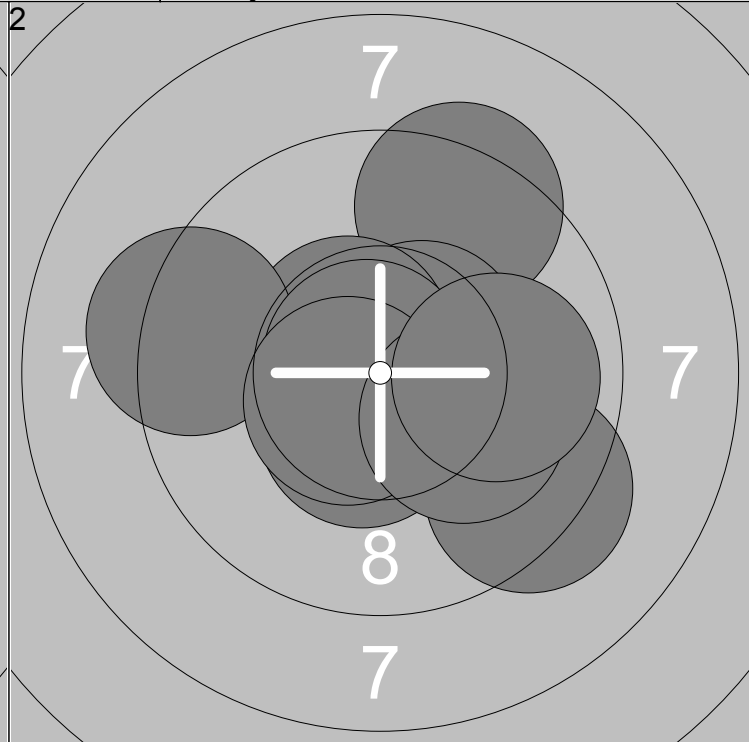
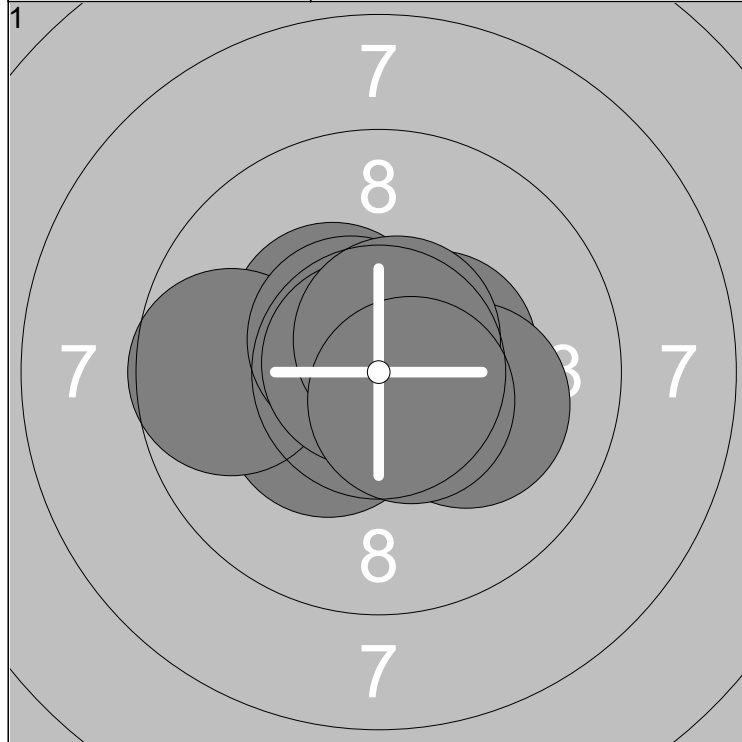
| | | | |
|------------|-------------|--------|-------|
| 1: 9.8 ↖ | 6: 10.0 ← | Series | 101.8 |
| 2: 9.8 ↑ | 7: 10.6x ↑ | | |
| 3: 10.4x → | 8: 10.0 ← | 101.8 | |
| 4: 10.2x ← | 9: 10.1 → | | |
| 5: 10.3x ↗ | 10: 10.6x ← | | |

| | | | |
|------------|------------|--------|-------|
| 1: 10.4x ↗ | 6: 10.3x ↑ | Series | 103.2 |
| 2: 9.8 ↑ | 7: 10.4x ↑ | | |
| 3: 10.7x → | 8: 10.3x ← | 205.0 | |
| 4: 10.6x ↑ | 9: 10.4x ↗ | | |
| 5: 10.5x ↓ | 10: 9.8 ← | | |



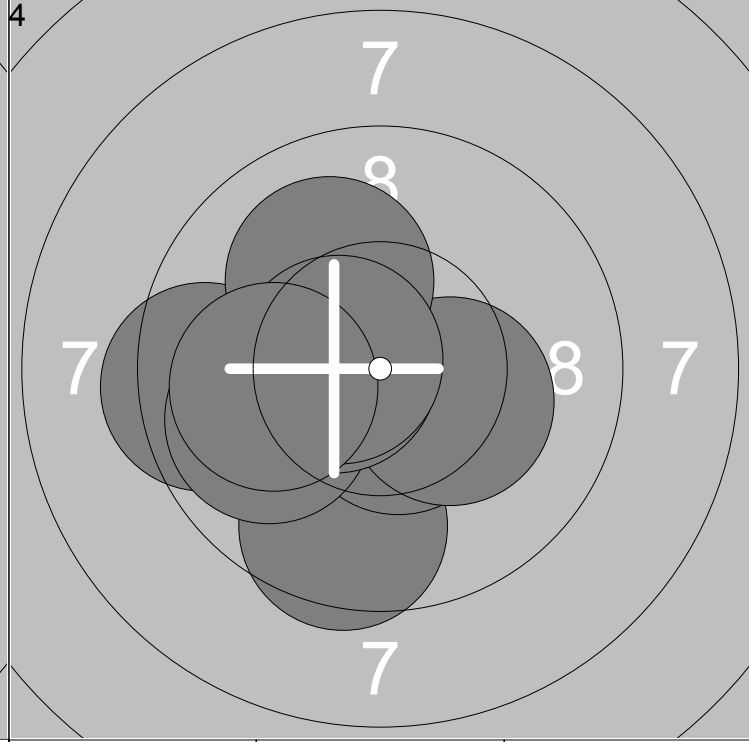
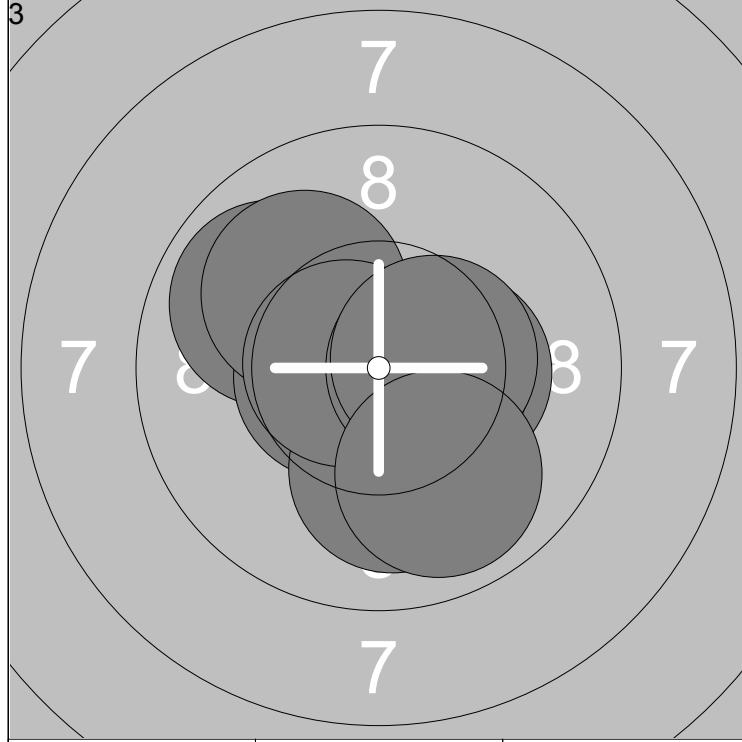
| | | | |
|------------|-------------|--------|------|
| 1: 10.3x ↗ | 6: 10.1 ↓ | Series | 99.7 |
| 2: 9.8 ↑ | 7: 10.3x ↗ | | |
| 3: 9.9 ↑ | 8: 9.6 ↗ | 304.7 | |
| 4: 9.4 ↗ | 9: 9.6 → | | |
| 5: 10.3x ↗ | 10: 10.4x ↗ | | |

| | | | |
|------------|------------|--------|-------|
| 1: 10.4x ↗ | 6: 10.3x ↗ | Series | 102.5 |
| 2: 10.1 ↗ | 7: 10.0 ↗ | | |
| 3: 9.9 ↑ | 8: 10.5x → | 407.2 | |
| 4: 10.5x → | 9: 10.9x ← | | |
| 5: 10.2x ↗ | 10: 9.7 ↗ | | |



| | | | |
|------------|-------------|--------|-------|
| 1: 10.4x ↙ | 6: 10.8x ↗ | Series | 104.1 |
| 2: 10.4x ↗ | 7: 10.4x → | | |
| 3: 9.7 ← | 8: 10.1 → | 104.1 | |
| 4: 10.6x ↗ | 9: 10.7x ↗ | | |
| 5: 10.4x → | 10: 10.6x ↘ | | |

| | | | |
|------------|------------|--------|-------|
| 1: 9.4 ↗ | 6: 10.8x ↙ | Series | 101.1 |
| 2: 10.5x ↗ | 7: 10.6x ↙ | | |
| 3: 10.6x ↙ | 8: 9.3 ↘ | 205.2 | |
| 4: 9.3 ← | 9: 10.1 ↘ | | |
| 5: 10.5x ↘ | 10: 10.0 → | | |



| | | | |
|------------|------------|--------|-------|
| 1: 9.9 ↗ | 6: 10.7x ← | Series | 103.0 |
| 2: 10.5x ↘ | 7: 10.4x → | | |
| 3: 10.6x ← | 8: 10.5x → | 308.2 | |
| 4: 10.0 ↘ | 9: 10.5x → | | |
| 5: 10.0 ↗ | 10: 9.9 ↘ | | |

| | | | |
|------------|------------|--------|-------|
| 1: 10.1 ↙ | 6: 9.9 ← | Series | 101.1 |
| 2: 9.4 ← | 7: 10.6x ← | | |
| 3: 9.5 ↘ | 8: 10.1 ↗ | 409.3 | |
| 4: 10.6x ↘ | 9: 10.6x ← | | |
| 5: 10.3x ↗ | 10: 10.0 ← | | |