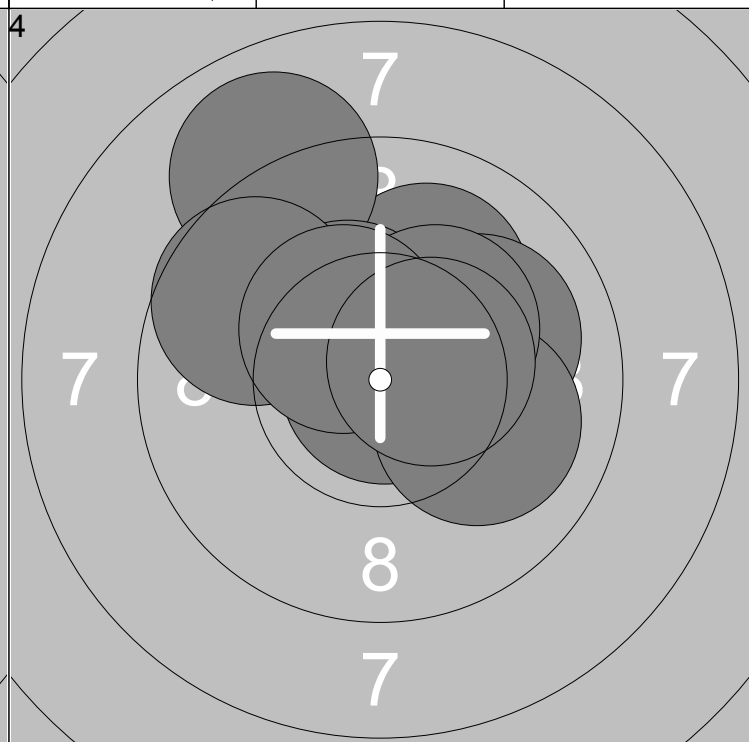
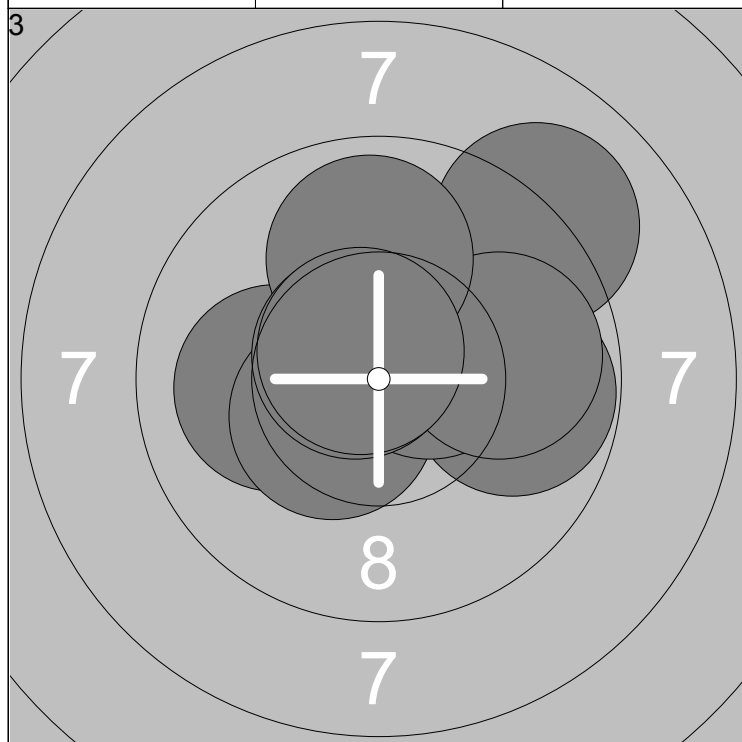


1: 10.0 ↗	6: 10.5x ↓	Series	103.8
2: 10.3x ↑	7: 10.1 ↗		
3: 10.7x ↓	8: 10.7x ↓	103.8	
4: 10.7x ↗	9: 10.3x ↖		
5: 10.4x ↑	10: 10.1 ↓		

1: 10.5x ↓	6: 10.3x ↘	Series	104.3
2: 10.0 ↑	7: 10.6x ↗		
3: 10.5x ↓	8: 10.0 ↓	208.1	
4: 10.4x →	9: 10.5x →		
5: 10.8x ↑	10: 10.7x ↖		



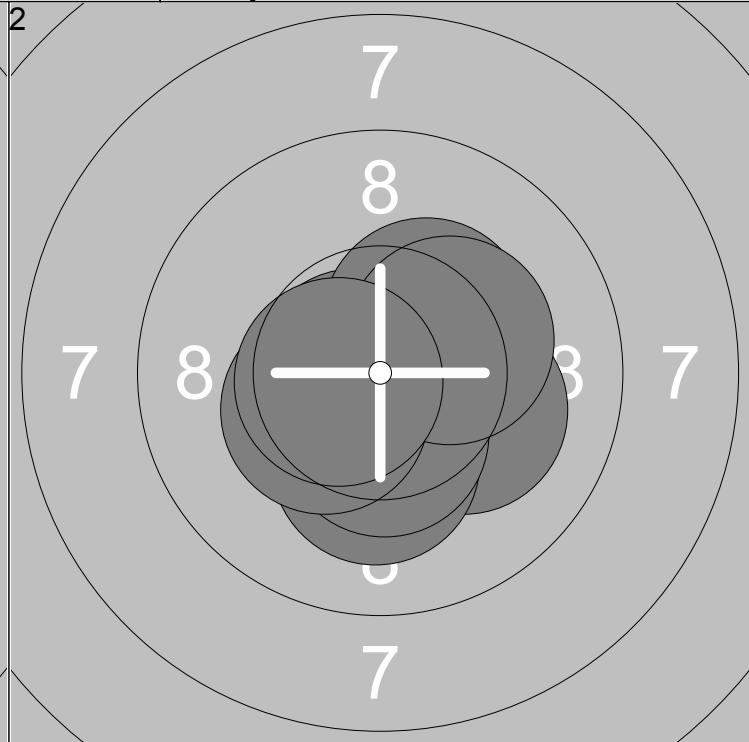
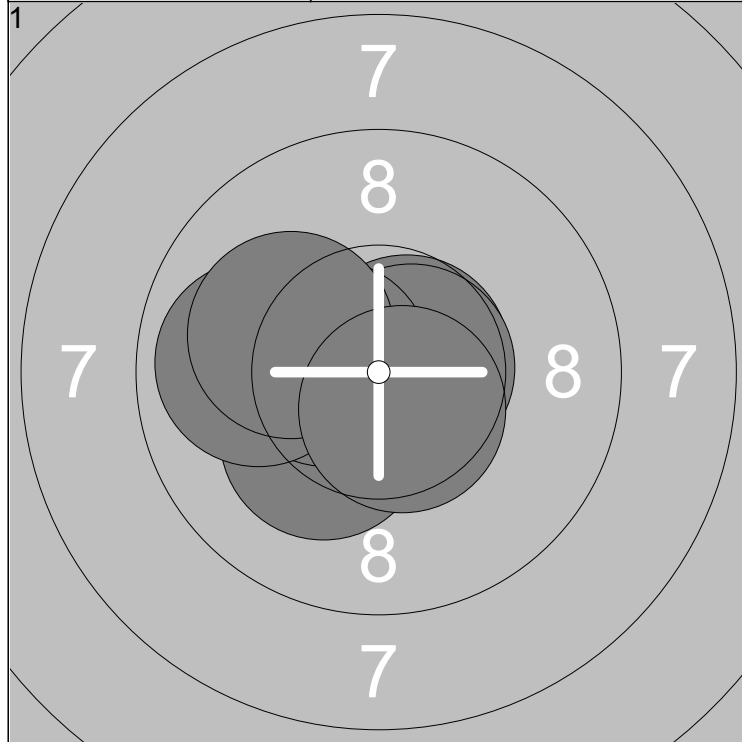
1: 10.1 ←	6: 10.5x ↗	Series	101.1
2: 9.8 →	7: 9.9 →		
3: 10.5x ↙	8: 9.9 ↑	309.2	
4: 10.0 ↗	9: 10.7x ↖		
5: 9.1 ↗	10: 10.6x ↖		

1: 10.9x →	6: 10.0 →	Series	101.2
2: 10.0 ↗	7: 10.3x ↗		
3: 8.9 ↖	8: 9.7 ↙	410.4	
4: 10.4x ↖	9: 10.4x ↖		
5: 10.1 →	10: 10.5x →		

Relay 1	Lane 3	István Péni	
-------------------	------------------	--------------------	--

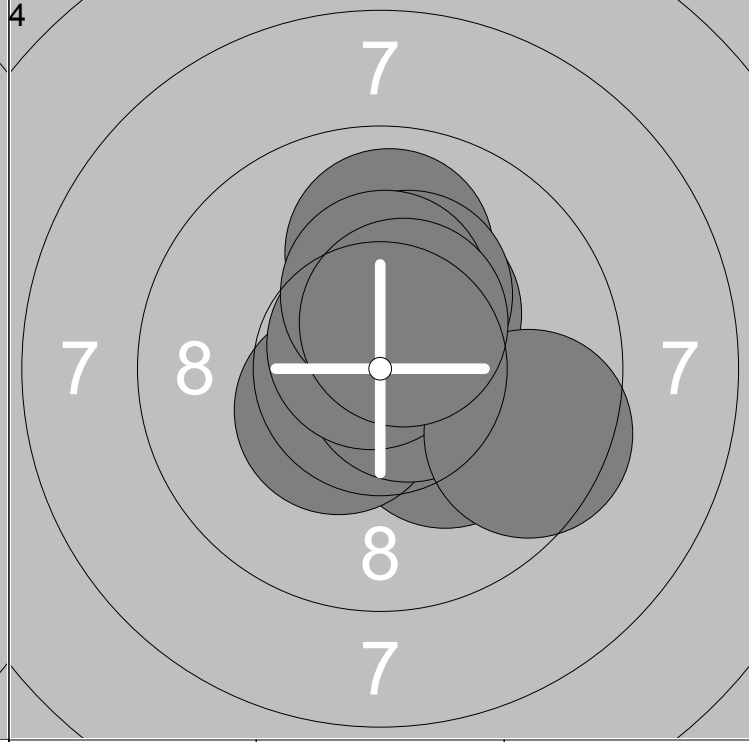
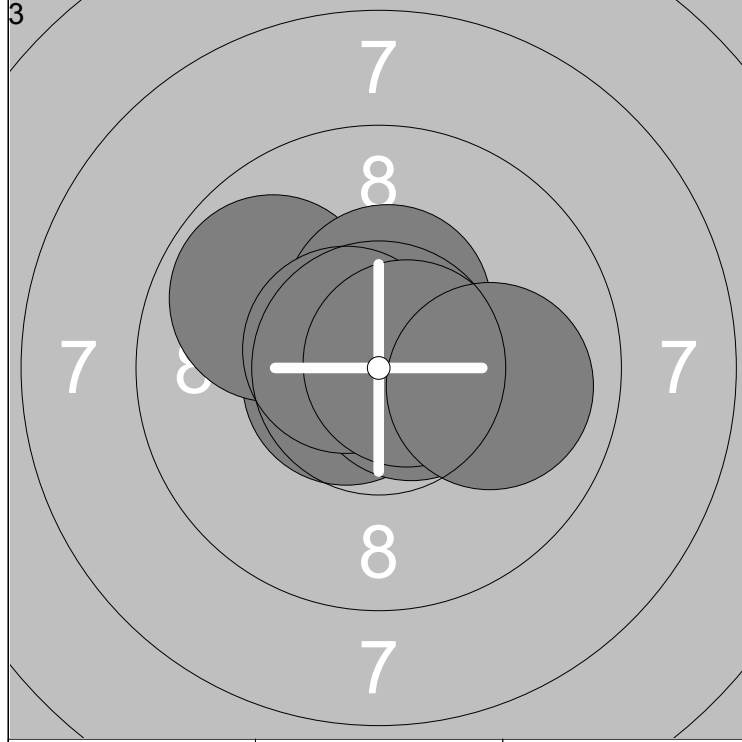
Qualification	HUN	Rifle	
---------------	-----	-------	--

2015-10-2/3/4	EYL	Söraby SKF
---------------	-----	------------



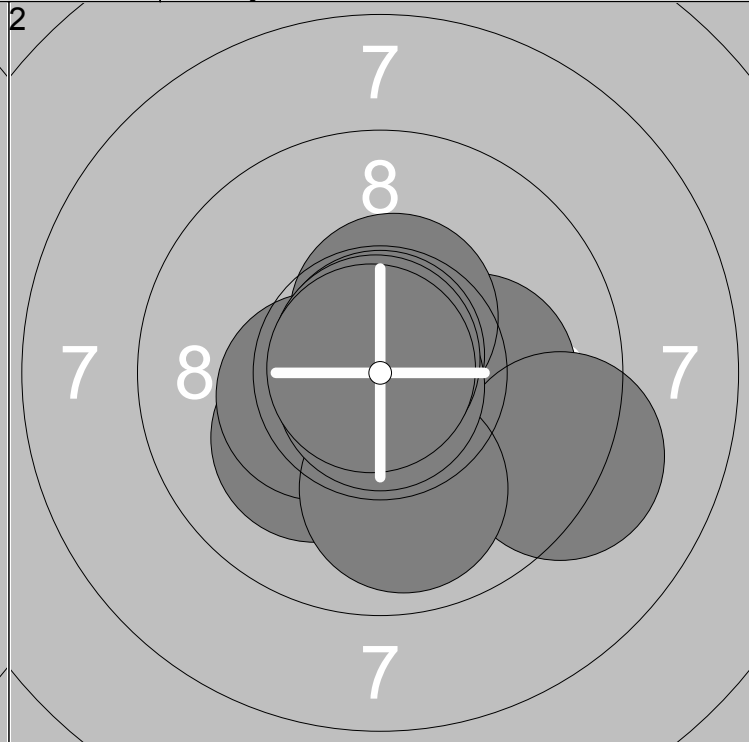
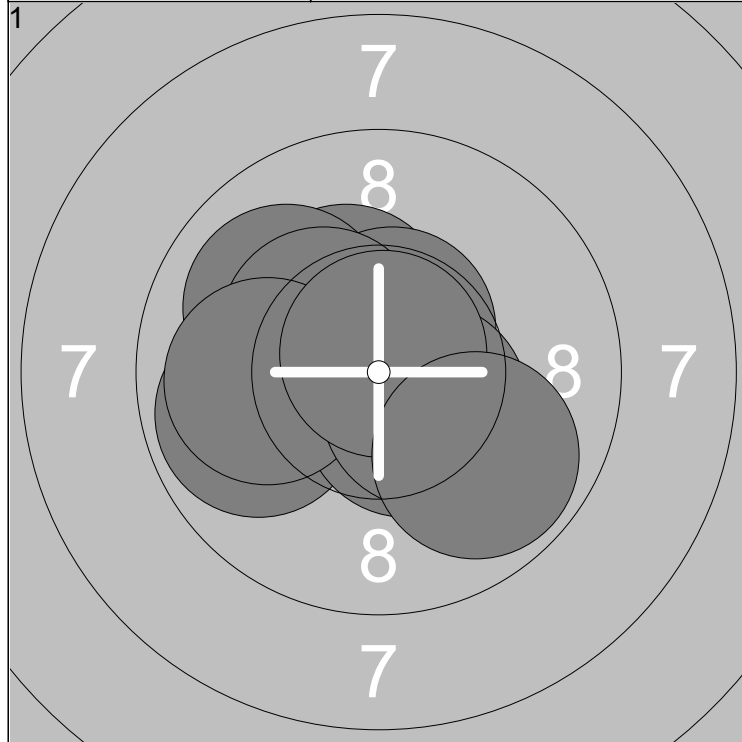
1: 10.8x ↙	6: 10.7x →	Series	104.7
2: 10.7x ↗	7: 10.5x ←		
3: 10.6x ↓	8: 9.9 ←		104.7
4: 10.6x ↓	9: 10.1 ↖		
5: 10.2x ↙	10: 10.6x ↓		

1: 10.2x →	6: 10.4x ↓	Series	104.5
2: 10.8x ←	7: 10.3x ↗		
3: 10.2x ↓	8: 10.4x ↙		209.2
4: 10.5x ↗	9: 10.3x ↗		
5: 10.8x ←	10: 10.6x ←		



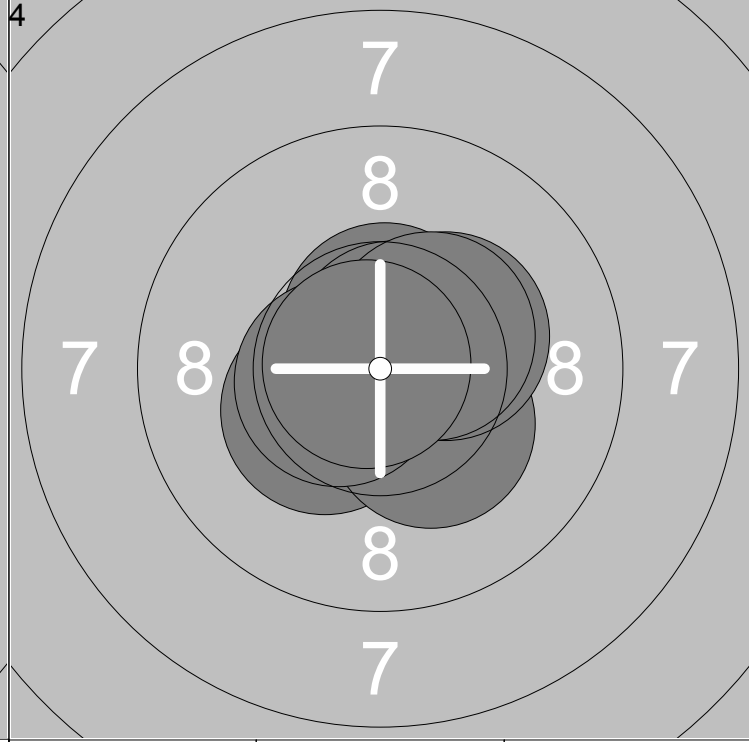
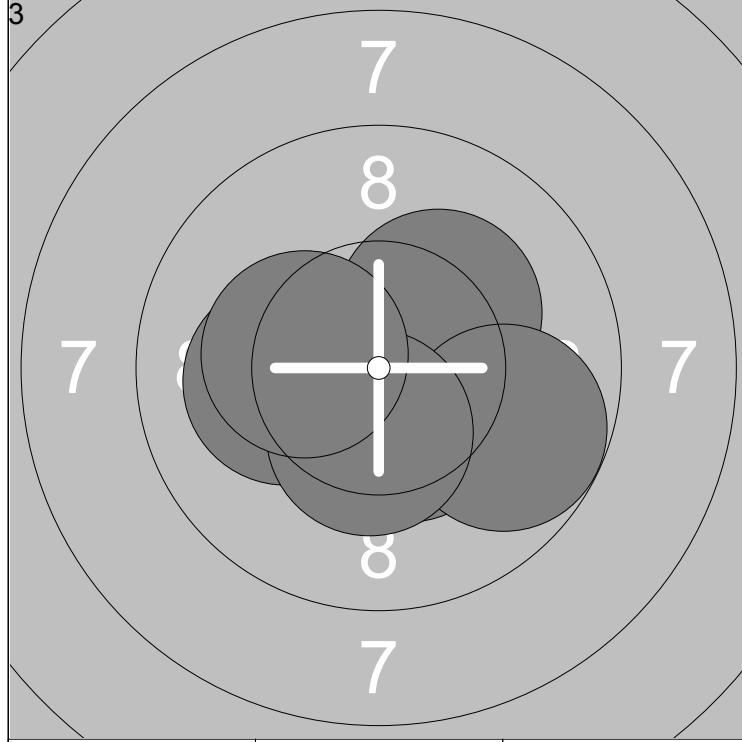
1: 10.8x ↗	6: 9.8 ↖	Series	105.3
2: 10.8x ←	7: 10.4x ↑		
3: 10.7x ↖	8: 10.6x ↖		314.5
4: 10.8x ↗	9: 10.7x →		
5: 10.7x →	10: 10.0 →		

1: 10.2x ↘	6: 10.7x →	Series	103.1
2: 10.5x ↙	7: 10.7x ↑		
3: 10.4x ↗	8: 10.3x ↑		417.6
4: 10.0 ↑	9: 9.5 →		
5: 10.3x ↗	10: 10.5x ↗		



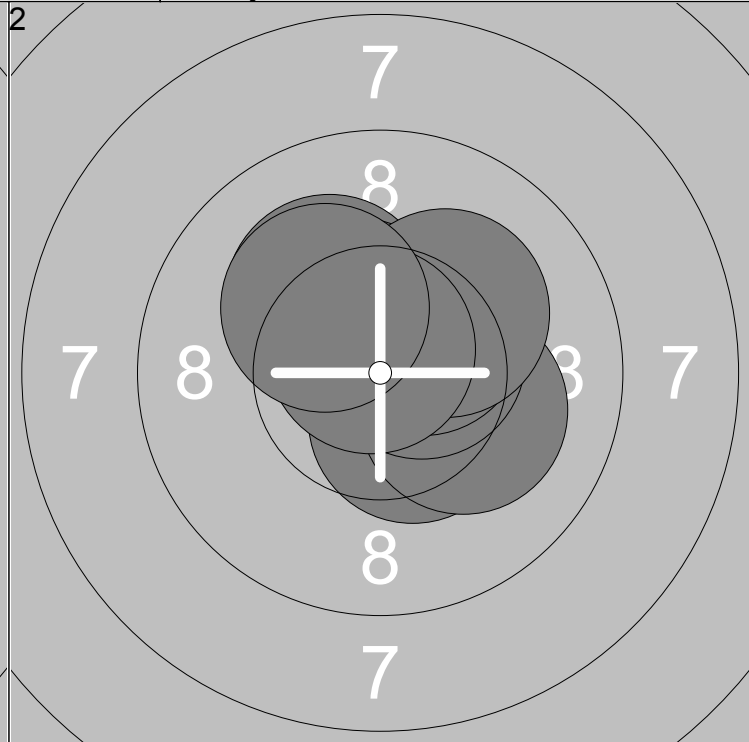
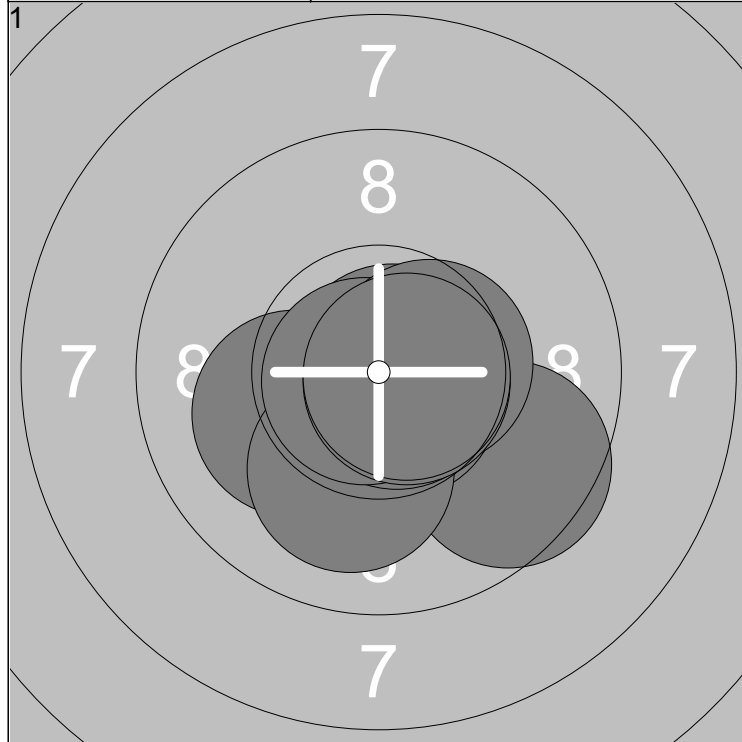
1: 10.3x ↗	6: 10.5x ↘	Series	102.6
2: 10.6x ↗	7: 10.0 ←		
3: 10.0 ↖	8: 10.4x ↘	102.6	
4: 9.9 ←	9: 10.8x ↗		
5: 10.3x ↖	10: 9.8 ↘		

1: 10.1 →	6: 10.4x ←	Series	103.5
2: 10.5x ↗	7: 9.9 ↘		
3: 10.8x ↗	8: 10.8x ↘	206.1	
4: 10.2x ↖	9: 10.8x ↗		
5: 9.2 ↘	10: 10.8x ←		



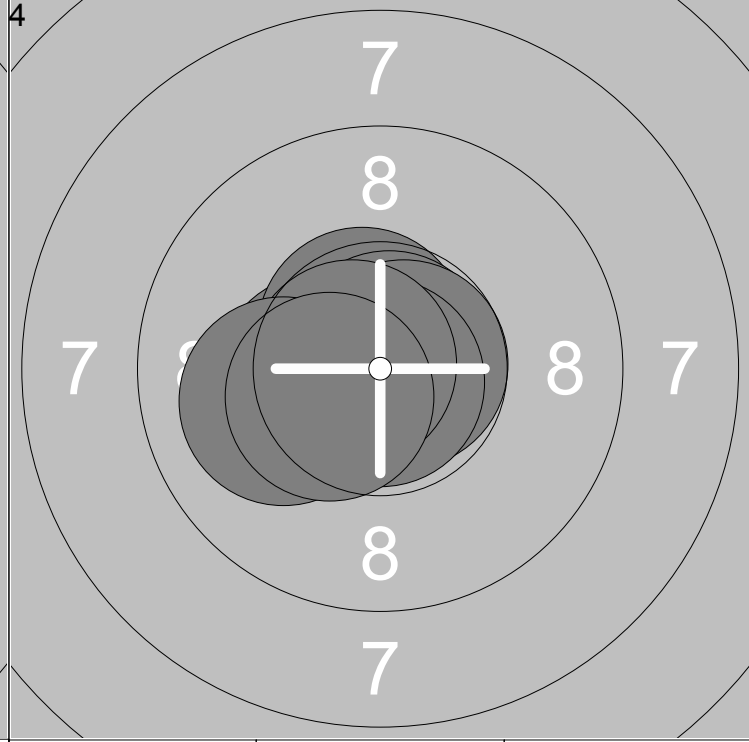
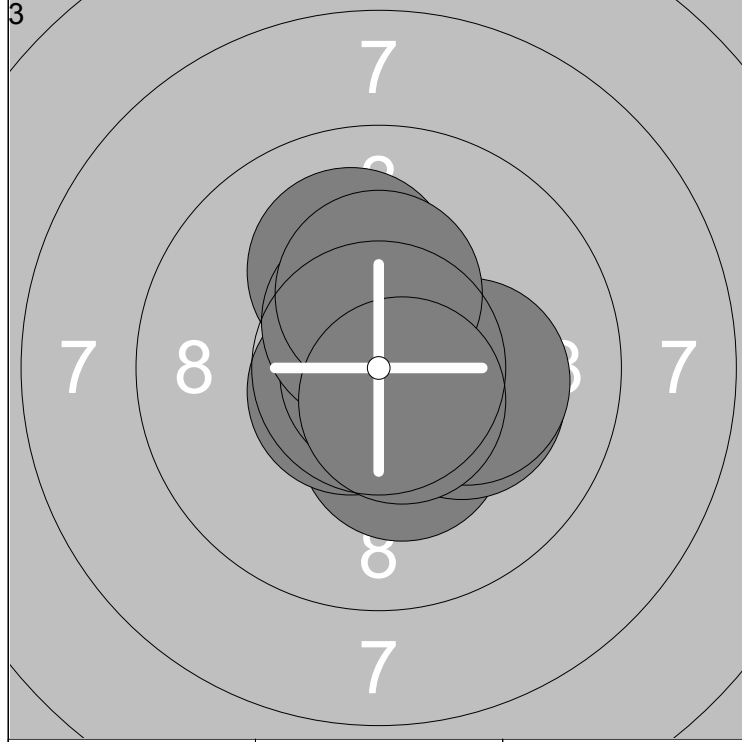
1: 10.8x →	6: 10.2x ↗	Series	103.6
2: 10.8x ←	7: 10.1 ←		
3: 10.4x ↘	8: 9.7 →	309.7	
4: 10.4x ↗	9: 10.4x ↘		
5: 10.5x →	10: 10.3x ←		

1: 10.8x ↘	6: 10.3x ↘	Series	105.5
2: 10.6x ↗	7: 10.6x ←		
3: 10.7x ↗	8: 10.3x ↗	415.2	
4: 10.3x ↖	9: 10.4x ↗		
5: 10.7x →	10: 10.8x ←		



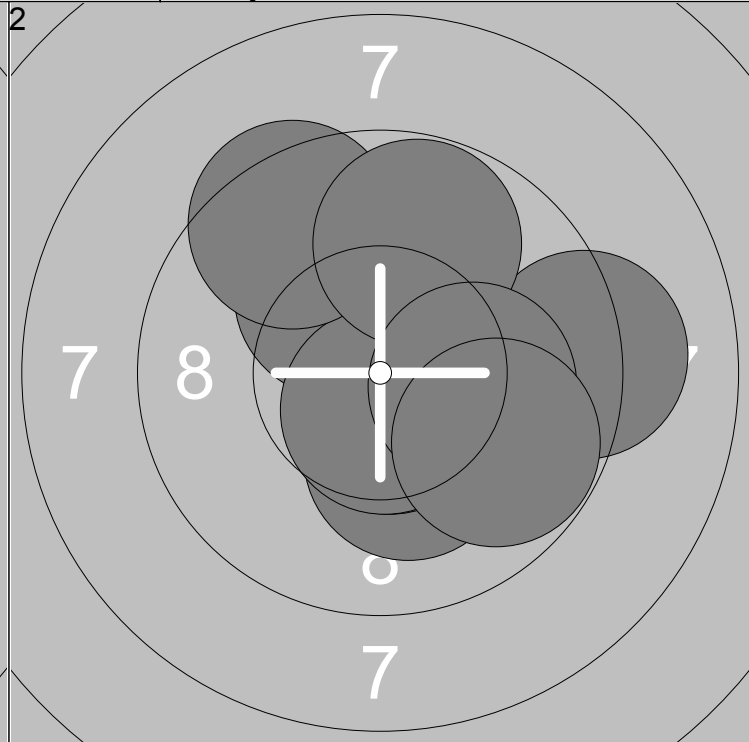
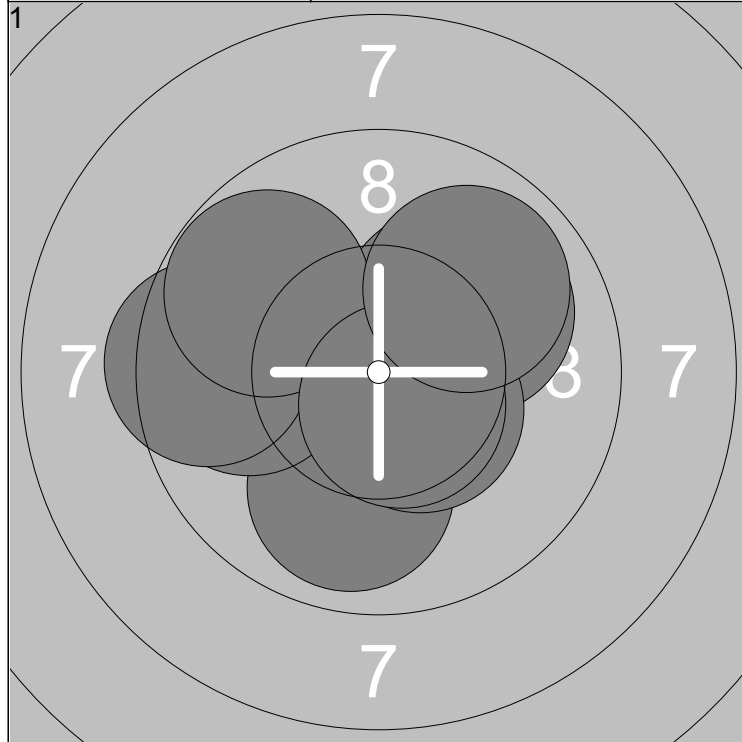
1: 10.1 ↙	6: 10.7x ↘	Series	104.7
2: 10.8x →	7: 10.8x ↙		
3: 9.6 ↘	8: 10.5x →	104.7	
4: 10.7x ↘	9: 10.7x →		
5: 10.1 ↓	10: 10.7x →		

1: 10.5x ↘	6: 10.5x ↗	Series	104.1
2: 10.2x →	7: 10.5x ↗		
3: 10.6x ↗	8: 10.2x ↗	208.8	
4: 10.5x →	9: 10.7x ↗		
5: 10.2x ↖	10: 10.2x ↖		



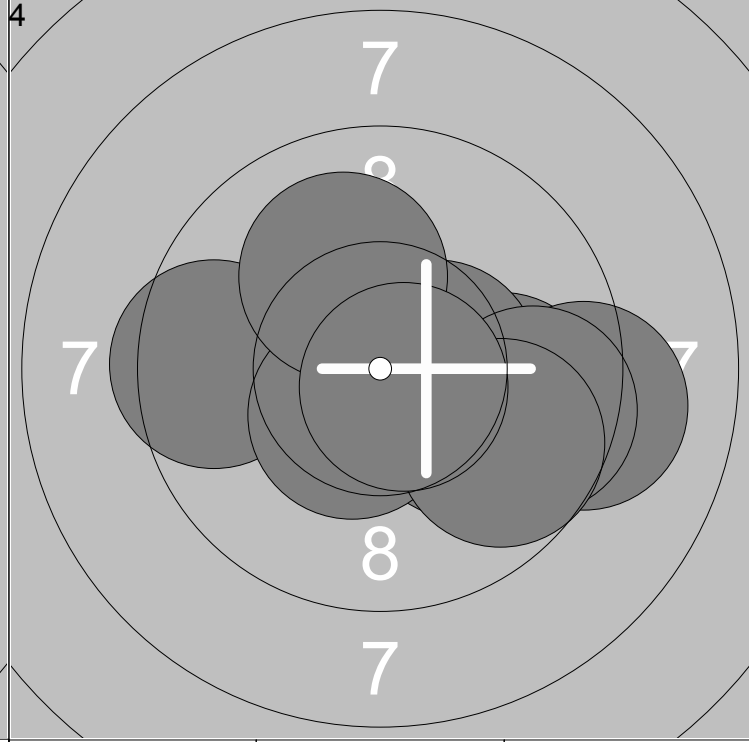
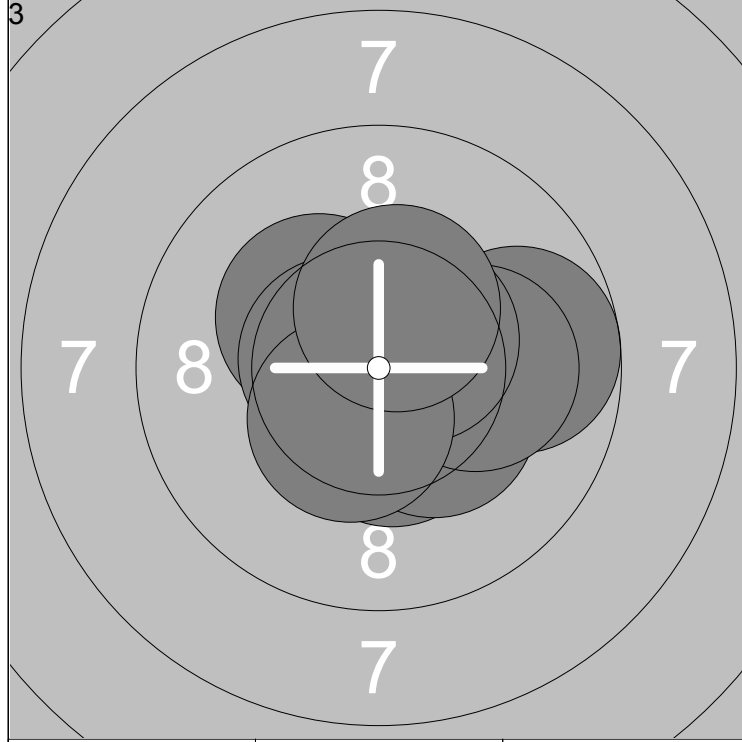
1: 10.3x ↓	6: 10.2x →	Series	104.4
2: 10.7x →	7: 10.1 ↗		
3: 10.6x ↙	8: 10.5x ↗	313.2	
4: 10.2x →	9: 10.3x ↗		
5: 10.9x ↘	10: 10.6x ↘		

1: 10.4x ↙	6: 10.7x →	Series	106.2
2: 10.6x ↖	7: 10.8x ↓		
3: 10.8x ↙	8: 10.7x ↙	419.4	
4: 10.9x ↘	9: 10.1 ↙		
5: 10.8x ↗	10: 10.4x ↙		



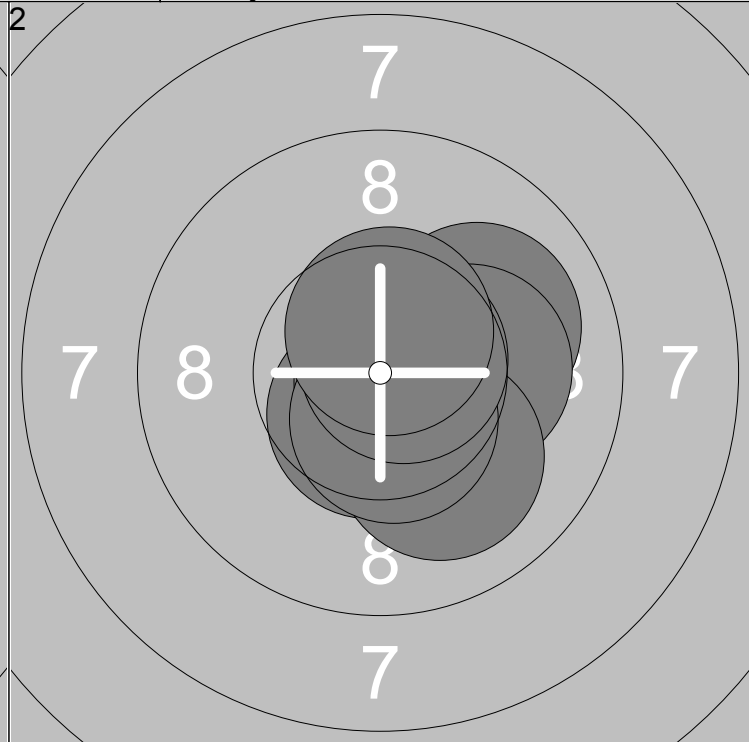
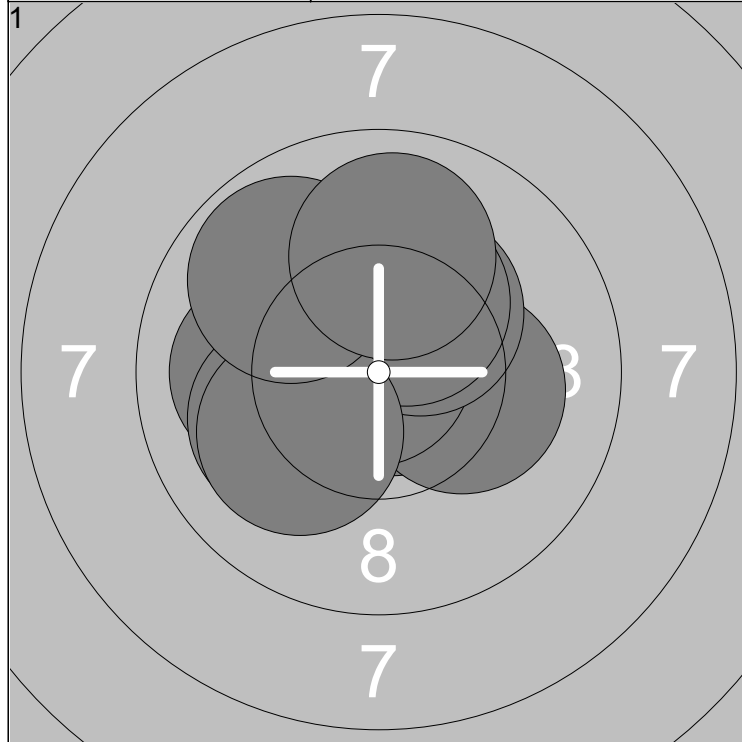
1: 9.9 ↓	6: 9.8 ↗	Series	100.6
2: 10.4x ↖	7: 10.0 ↗		
3: 10.2x ↗	8: 10.5x ↘	100.6	
4: 9.8 ←	9: 10.6x ↘		
5: 9.5 ←	10: 9.9 ↗		

1: 10.2x ↓	6: 9.5 ↗	Series	100.5
2: 10.5x ↗	7: 9.2 →		
3: 10.2x ↗	8: 9.8 ↗	201.1	
4: 10.6x ↓	9: 10.1 →		
5: 10.6x ↓	10: 9.8 ↘		



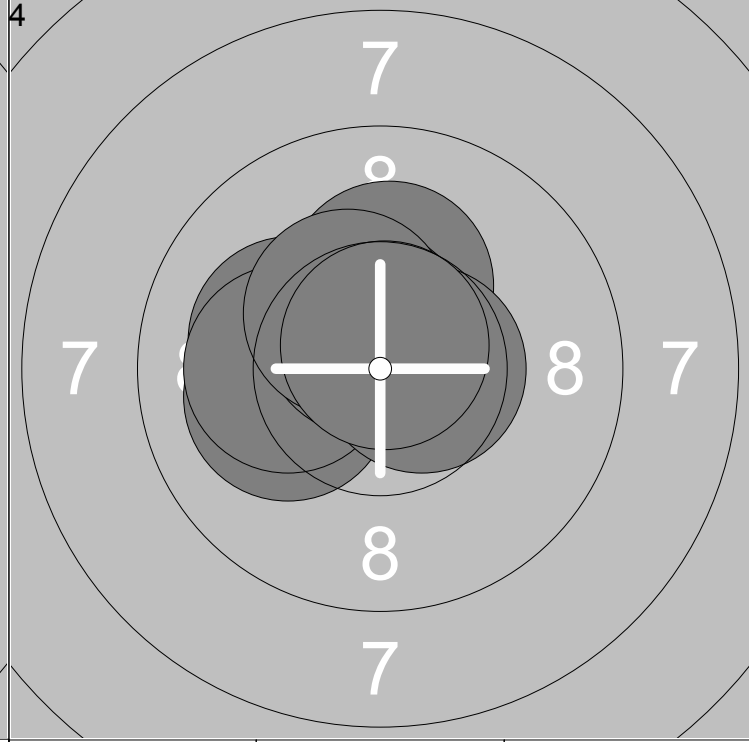
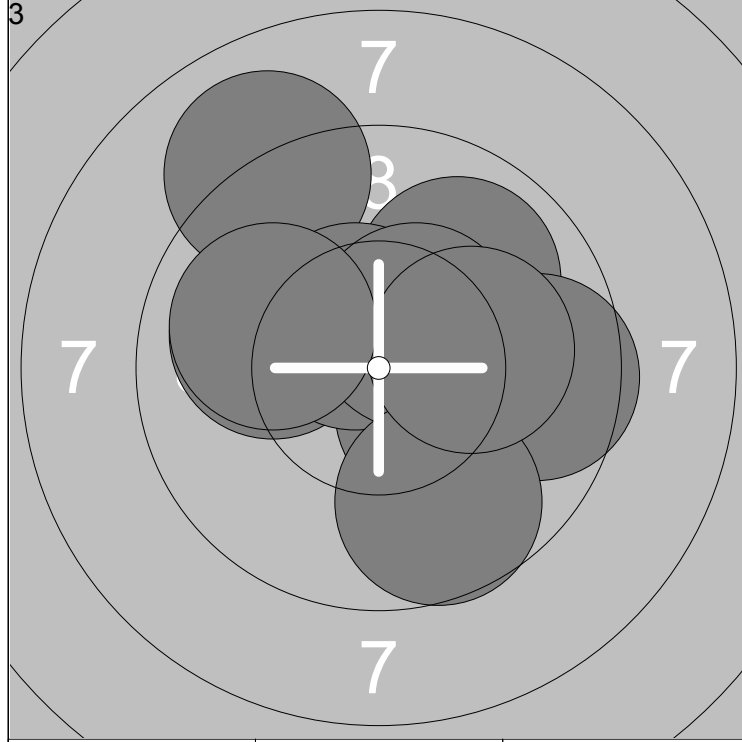
1: 10.5x ↗	6: 9.7 →	Series	103.2
2: 10.4x ↓	7: 10.1 →		
3: 10.3x ↘	8: 10.5x ↗	304.3	
4: 10.3x ↗	9: 10.4x ↘		
5: 10.6x ←	10: 10.4x ↗		

1: 9.9 →	6: 10.5x →	Series	99.8
2: 10.1 ↘	7: 9.6 →		
3: 9.5 ←	8: 9.7 ↘	404.1	
4: 9.2 →	9: 10.1 ↗		
5: 10.5x ↘	10: 10.7x ↘		



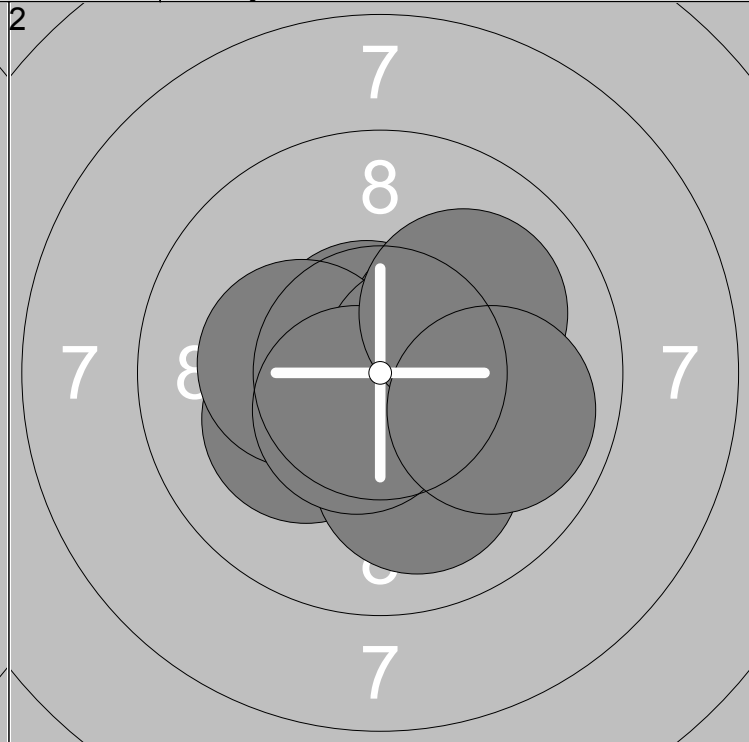
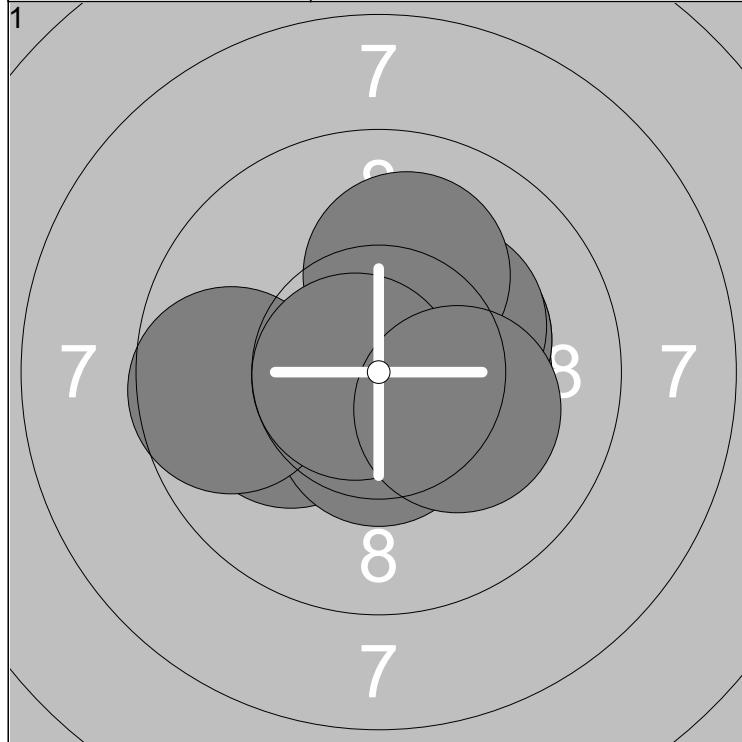
1: 10.8x →	6: 10.3x ↗	Series	102.4
2: 10.0 ←	7: 10.3x ↗		
3: 10.1 ↙	8: 10.1 ↙	102.4	
4: 10.2x →	9: 9.9 ↖		
5: 10.8x ↖	10: 9.9 ↑		

1: 10.6x ↓	6: 10.8x →	Series	104.8
2: 10.0 ↗	7: 10.1 ↓		
3: 10.6x ↘	8: 10.5x ↓	207.2	
4: 10.7x →	9: 10.7x ↗		
5: 10.2x →	10: 10.6x ↑		



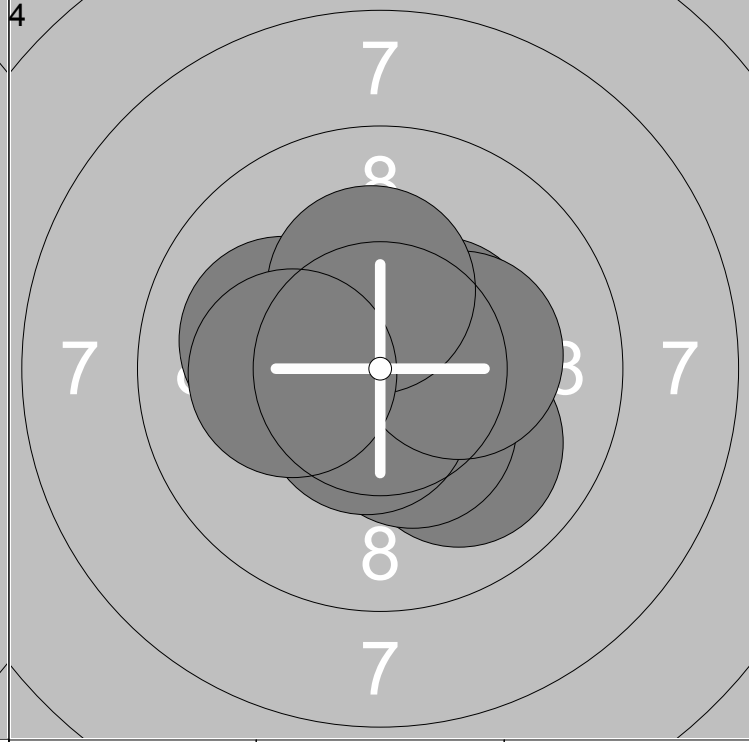
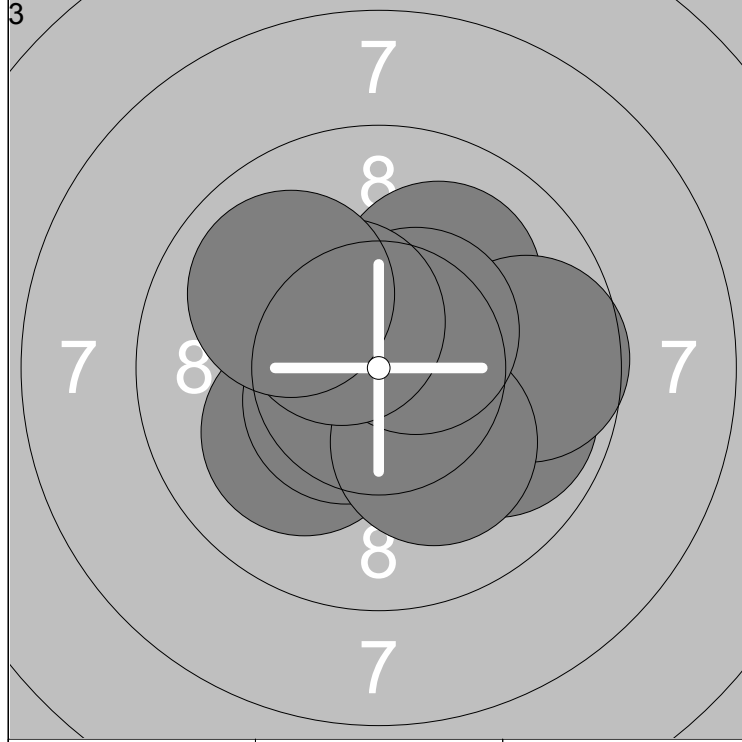
1: 10.0 ←	6: 10.5x ↗	Series	99.7
2: 9.9 ↗	7: 9.6 →		
3: 9.0 ↗	8: 9.7 ↓	306.9	
4: 10.3x ↘	9: 10.1 →		
5: 10.6x ↗	10: 10.0 ←		

1: 10.1 ↖	6: 10.1 ←	Series	104.1
2: 10.5x ↑	7: 10.6x ↗		
3: 10.2x ↑	8: 10.6x →	411.0	
4: 10.7x ↖	9: 10.4x ↖		
5: 10.1 ←	10: 10.8x ↑		



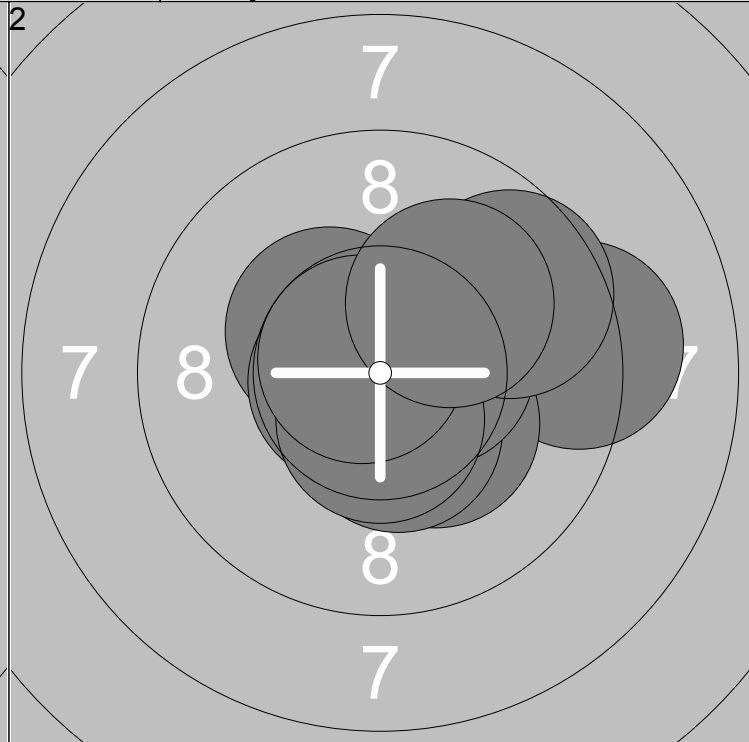
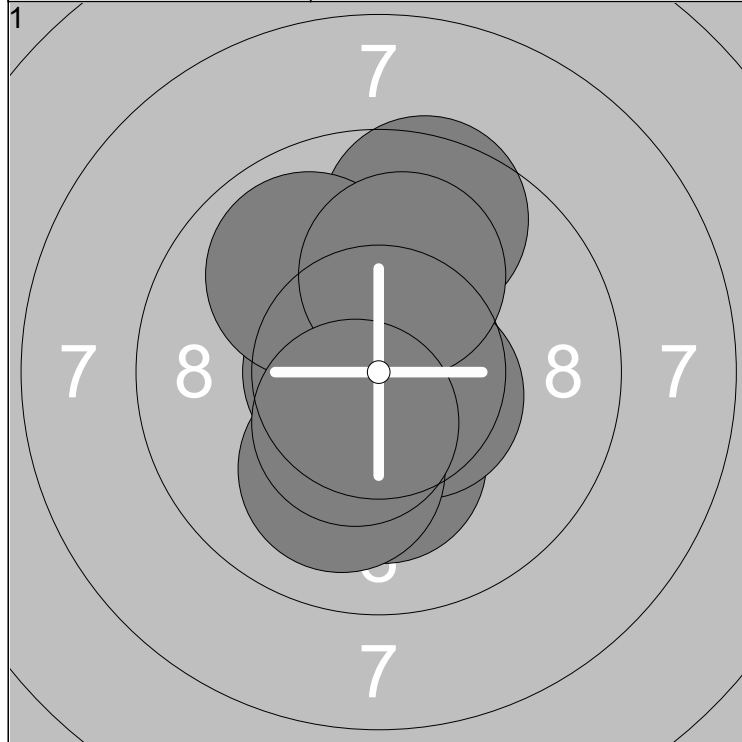
1: 10.2x ←	6: 10.3x →	Series	102.8
2: 10.5x ↓	7: 10.3x →		
3: 9.7 ←	8: 10.1 ↑	102.8	
4: 10.4x →	9: 10.8x ←		
5: 10.3x →	10: 10.2x ↘		

1: 10.7x ↗	6: 10.5x ↘	Series	103.0
2: 10.3x ↗	7: 10.0 ↓		
3: 10.2x ↙	8: 10.6x ↘	205.8	
4: 10.2x ←	9: 10.1 ↗		
5: 10.5x →	10: 9.9 ↘		



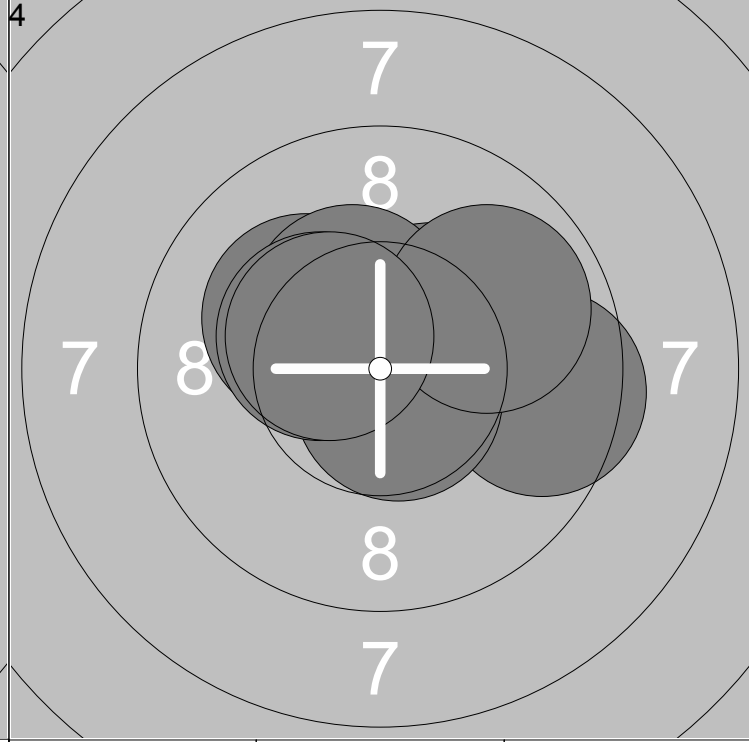
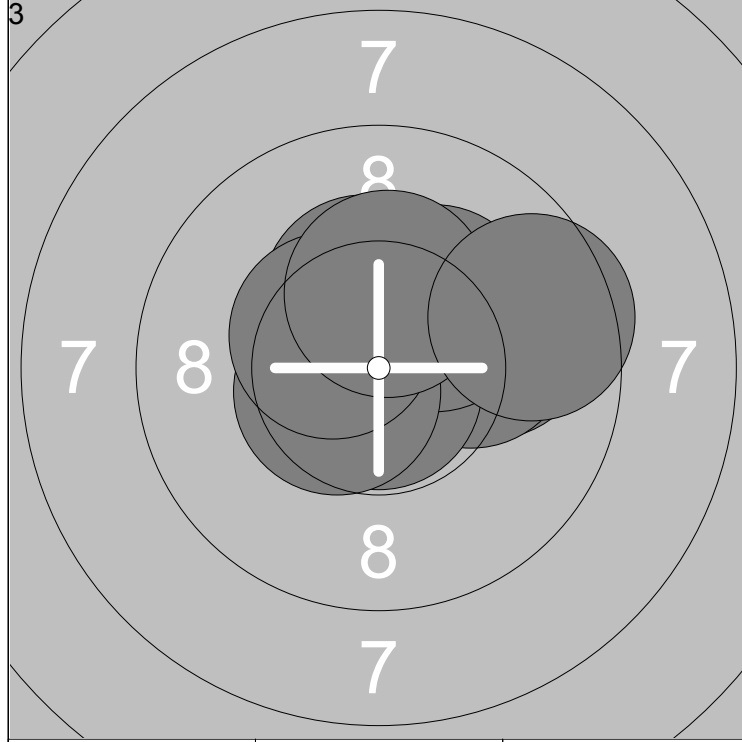
1: 10.1 ↙	6: 10.5x ↙	Series	102.1
2: 10.1 ↗	7: 10.2x ↘		
3: 10.7x ↗	8: 10.5x ↗	307.9	
4: 9.9 →	9: 10.4x ↗		
5: 9.7 →	10: 10.0 ↗		

1: 10.4x ↗	6: 10.4x ↓	Series	103.7
2: 10.7x ↙	7: 10.6x ↓		
3: 10.0 ↘	8: 10.3x →	411.6	
4: 10.7x ↓	9: 10.3x ↑		
5: 10.1 ←	10: 10.2x ←		



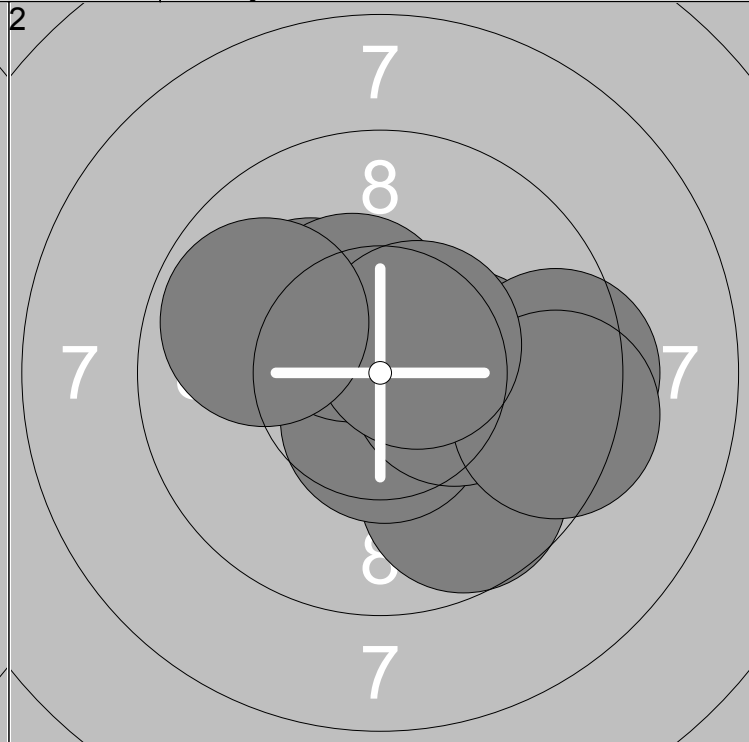
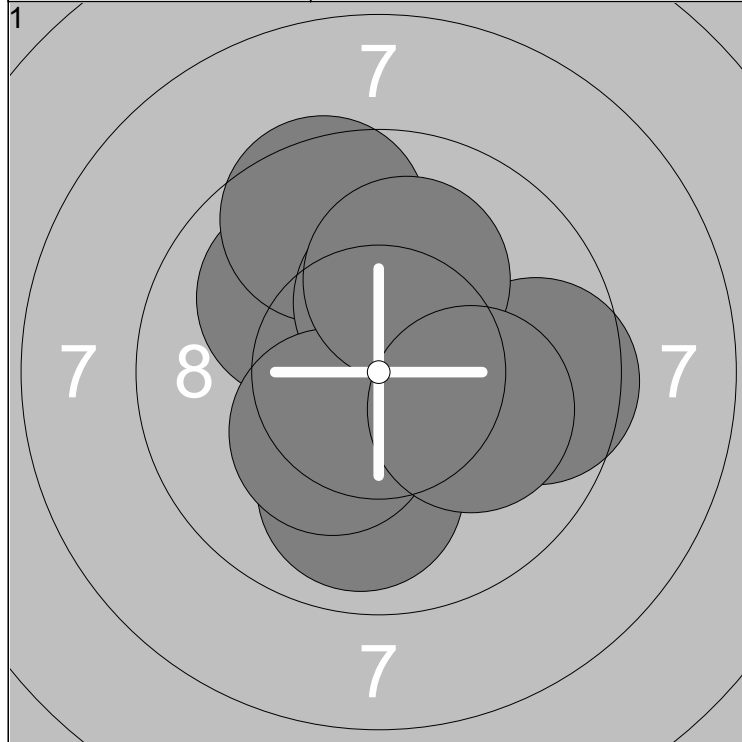
1: 10.7x →	6: 10.0 ↓	Series	102.3
2: 10.6x ←	7: 10.2x ↗		
3: 9.6 ↑	8: 9.9 ↗	102.3	
4: 10.2x ↓	9: 10.1 ↑		
5: 10.5x ↘	10: 10.5x ↓		

1: 9.2 →	6: 10.5x →	Series	102.5
2: 10.4x ↖	7: 10.5x ↓		
3: 10.3x ↘	8: 10.7x ↖	204.8	
4: 10.7x ←	9: 9.7 ↗		
5: 10.4x ↓	10: 10.1 ↗		



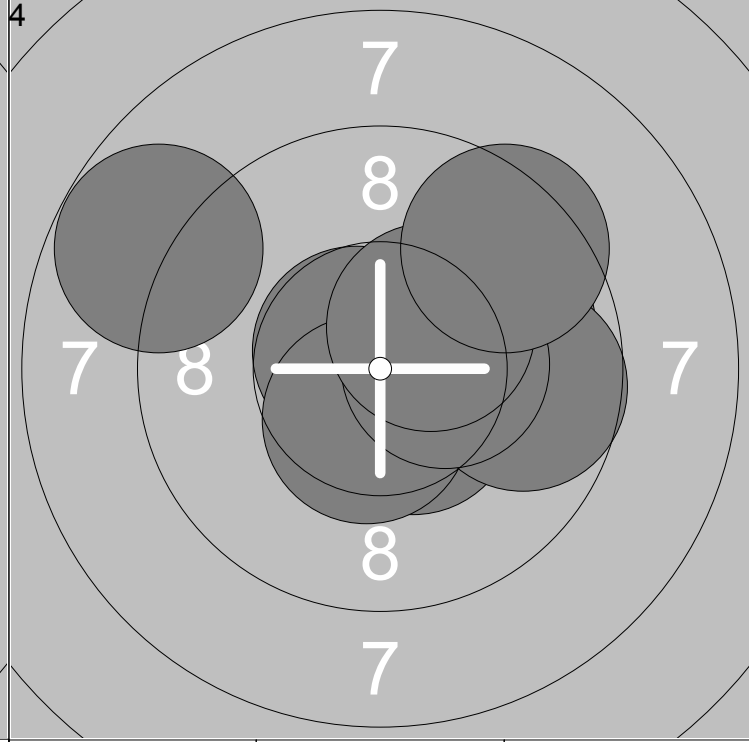
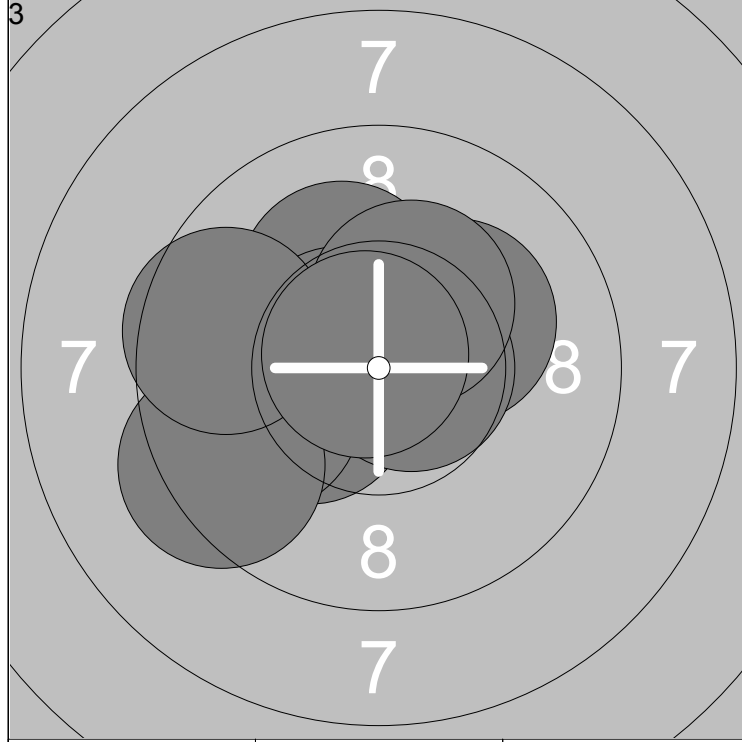
1: 9.9 →	6: 10.2x ↗	Series	102.9
2: 10.1 →	7: 10.5x ↖		
3: 10.7x ←	8: 10.5x ↖	307.7	
4: 10.8x ↓	9: 10.3x ↑		
5: 10.3x ↑	10: 9.6 →		

1: 10.4x ↗	6: 10.7x ↓	Series	102.7
2: 10.1 →	7: 10.4x ↗		
3: 10.2x ↖	8: 9.9 ↗	410.4	
4: 10.7x →	9: 10.4x ↖		
5: 9.5 →	10: 10.4x ↖		



1: 10.8x →	6: 9.5 ↖	Series	100.7
2: 10.1 ↗	7: 10.3x ↗		
3: 10.0 ↗	8: 10.3x ↘	100.7	
4: 9.6 →	9: 10.1 ↗		
5: 9.9 ↓	10: 10.1 →		

1: 10.3x →	6: 9.4 →	Series	100.7
2: 9.7 ↘	7: 9.4 →		
3: 10.2x ↗	8: 10.4x ↗	201.4	
4: 10.5x ↓	9: 10.6x ↗		
5: 10.3x →	10: 9.9 ↖		



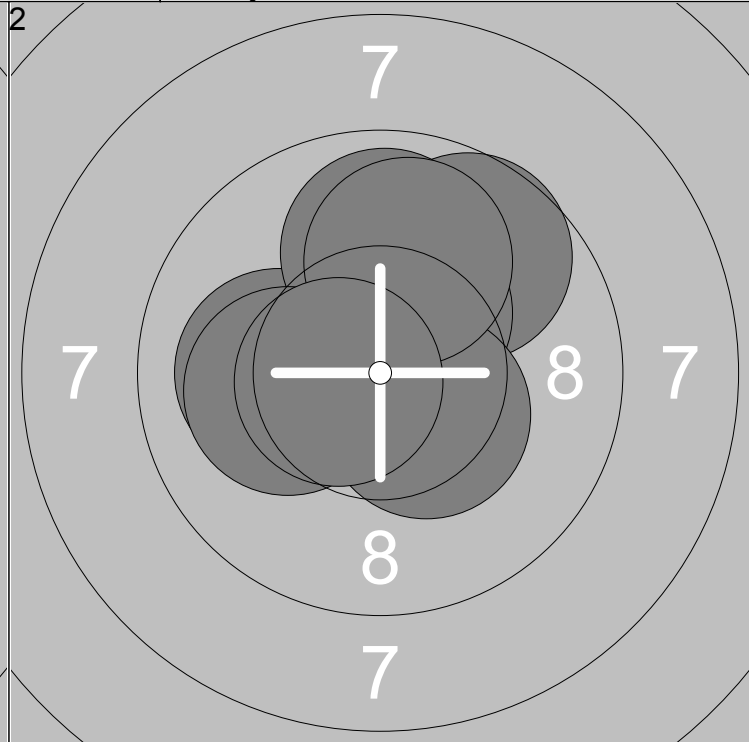
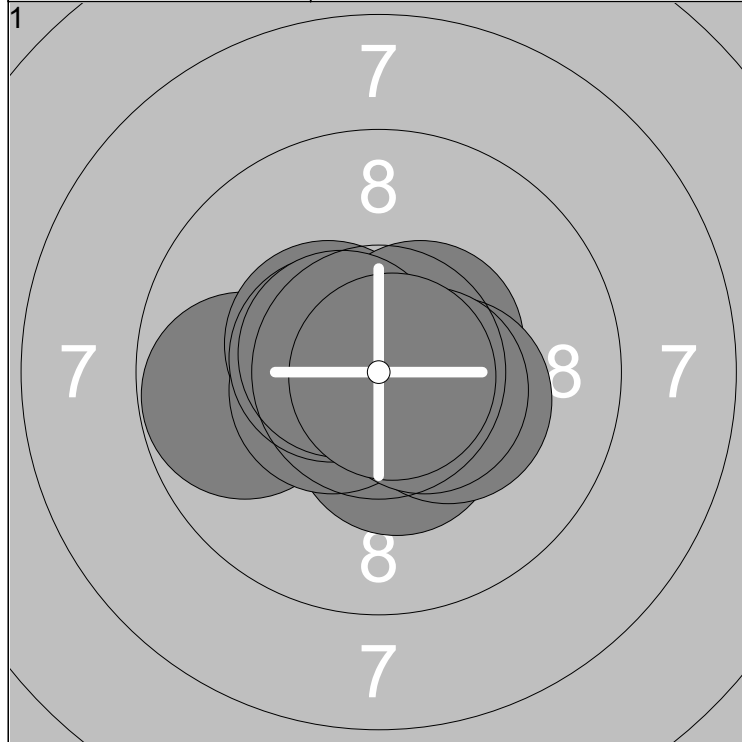
1: 10.2x ↗	6: 9.9 ↖	Series	101.9
2: 10.1 ↗	7: 10.3x ↗		
3: 10.3x ↖	8: 9.4 ↖	303.3	
4: 10.6x ↖	9: 9.6 ↖		
5: 10.7x →	10: 10.8x ↖		

1: 10.5x ↘	6: 9.7 →	Series	101.1
2: 10.7x →	7: 10.4x →		
3: 10.7x ↖	8: 10.4x ↗	404.4	
4: 9.9 →	9: 8.8 ↖		
5: 10.5x ↓	10: 9.5 ↗		

Relay	Lane	Emilia Bedoire	
1	12		

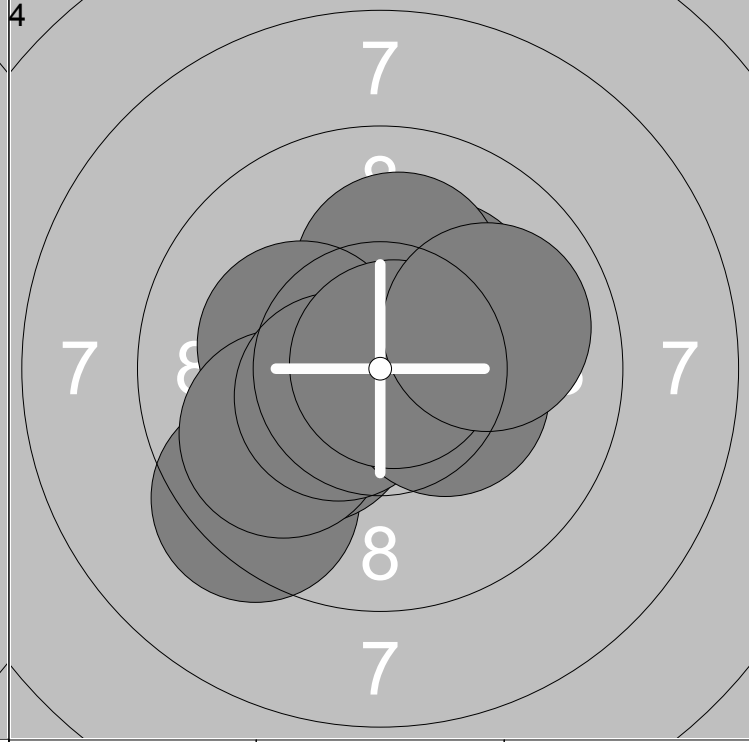
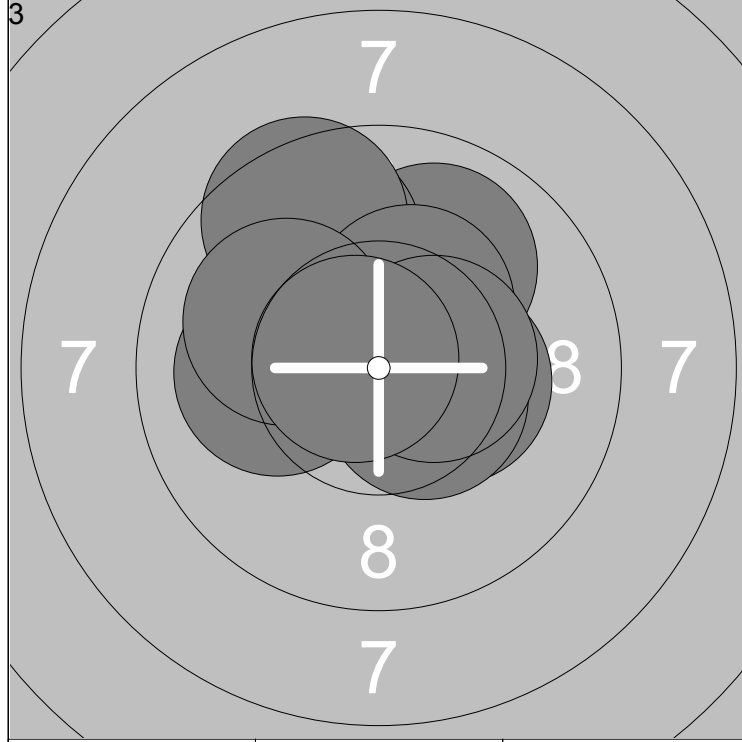
Qualification	SWE	Rifle	
---------------	-----	-------	--

2015-10-2/3/4	EYL	Söraby SKF
---------------	-----	------------



1: 9.8 ←	6: 10.5x ↙	Series	104.4
2: 10.4x ↓	7: 10.3x →		
3: 10.5x ↖	8: 10.6x ↗	Series	104.4
4: 10.5x ↗	9: 10.5x →		
5: 10.5x ←	10: 10.8x →		

1: 9.7 ↗	6: 9.9 ↑	Series	102.4
2: 10.8x ↗	7: 10.4x ↘		
3: 10.4x ↑	8: 10.0 ↑	Series	206.8
4: 10.1 ←	9: 10.1 ←		
5: 10.4x ↗	10: 10.6x ←		

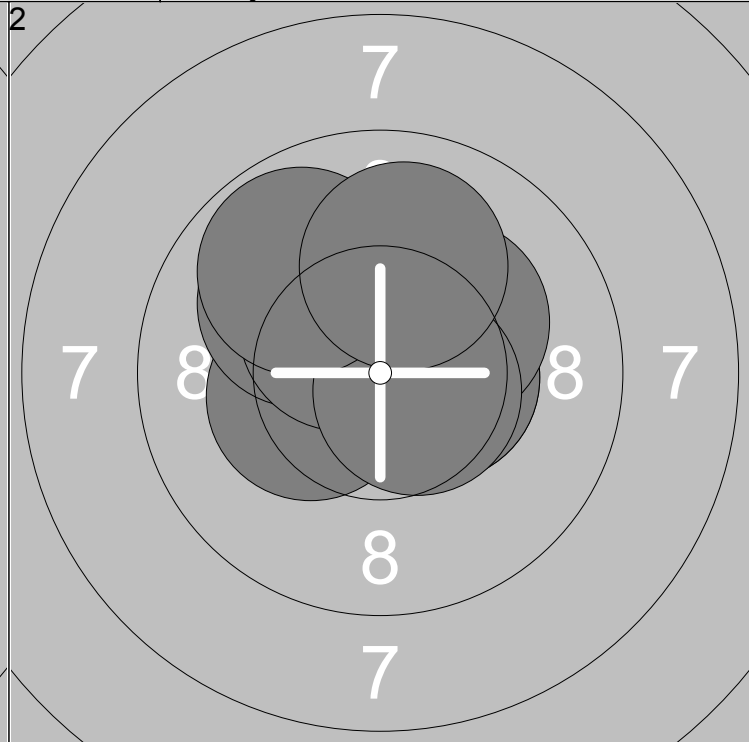
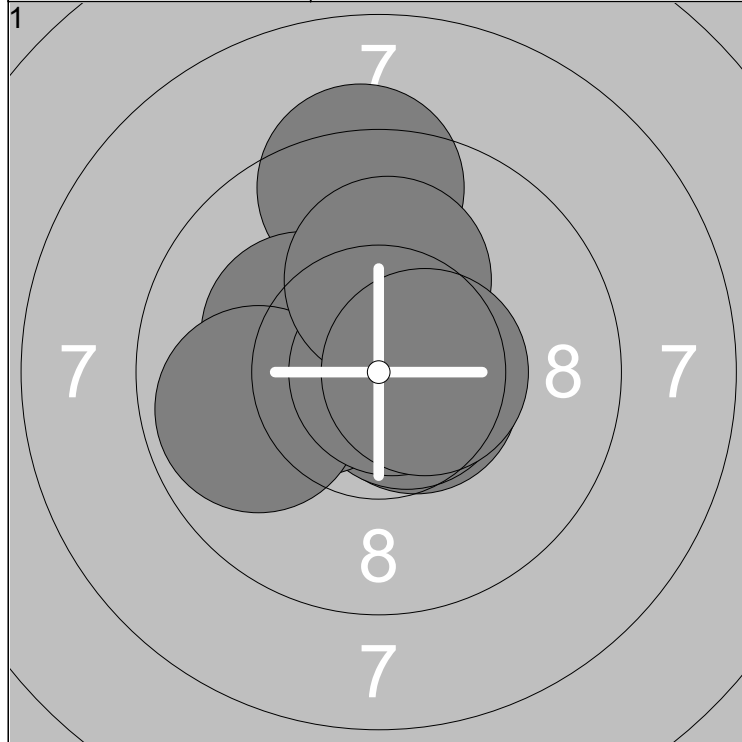


1: 10.0 ↗	6: 10.4x ↗	Series	101.8
2: 9.7 ↗	7: 10.5x ↘		
3: 10.1 ←	8: 10.0 ↖	Series	308.6
4: 9.5 ↗	9: 10.5x →		
5: 10.4x →	10: 10.7x ←		

1: 9.4 ↘	6: 9.9 ↘	Series	101.7
2: 10.2x ↘	7: 10.5x ↘		
3: 10.2x ↗	8: 10.4x →	Series	410.3
4: 10.1 ↑	9: 10.8x →		
5: 10.2x ←	10: 10.0 →		

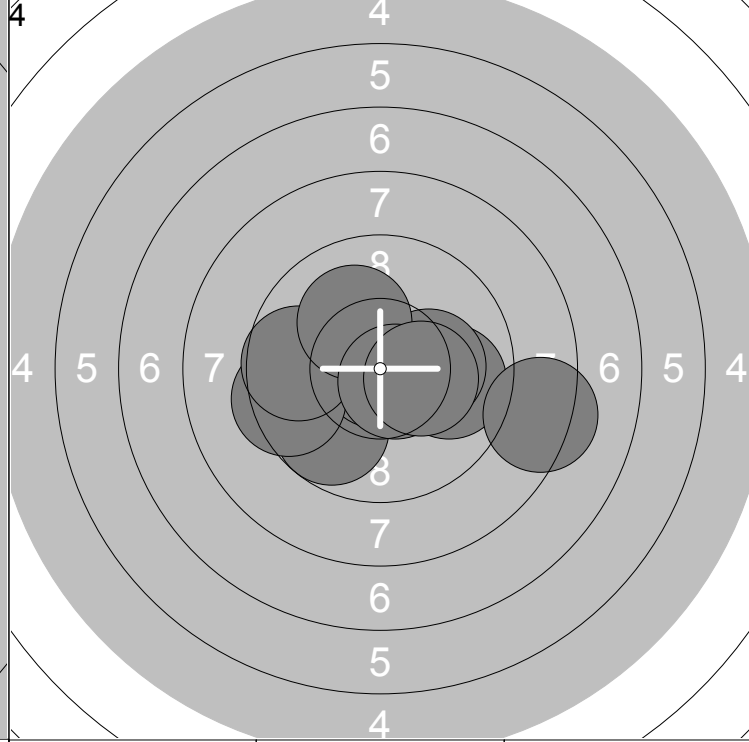
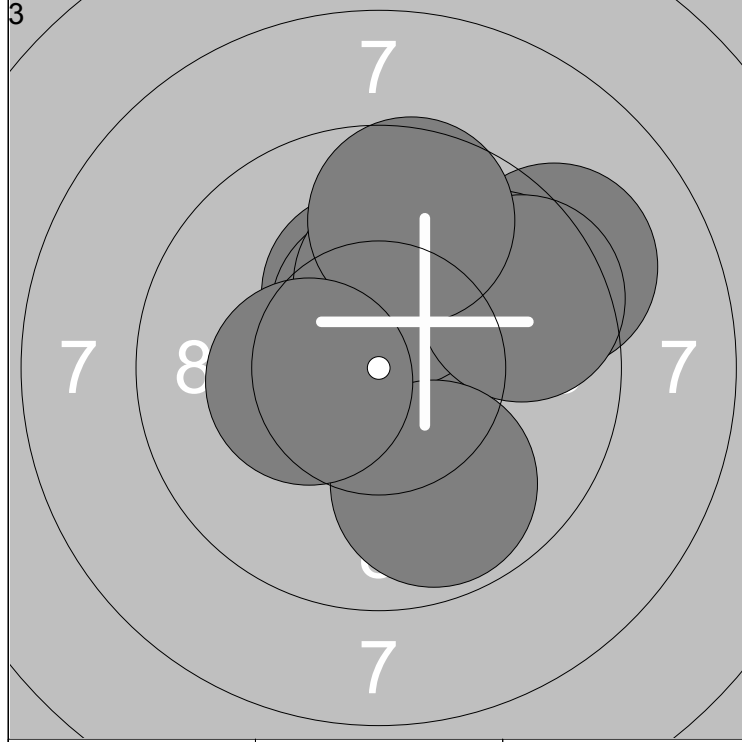
Relay 1	Lane 13	Christian Friman					
-------------------	-------------------	-------------------------	--	--	--	--	--

Qualification 2015-10-2/3/4	FIN EYL	Söraby SKF
---------------------------------------	------------	-------------------



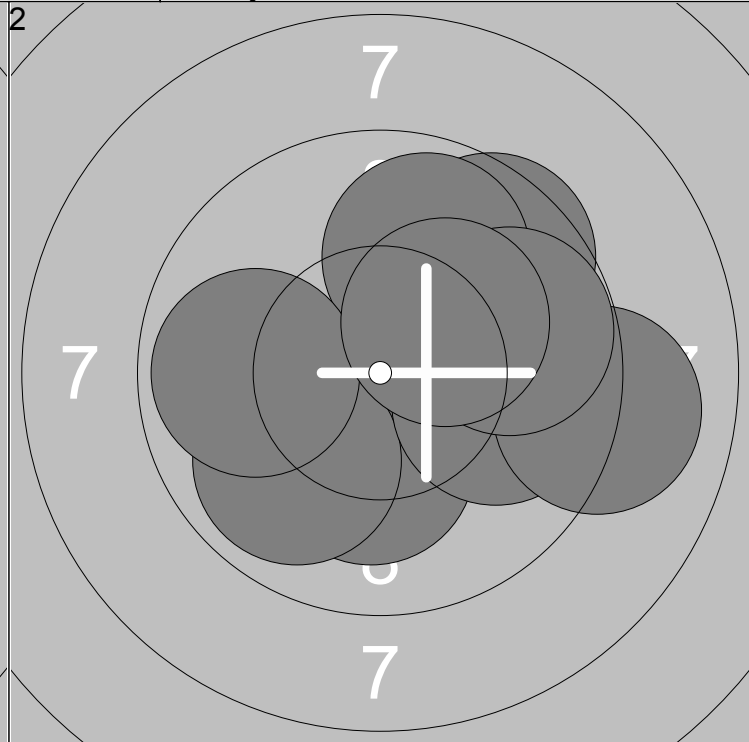
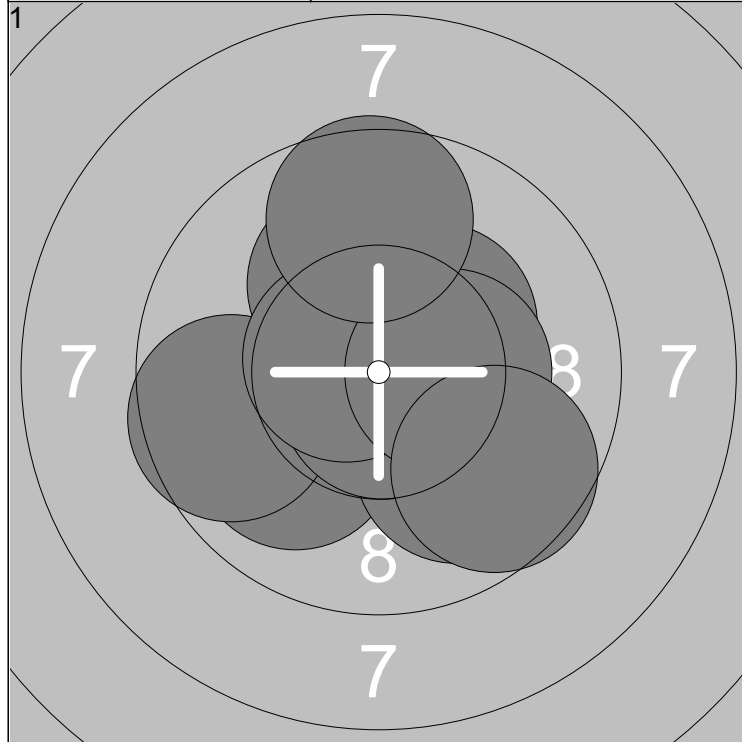
1: 10.6x →	6: 10.2x ↖	Series	102.9
2: 10.7x →	7: 9.9 ←		
3: 10.3x ←	8: 10.8x →	102.9	
4: 10.4x ←	9: 10.2x ↑		
5: 9.3 ↑	10: 10.5x →		

1: 10.5x →	6: 10.0 ↗	Series	103.0
2: 10.6x ↖	7: 10.5x ↗		
3: 10.5x →	8: 10.6x ↘	205.9	
4: 10.3x ←	9: 9.8 ↗		
5: 10.2x ↗	10: 10.0 ↑		



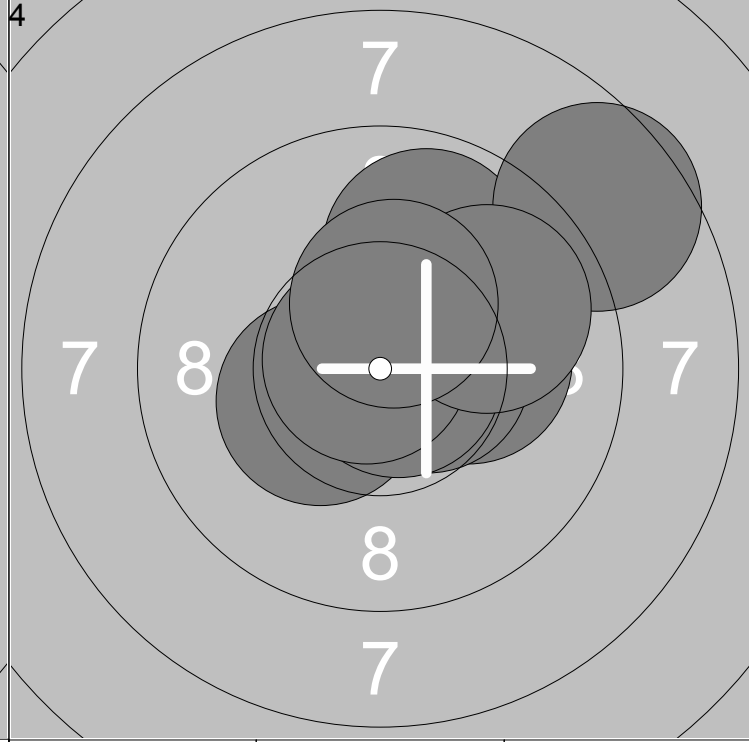
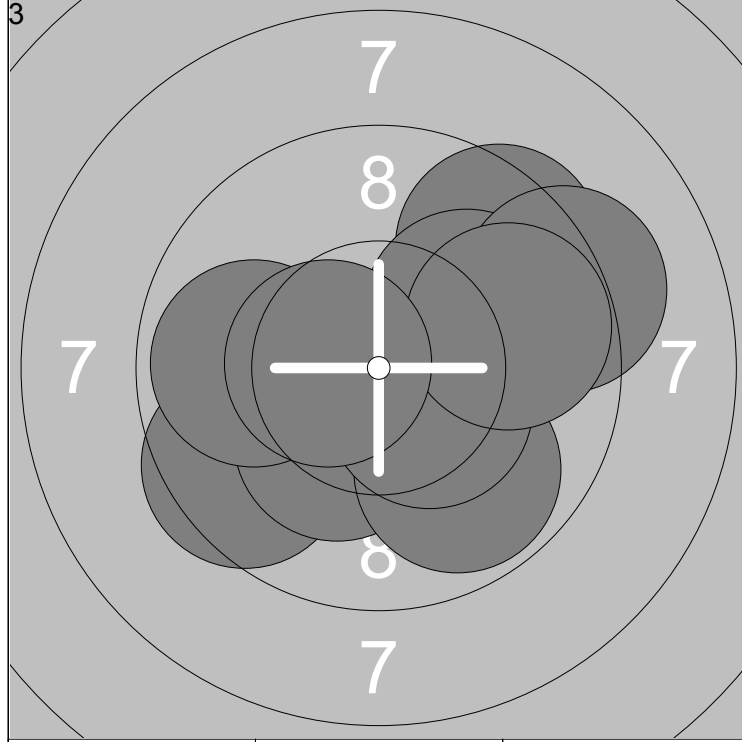
1: 10.6x ↑	6: 10.2x ↑	Series	99.9
2: 9.2 ↗	7: 9.6 ↗		
3: 10.3x ↑	8: 9.6 ↑	305.8	
4: 10.5x ↑	9: 9.8 ↓		
5: 9.8 ↗	10: 10.3x ←		

1: 9.8 ↘	6: 9.7 ←	Series	99.2
2: 10.9x ↘	7: 10.2x →		
3: 9.9 →	8: 10.1 ↗	405.0	
4: 8.3 →	9: 10.6x ↘		
5: 9.4 ←	10: 10.3x →		



1: 10.3x ↗	6: 10.7x ↓	Series	100.9
2: 10.0 ↘	7: 10.7x ↖		
3: 9.6 ←	8: 10.3x →	Series	100.9
4: 10.2x ↗	9: 9.6 ↑		
5: 9.9 ↘	10: 9.6 ↘		

1: 10.2x ↓	6: 9.9 →	Series	98.4
2: 10.0 ↗	7: 9.0 →		
3: 9.6 ↗	8: 9.9 ←	Series	199.3
4: 9.9 ↘	9: 9.8 →		
5: 9.9 ↗	10: 10.2x ↗		



1: 9.5 ↖	6: 10.1 ↗	Series	99.0
2: 9.5 ↗	7: 10.4x ↘		
3: 10.3x ↘	8: 9.2 →	Series	298.3
4: 9.9 ←	9: 9.8 →		
5: 9.8 ↘	10: 10.5x ←		

1: 10.4x ↖	6: 10.8x →	Series	102.3
2: 10.8x →	7: 8.6 ↗		
3: 9.9 ↗	8: 10.8x ↖	Series	400.6
4: 10.2x →	9: 9.9 ↗		
5: 10.5x →	10: 10.4x ↗		