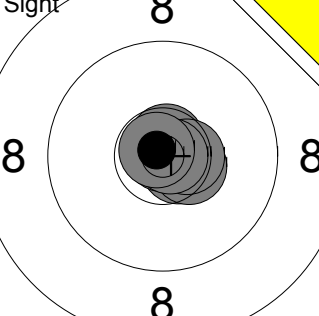
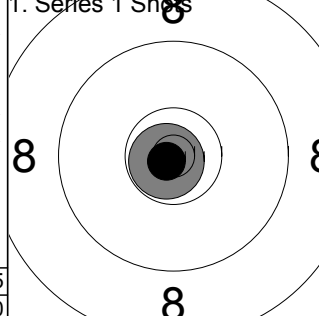
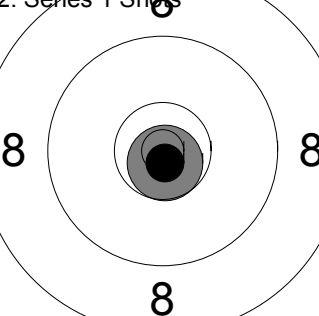
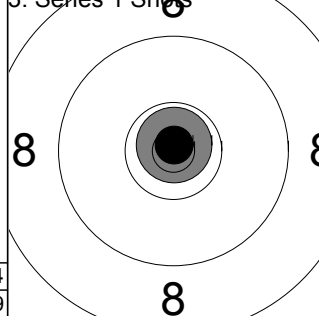
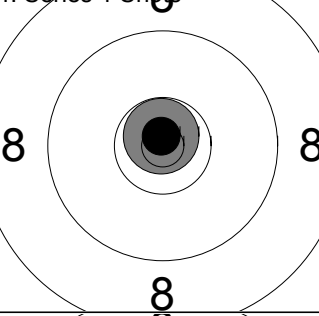
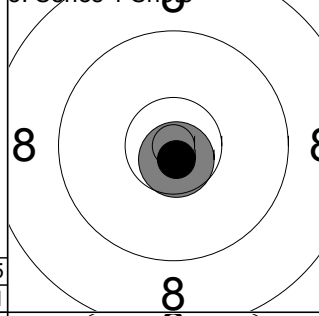
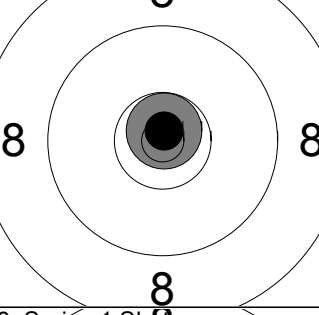
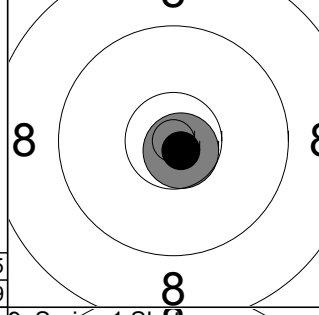
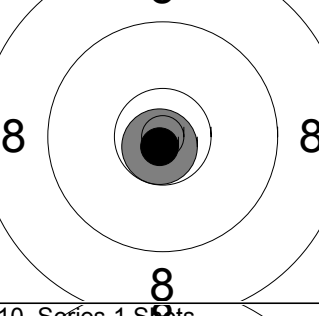
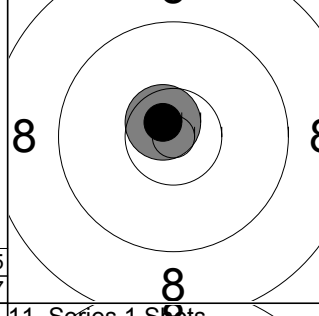
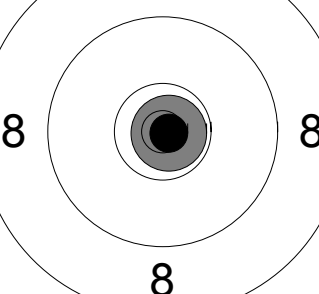
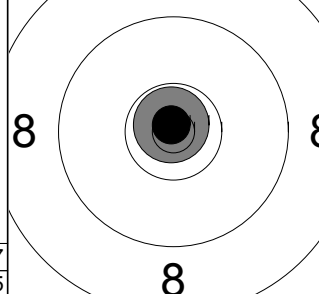
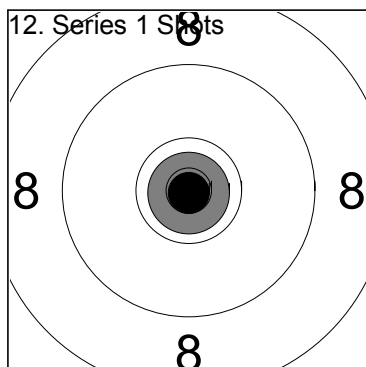


Relay 4	Lane 14	István Péni
-------------------	-------------------	--------------------

Luft	HUN	Rifle
------	-----	-------

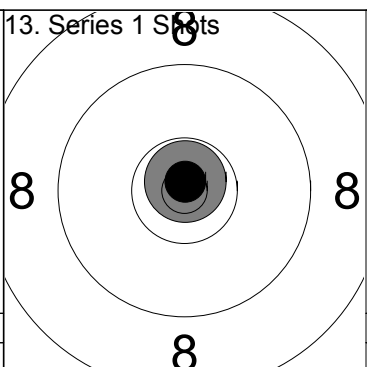
03.10.2015	EYL Final	Söraby SKF
------------	-----------	------------

Sight		<p>1: 10.0 →</p> <p>2: 9.6 ↘</p> <p>3: 10.8x ↑</p> <p>4: 10.2x ↑</p> <p>5: 9.8 →</p> <p>6: 10.6x →</p> <p>7: 10.5x ↗</p>	<p>1. Series 1 Shots</p> 	<p>1: 10.5x ↖</p>
	Series	71.5	Series	10.5
		0.0		10.5
2. Series 1 Shots		<p>1: 10.4x ↓</p>	<p>3. Series 1 Shots</p> 	<p>1: 10.7x ↑</p>
	Series	10.4	Series	10.7
		20.9		31.6
4. Series 1 Shots		<p>1: 10.5x ↑</p>	<p>5. Series 1 Shots</p> 	<p>1: 10.3x ↓</p>
	Series	10.5	Series	10.3
		42.1		52.4
6. Series 1 Shots		<p>1: 10.5x ↑</p>	<p>7. Series 1 Shots</p> 	<p>1: 10.3x ↘</p>
	Series	10.5	Series	10.3
		62.9		73.2
8. Series 1 Shots		<p>1: 10.5x ↓</p>	<p>9. Series 1 Shots</p> 	<p>1: 10.1 ↖</p>
	Series	10.5	Series	10.1
		83.7		93.8
10. Series 1 Shots		<p>1: 10.7x →</p>	<p>11. Series 1 Shots</p> 	<p>1: 10.6x ↑</p>
	Series	10.7	Series	10.6
		104.5		115.1



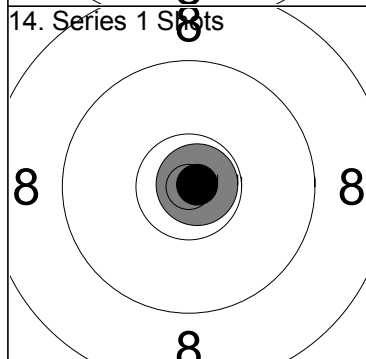
1: 10.8x ↓

Series	10.8
	125.9



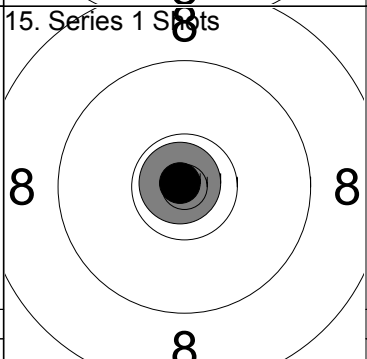
1: 10.5x ↑

Series	10.5
	136.4



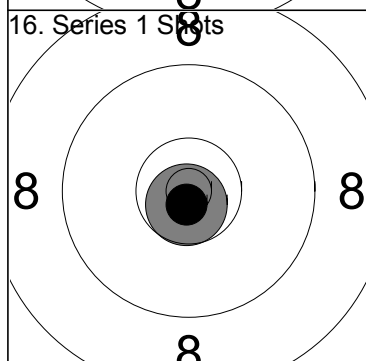
1: 10.6x →

Series	10.6
	147.0



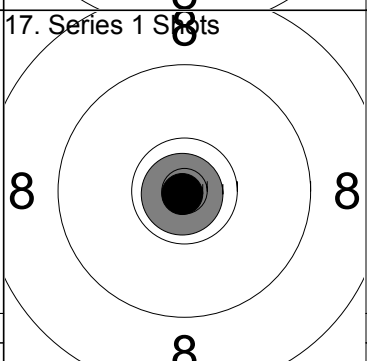
1: 10.7x ↖

Series	10.7
	157.7



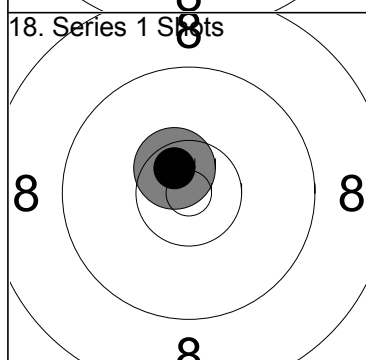
1: 10.3x ↓

Series	10.3
	168.0



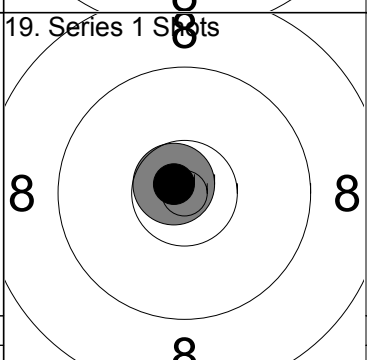
1: 10.8x ↙

Series	10.8
	178.8



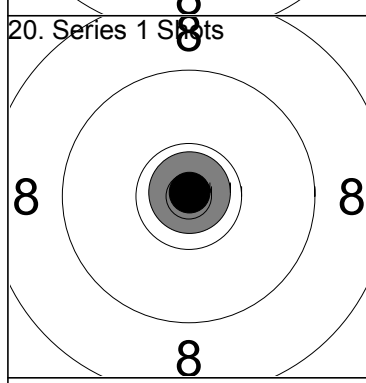
1: 9.7 ↖

Series	9.7
	188.5



1: 10.3x ↖

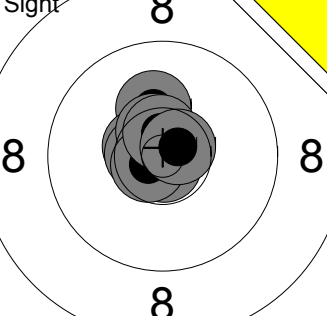
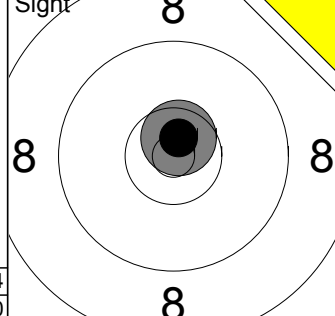
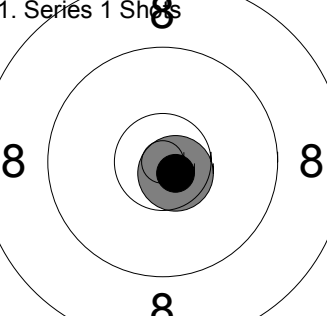
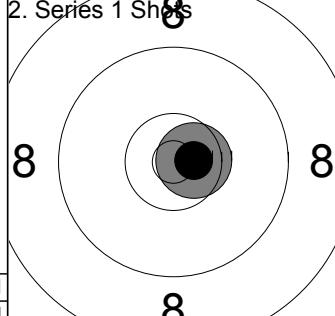
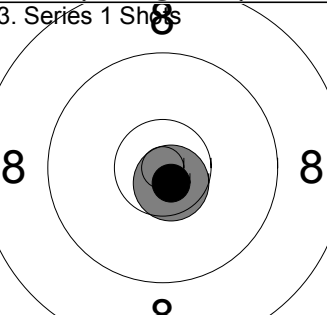
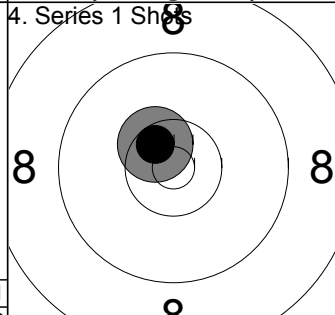
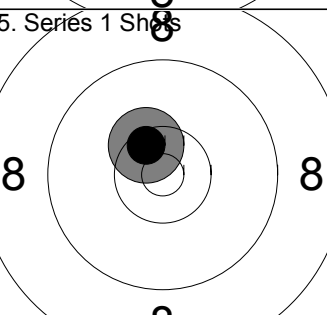
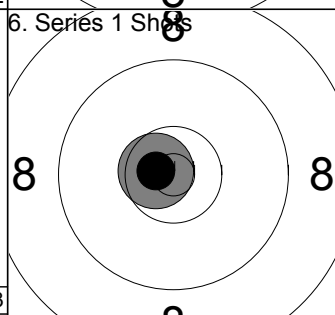
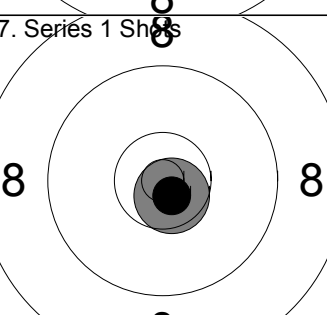
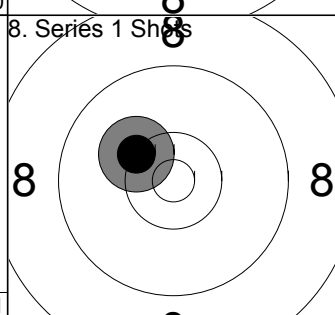
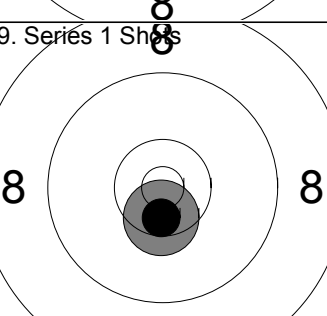
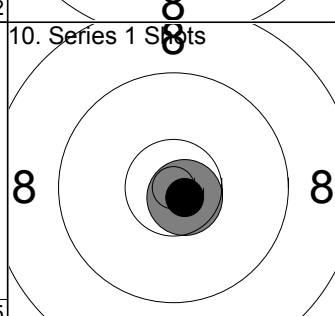
Series	10.3
	198.8

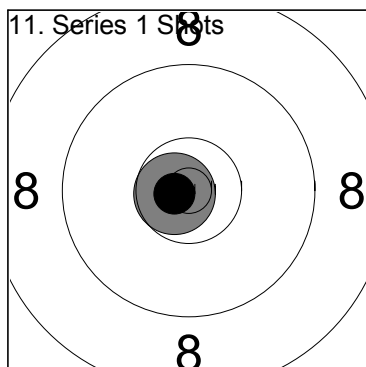


1: 10.8x ↑

Series	10.8
	209.6

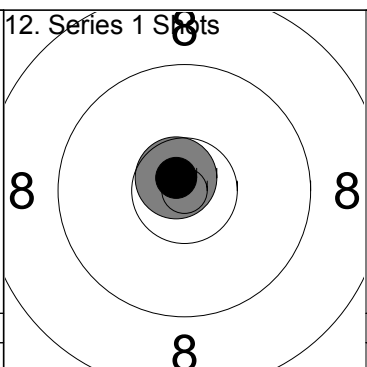
--	--

Sight 	1: 9.9 2: 8.6 3: 10.7x 4: 9.8 5: 10.0 6: 10.6x 7: 9.7 8: 10.2x 9: 9.8 10: 10.1 Series 99.4 0.0	Sight 	11: 10.0 Series 10.0 0.0
1. Series 1 Shots 	1: 10.1 Series 10.1 10.1	2. Series 1 Shots 	1: 10.0 Series 10.0 20.1
3. Series 1 Shots 	1: 10.1 Series 10.1 30.2	4. Series 1 Shots 	1: 9.5 Series 9.5 39.7
5. Series 1 Shots 	1: 9.3 Series 9.3 49.0	6. Series 1 Shots 	1: 10.1 Series 10.1 59.1
7. Series 1 Shots 	1: 10.1 Series 10.1 69.2	8. Series 1 Shots 	1: 8.8 Series 8.8 78.0
9. Series 1 Shots 	1: 9.5 Series 9.5 87.5	10. Series 1 Shots 	1: 10.2x Series 10.2 97.7



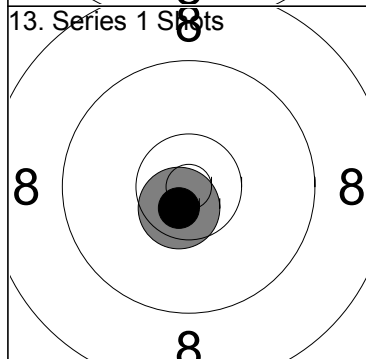
1: 10.3x ←

Series	10.3
	108.0



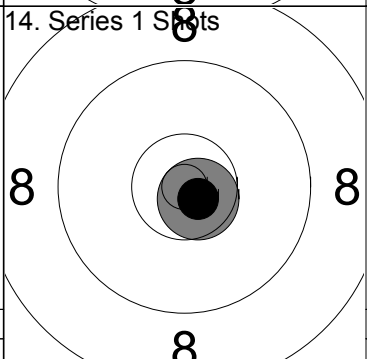
1: 10.3x ↗

Series	10.3
	118.3



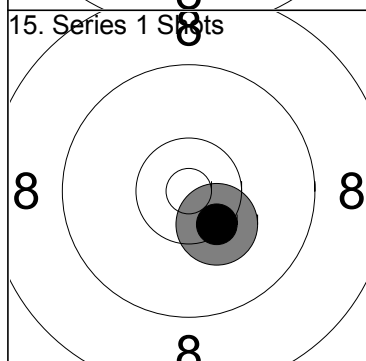
1: 9.9 ↘

Series	9.9
	128.2



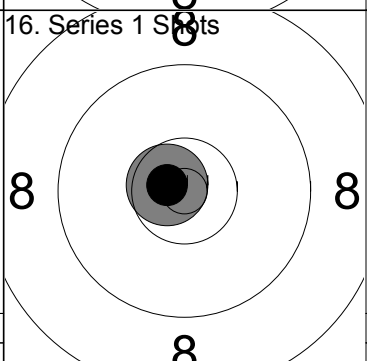
1: 10.2x ↘

Series	10.2
	138.4



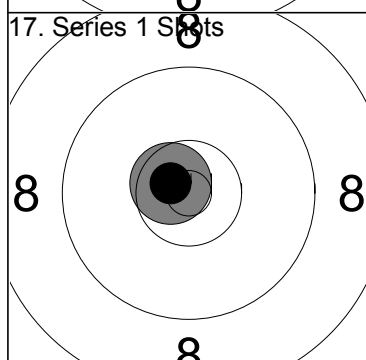
1: 9.1 ↘

Series	9.1
	147.5



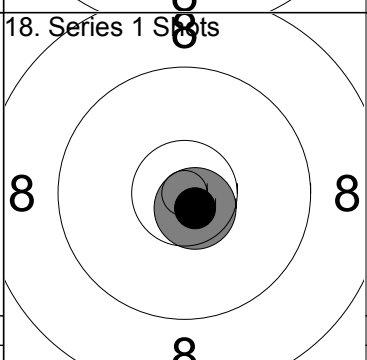
1: 10.1 ←

Series	10.1
	157.6



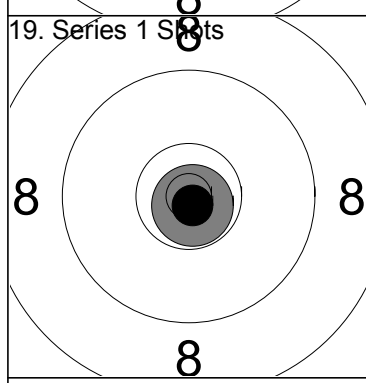
1: 10.1 ←

Series	10.1
	167.7



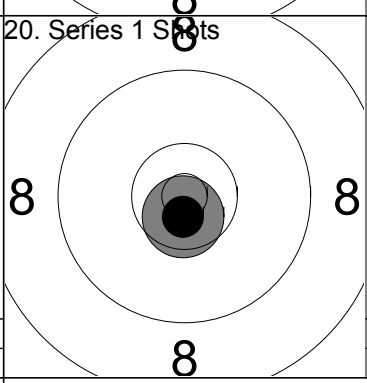
1: 10.1 ↘

Series	10.1
	177.8



1: 10.5x ↘

Series	10.5
	188.3

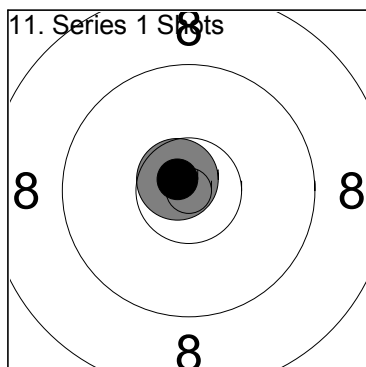


1: 10.1 ↘

Series	10.1
	198.4

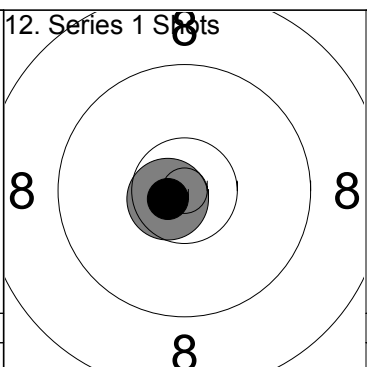
--	--

Sight 	1: 9.9 2: 10.1 3: 10.0 4: 10.2x 5: 8.6 6: 10.2x 7: 10.2x 8: 10.1 9: 10.1 10: 10.7x Series 100.1 0.0	Sight 	11: 10.2x 12: 9.9 13: 10.4x 14: 9.8 15: 10.2x Series 50.5 0.0
1. Series 1 Shots 	1: 10.3x Series 10.3 10.3	2. Series 1 Shots 	1: 10.4x Series 10.4 20.7
3. Series 1 Shots 	1: 10.3x Series 10.3 31.0	4. Series 1 Shots 	1: 10.0 Series 10.0 41.0
5. Series 1 Shots 	1: 10.3x Series 10.3 51.3	6. Series 1 Shots 	1: 10.7x Series 10.7 62.0
7. Series 1 Shots 	1: 10.5x Series 10.5 72.5	8. Series 1 Shots 	1: 10.0 Series 10.0 82.5
9. Series 1 Shots 	1: 10.7x Series 10.7 93.2	10. Series 1 Shots 	1: 10.3x Series 10.3 103.5



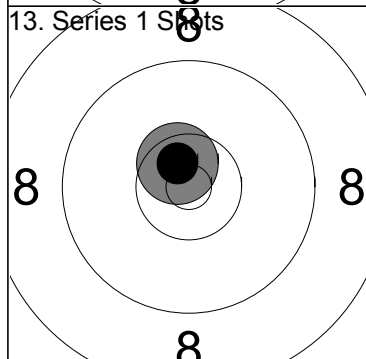
1: 10.2x ↖

Series	10.2
	113.7



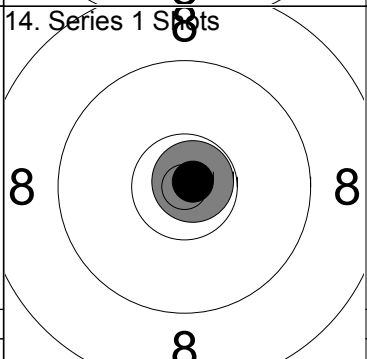
1: 10.1 ↗

Series	10.1
	123.8



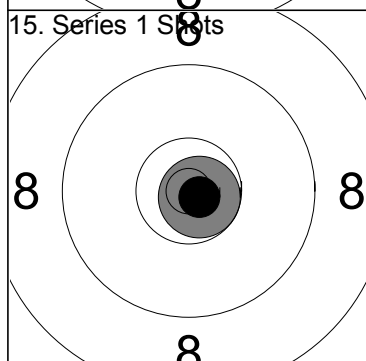
1: 9.8 ↖

Series	9.8
	133.6



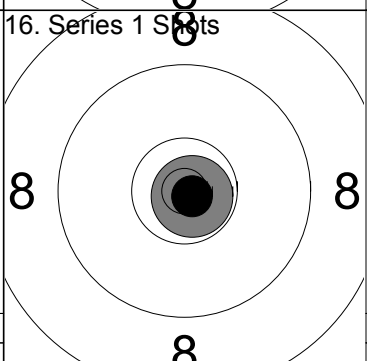
1: 10.5x ↗

Series	10.5
	144.1



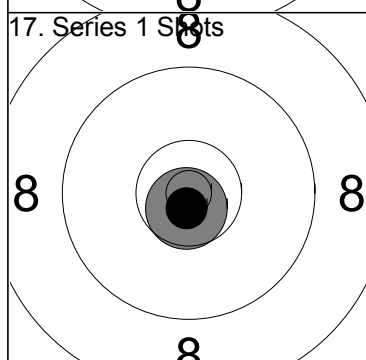
1: 10.4x ↗

Series	10.4
	154.5



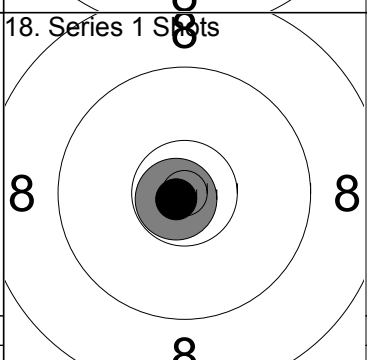
1: 10.5x ↘

Series	10.5
	165.0



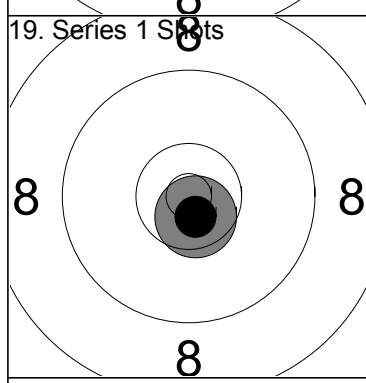
1: 10.3x ↓

Series	10.3
	175.3



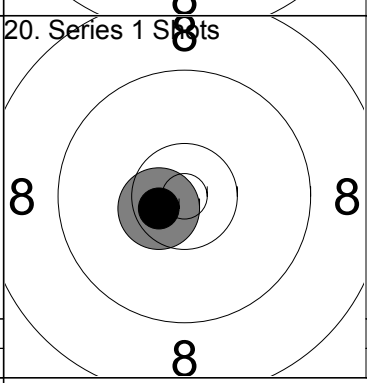
1: 10.5x ↖

Series	10.5
	185.8



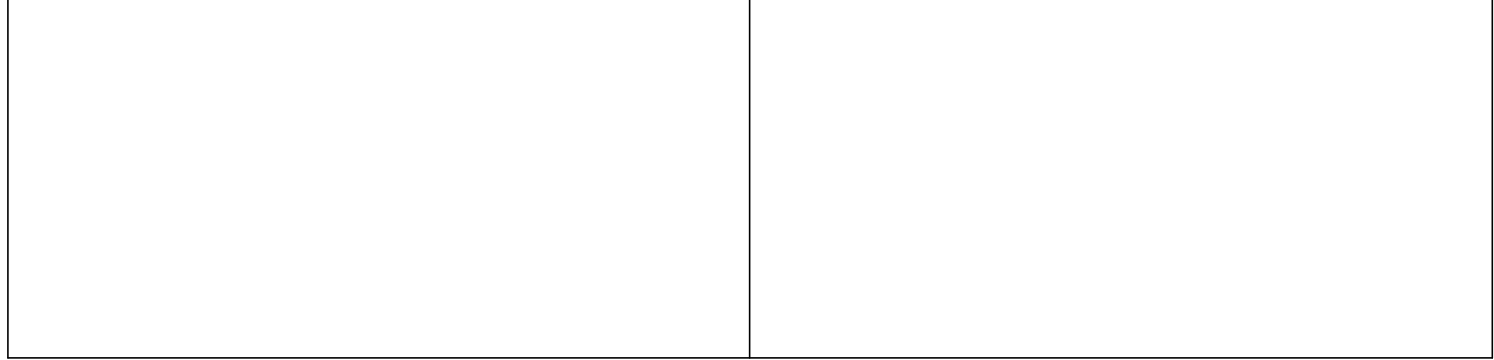
1: 10.0 ↓

Series	10.0
	195.8



1: 9.7 ↖

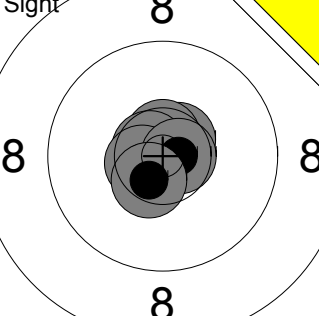
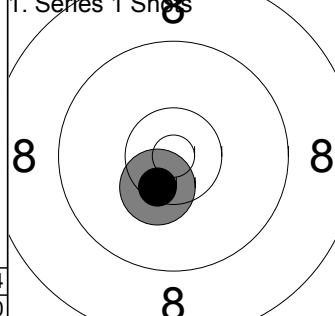
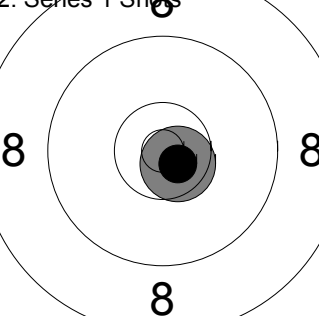
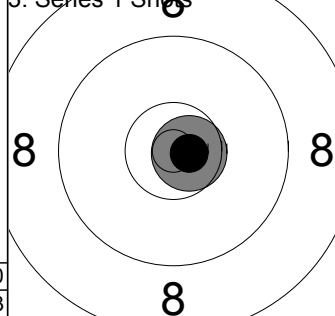
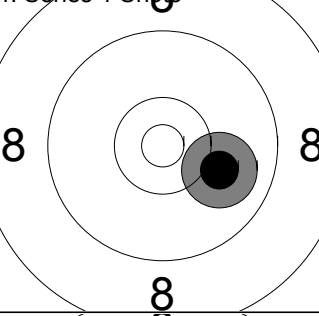
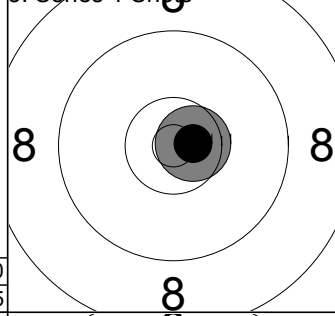
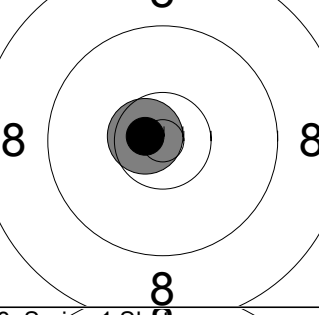
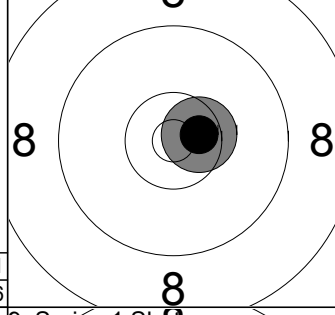
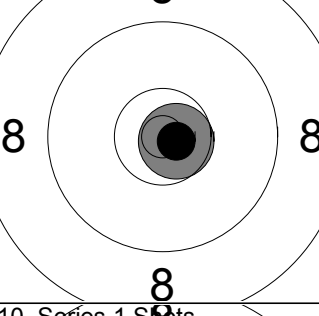
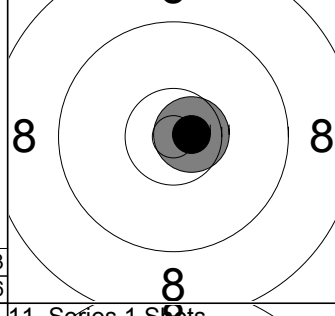
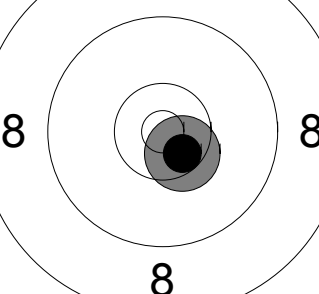
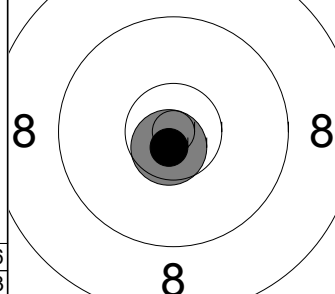
Series	9.7
	205.5

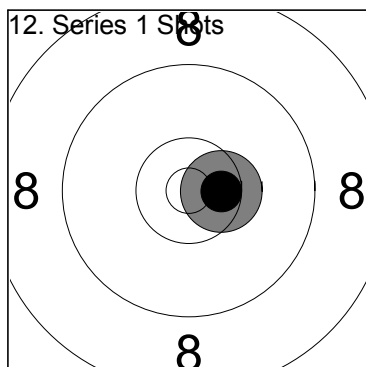


Relay 4	Lane 17	Ines Niewada					
--------------------------	--------------------------	---------------------	--	--	--	--	--

Luft	FRA	Rifle
-------------	------------	--------------

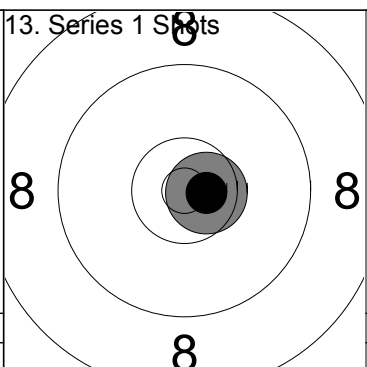
03.10.2015	EYL Final	Söraby SKF
-------------------	------------------	-------------------

Sight 	<table style="width:100%; border-collapse: collapse;"> <tr> <td style="width:50%;">1: 10.1</td> <td style="width:50%; text-align: right;">↙</td> </tr> <tr> <td>2: 9.9</td> <td style="text-align: right;">↗</td> </tr> <tr> <td>3: 10.1</td> <td style="text-align: right;">↑</td> </tr> <tr> <td>4: 10.3x</td> <td style="text-align: right;">↖</td> </tr> <tr> <td>5: 10.3x</td> <td style="text-align: right;">↗</td> </tr> <tr> <td>6: 9.9</td> <td style="text-align: right;">↖</td> </tr> <tr> <td>7: 10.2x</td> <td style="text-align: right;">→</td> </tr> <tr> <td>8: 9.6</td> <td style="text-align: right;">↙</td> </tr> </table>	1: 10.1	↙	2: 9.9	↗	3: 10.1	↑	4: 10.3x	↖	5: 10.3x	↗	6: 9.9	↖	7: 10.2x	→	8: 9.6	↙	1. Series 1 Shots  <table style="width:100%; border-collapse: collapse;"> <tr> <td style="width:50%;">1: 9.3</td> <td style="width:50%; text-align: right;">↙</td> </tr> </table>	1: 9.3	↙	
1: 10.1	↙																				
2: 9.9	↗																				
3: 10.1	↑																				
4: 10.3x	↖																				
5: 10.3x	↗																				
6: 9.9	↖																				
7: 10.2x	→																				
8: 9.6	↙																				
1: 9.3	↙																				
2. Series 1 Shots 	<table style="width:100%; border-collapse: collapse;"> <tr> <td style="width:50%;">1: 10.0</td> <td style="width:50%; text-align: right;">↘</td> </tr> </table>	1: 10.0	↘	3. Series 1 Shots  <table style="width:100%; border-collapse: collapse;"> <tr> <td style="width:50%;">1: 10.2x</td> <td style="width:50%; text-align: right;">→</td> </tr> </table>	1: 10.2x	→															
1: 10.0	↘																				
1: 10.2x	→																				
4. Series 1 Shots 	<table style="width:100%; border-collapse: collapse;"> <tr> <td style="width:50%;">1: 8.0</td> <td style="width:50%; text-align: right;">→</td> </tr> </table>	1: 8.0	→	5. Series 1 Shots  <table style="width:100%; border-collapse: collapse;"> <tr> <td style="width:50%;">1: 10.0</td> <td style="width:50%; text-align: right;">→</td> </tr> </table>	1: 10.0	→															
1: 8.0	→																				
1: 10.0	→																				
6. Series 1 Shots 	<table style="width:100%; border-collapse: collapse;"> <tr> <td style="width:50%;">1: 10.1</td> <td style="width:50%; text-align: right;">←</td> </tr> </table>	1: 10.1	←	7. Series 1 Shots  <table style="width:100%; border-collapse: collapse;"> <tr> <td style="width:50%;">1: 9.7</td> <td style="width:50%; text-align: right;">→</td> </tr> </table>	1: 9.7	→															
1: 10.1	←																				
1: 9.7	→																				
8. Series 1 Shots 	<table style="width:100%; border-collapse: collapse;"> <tr> <td style="width:50%;">1: 10.3x</td> <td style="width:50%; text-align: right;">→</td> </tr> </table>	1: 10.3x	→	9. Series 1 Shots  <table style="width:100%; border-collapse: collapse;"> <tr> <td style="width:50%;">1: 10.1</td> <td style="width:50%; text-align: right;">→</td> </tr> </table>	1: 10.1	→															
1: 10.3x	→																				
1: 10.1	→																				
10. Series 1 Shots 	<table style="width:100%; border-collapse: collapse;"> <tr> <td style="width:50%;">1: 9.6</td> <td style="width:50%; text-align: right;">↘</td> </tr> </table>	1: 9.6	↘	11. Series 1 Shots  <table style="width:100%; border-collapse: collapse;"> <tr> <td style="width:50%;">1: 10.2x</td> <td style="width:50%; text-align: right;">↙</td> </tr> </table>	1: 10.2x	↙															
1: 9.6	↘																				
1: 10.2x	↙																				



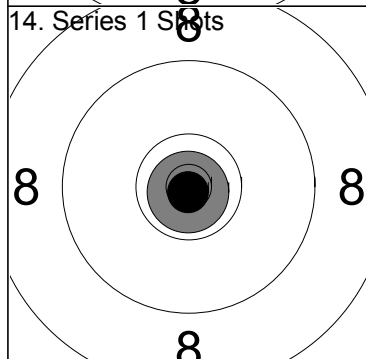
1: 9.5 →

Series	9.5
	117.0



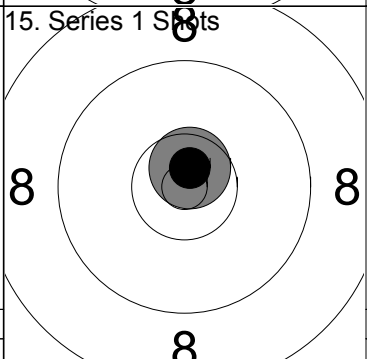
1: 10.0 →

Series	10.0
	127.0



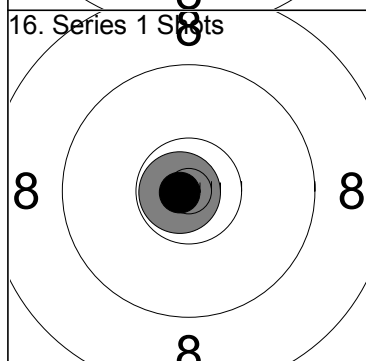
1: 10.7x ↓

Series	10.7
	137.7



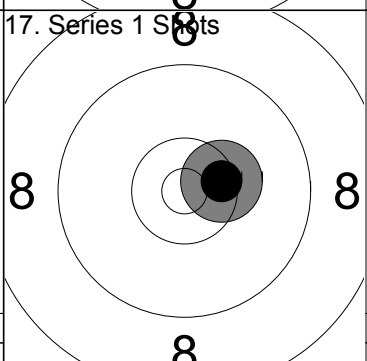
1: 10.1 ↑

Series	10.1
	147.8



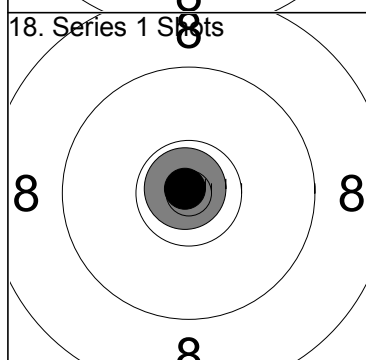
1: 10.5x ←

Series	10.5
	158.3



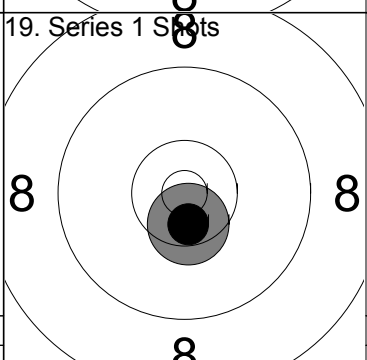
1: 9.3 →

Series	9.3
	167.6



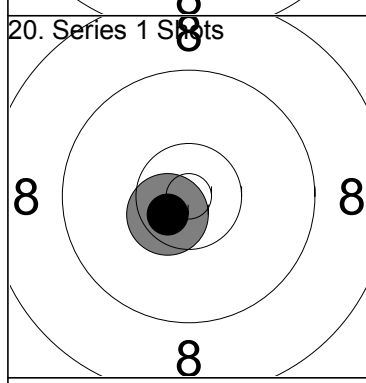
1: 10.7x ↖

Series	10.7
	178.3



1: 9.6 ↓

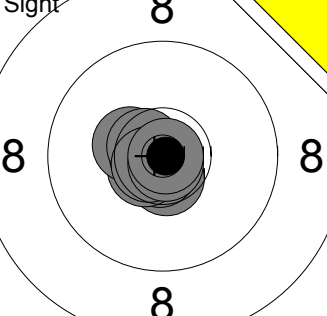
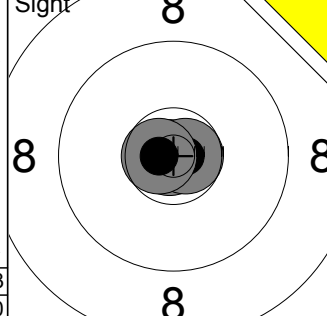
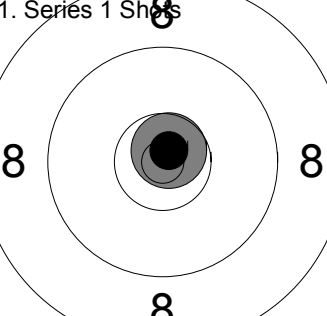
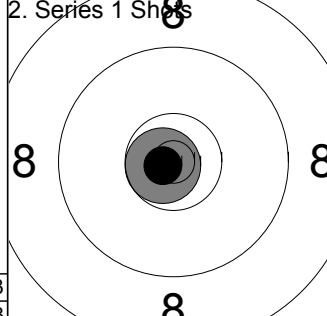
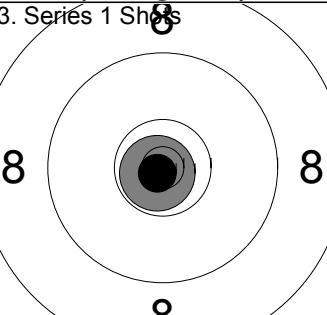
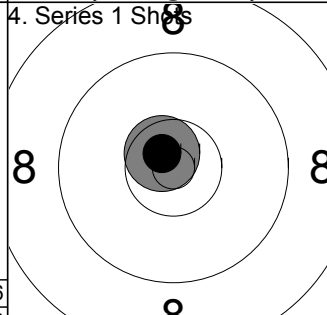
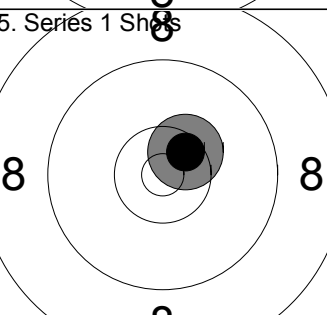
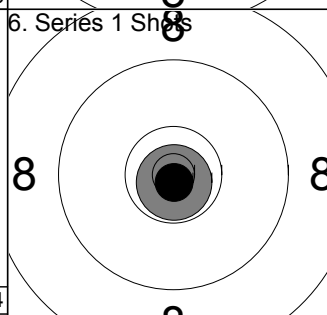
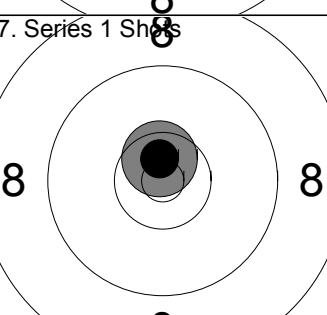
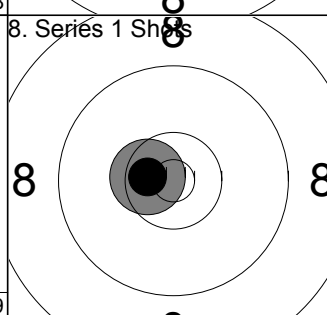
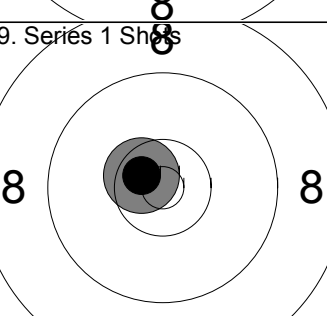
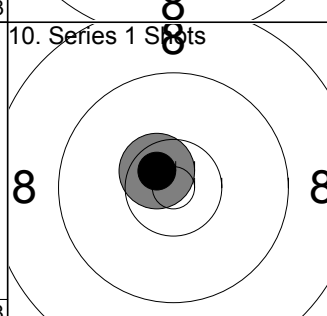
Series	9.6
	187.9

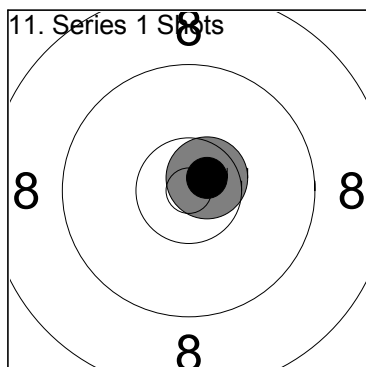


1: 9.7 ↙

Series	9.7
	197.6

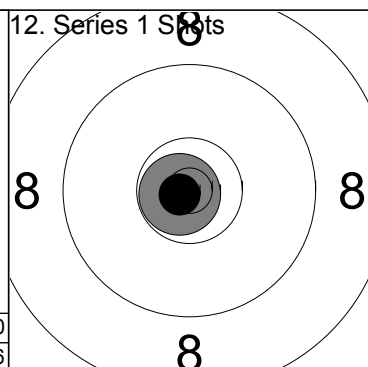
--	--

Sight 	1: 9.9 2: 10.3x 3: 10.1 4: 9.9 5: 9.3 6: 10.2x 7: 10.0 8: 10.2x 9: 10.6x 10: 10.8x Series 101.3 0.0	Sight 	11: 10.8x 12: 10.4x 13: 10.3x Series 31.5 0.0
1. Series 1 Shots 	1: 10.3x Series 10.3 10.3	2. Series 1 Shots 	1: 10.4x Series 10.4 20.7
3. Series 1 Shots 	1: 10.6x Series 10.6 31.3	4. Series 1 Shots 	1: 10.1 Series 10.1 41.4
5. Series 1 Shots 	1: 9.4 Series 9.4 50.8	6. Series 1 Shots 	1: 10.6x Series 10.6 61.4
7. Series 1 Shots 	1: 9.9 Series 9.9 71.3	8. Series 1 Shots 	1: 9.7 Series 9.7 81.0
9. Series 1 Shots 	1: 9.8 Series 9.8 90.8	10. Series 1 Shots 	1: 9.8 Series 9.8 100.6



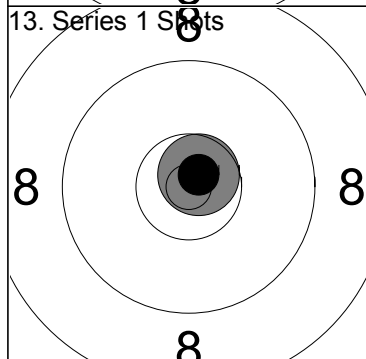
1: 10.0 ↗

Series	10.0
	110.6



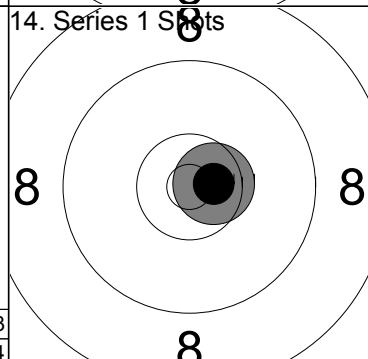
1: 10.5x ←

Series	10.5
	121.1



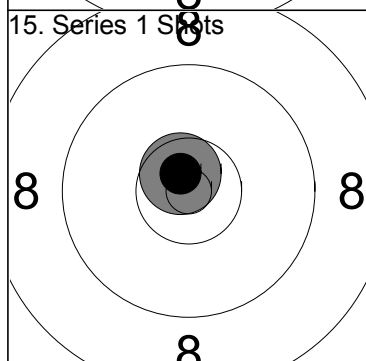
1: 10.3x ↗

Series	10.3
	131.4



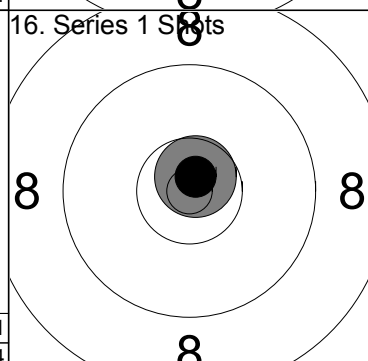
1: 9.9 →

Series	9.9
	141.3



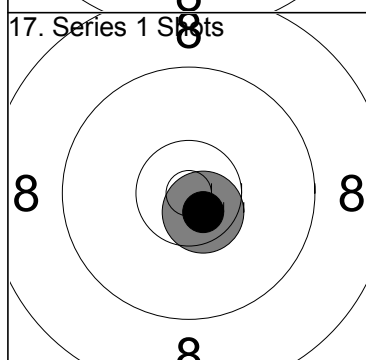
1: 10.1 ↖

Series	10.1
	151.4



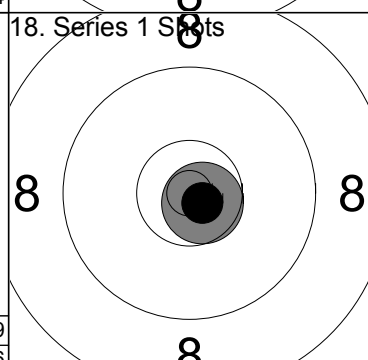
1: 10.3x ↗

Series	10.3
	161.7



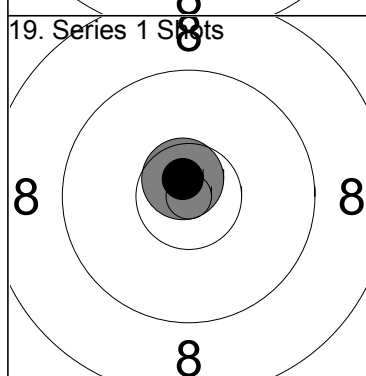
1: 9.9 ↘

Series	9.9
	171.6



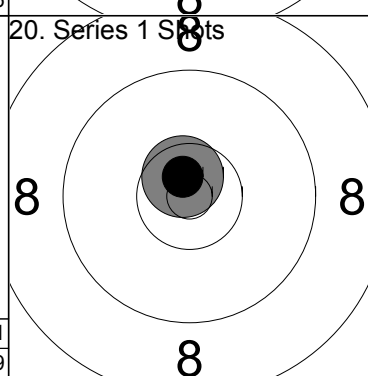
1: 10.2x ↘

Series	10.2
	181.8



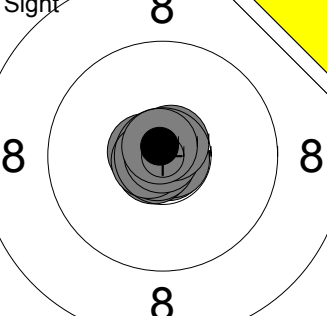
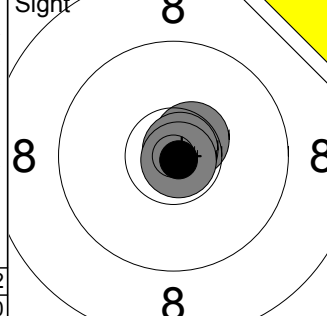
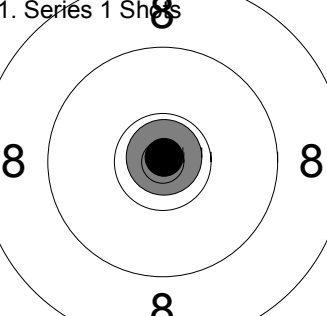
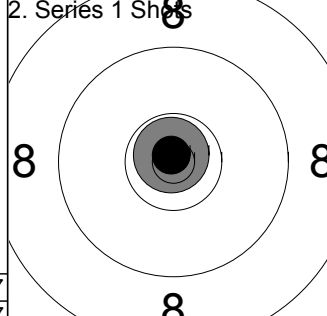
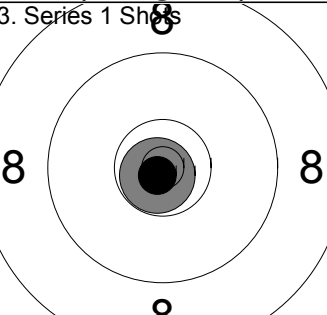
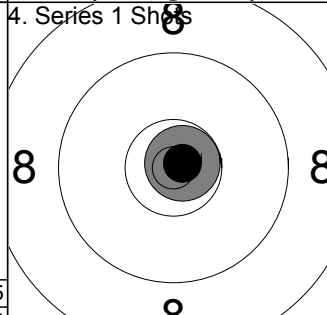
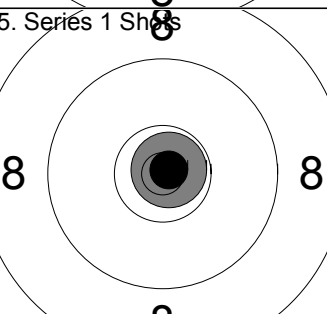
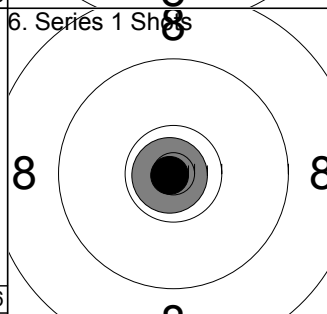
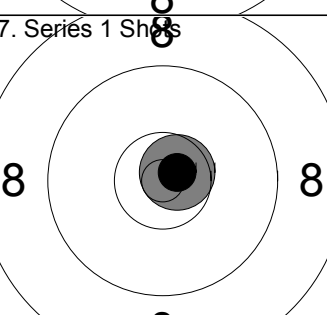
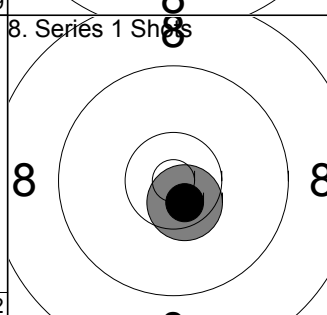
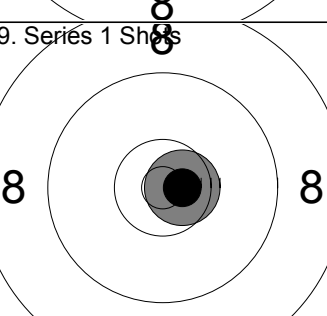
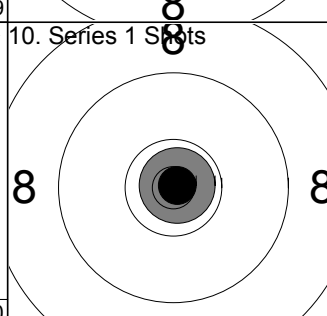
1: 10.1 ↖

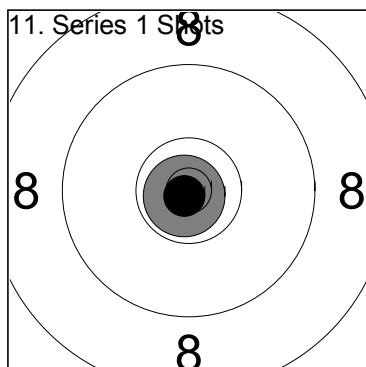
Series	10.1
	191.9



1: 10.0 ↖

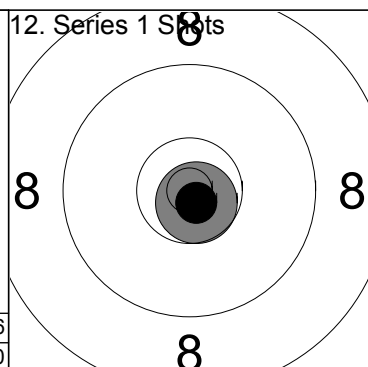
Series	10.0
	201.9

Sight 	1: 10.5x ↘ 2: 10.5x ↘ 3: 10.1 ↖ 4: 10.4x ↖ 5: 10.3x ↖ 6: 10.5x ↖ 7: 10.3x ↖ 8: 10.9x ↖ 9: 10.2x ↖ 10: 10.5x ↖ Series 104.2 0.0	Sight 	11: 9.8 ↗ 12: 10.5x ↗ 13: 10.6x ↘ Series 30.9 0.0
1. Series 1 Shots 	1: 10.7x ↗ Series 10.7 10.7	2. Series 1 Shots 	1: 10.6x ↗ Series 10.6 21.3
3. Series 1 Shots 	1: 10.5x ↘ Series 10.5 31.8	4. Series 1 Shots 	1: 10.5x ↗ Series 10.5 42.3
5. Series 1 Shots 	1: 10.6x ↗ Series 10.6 52.9	6. Series 1 Shots 	1: 10.8x ↖ Series 10.8 63.7
7. Series 1 Shots 	1: 10.2x ↗ Series 10.2 73.9	8. Series 1 Shots 	1: 9.8 ↘ Series 9.8 83.7
9. Series 1 Shots 	1: 10.0 → Series 10.0 93.7	10. Series 1 Shots 	1: 10.7x ↗ Series 10.7 104.4



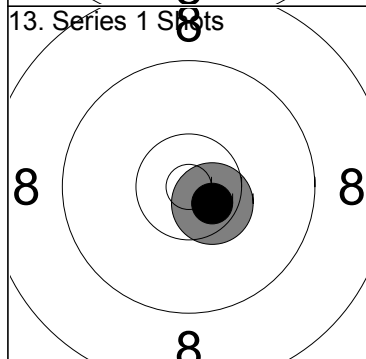
1: 10.6x ↙

Series	10.6
	115.0



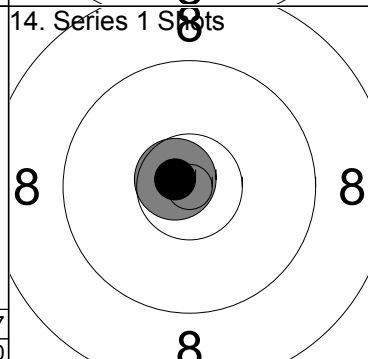
1: 10.3x ↘

Series	10.3
	125.3



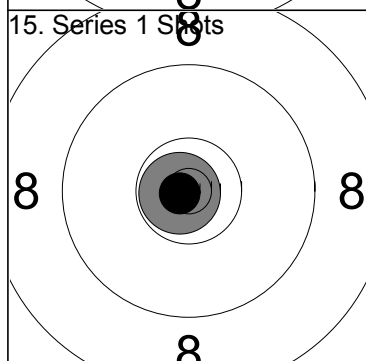
1: 9.7 ↘

Series	9.7
	135.0



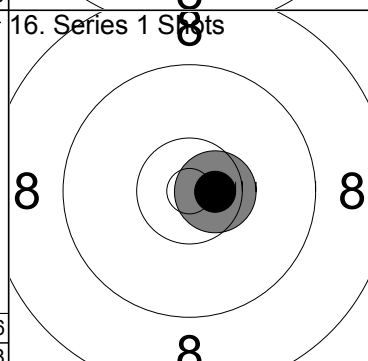
1: 10.2x ↖

Series	10.2
	145.2



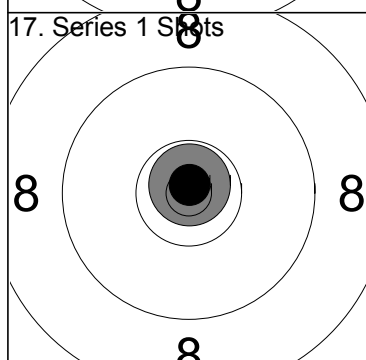
1: 10.6x ←

Series	10.6
	155.8



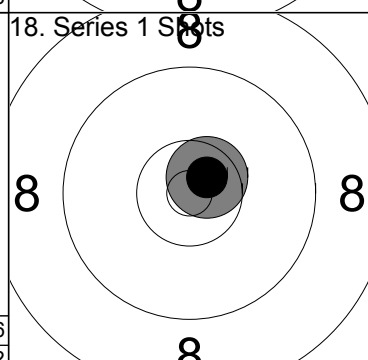
1: 9.8 →

Series	9.8
	165.6



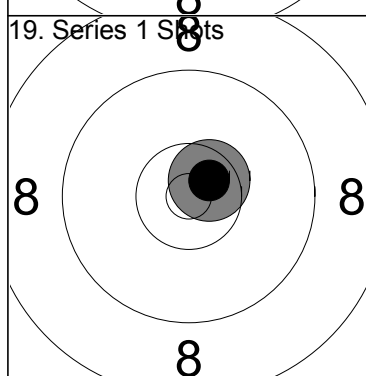
1: 10.6x ↑

Series	10.6
	176.2



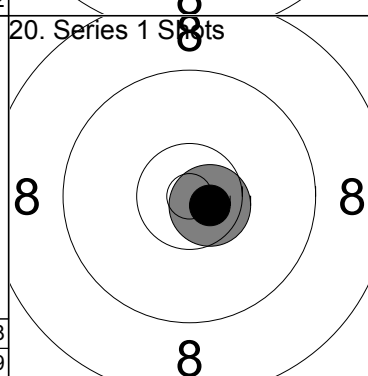
1: 9.9 ↗

Series	9.9
	186.1



1: 9.8 ↗

Series	9.8
	195.9



1: 10.0 →

Series	10.0
	205.9

--	--