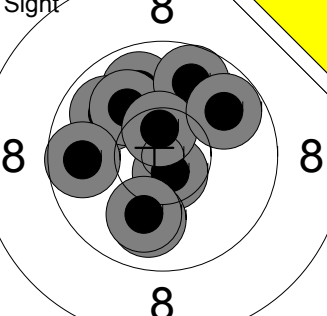
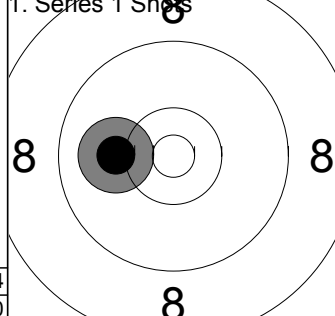
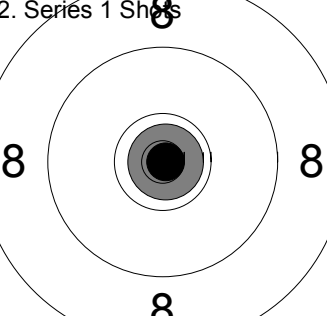
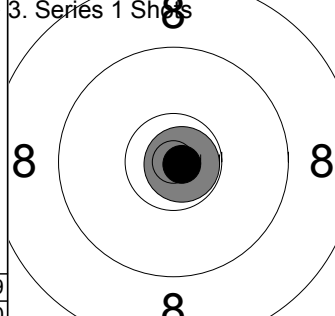
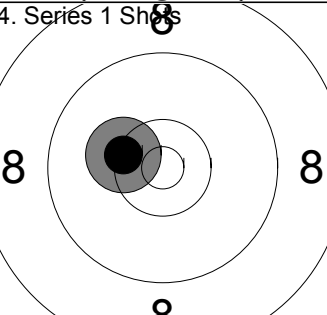
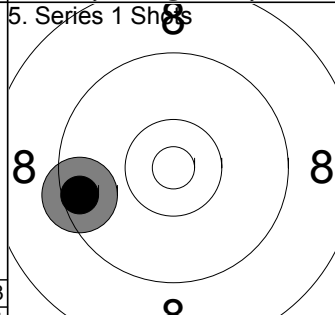
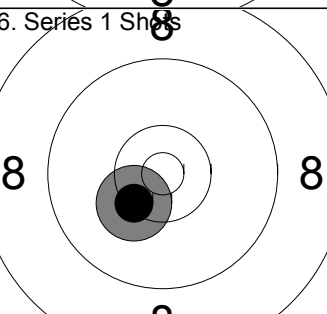
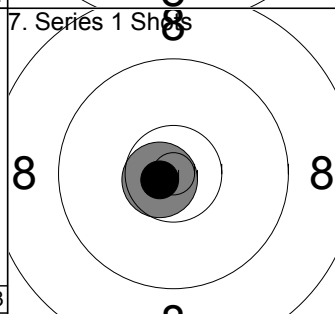
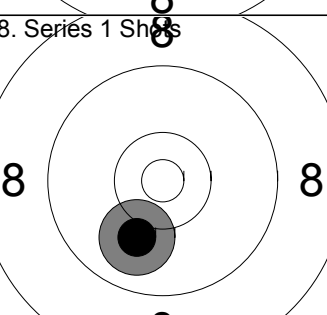
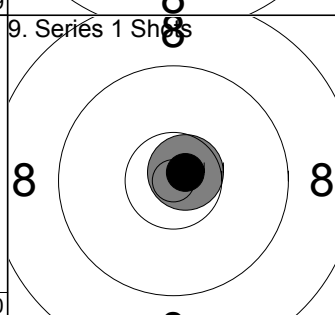
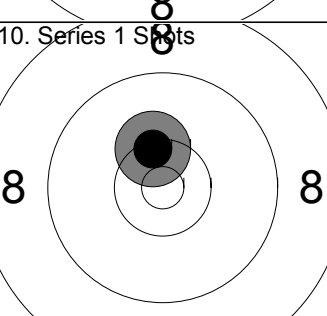
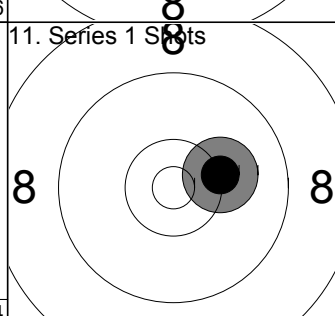
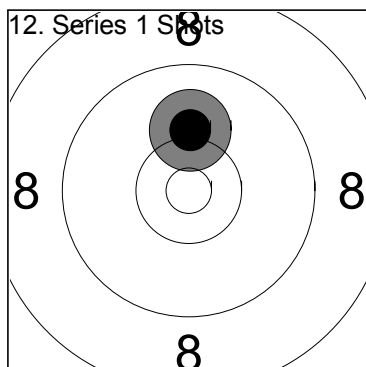
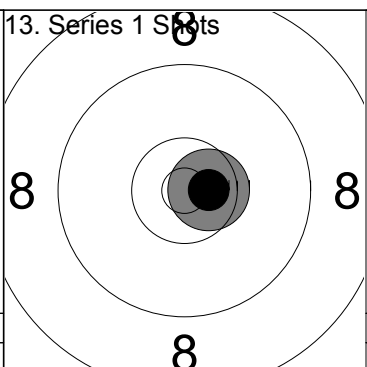


Sight 	1: 9.9 2: 9.9 3: 10.0 4: 10.7x 5: 10.0 6: 10.0 7: 9.8 8: 9.8 9: 10.5x 10: 9.8 Series 100.4 0.0	1. Series 1 Shots 	1: 10.1 Series 10.1 10.1
2. Series 1 Shots 	1: 10.9x Series 10.9 21.0	3. Series 1 Shots 	1: 10.8x Series 10.8 31.8
4. Series 1 Shots 	1: 10.3 Series 10.3 42.1	5. Series 1 Shots 	1: 9.5 Series 9.5 51.6
6. Series 1 Shots 	1: 10.3 Series 10.3 61.9	7. Series 1 Shots 	1: 10.7x Series 10.7 72.6
8. Series 1 Shots 	1: 10.0 Series 10.0 82.6	9. Series 1 Shots 	1: 10.7x Series 10.7 93.3
10. Series 1 Shots 	1: 10.4 Series 10.4 103.7	11. Series 1 Shots 	1: 10.2 Series 10.2 113.9



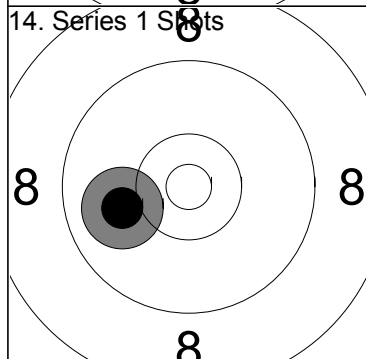
1: 10.1 ↑

Series	10.1
	124.0



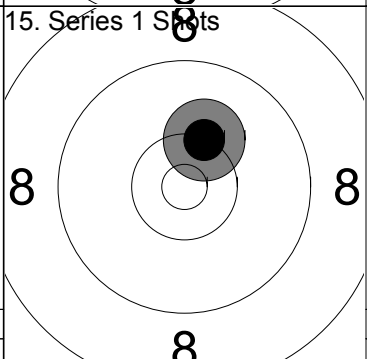
1: 10.6x →

Series	10.6
	134.6



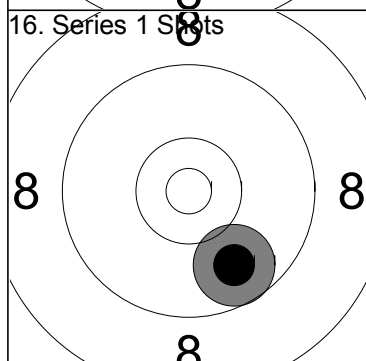
1: 10.0 ←

Series	10.0
	144.6



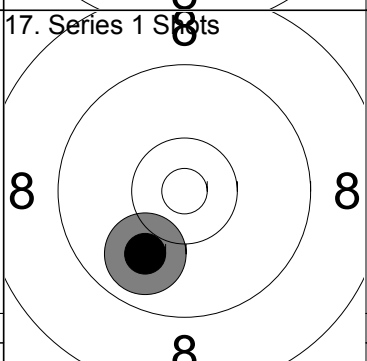
1: 10.3 ↑

Series	10.3
	154.9



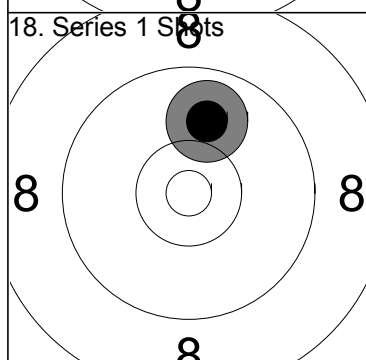
1: 9.8 ↘

Series	9.8
	164.7



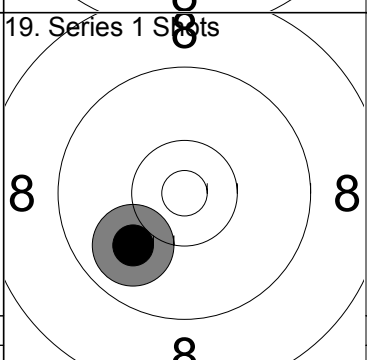
1: 9.9 ↙

Series	9.9
	174.6



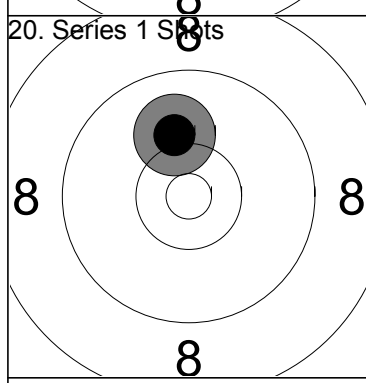
1: 9.9 ↑

Series	9.9
	184.5



1: 10.0 ↙

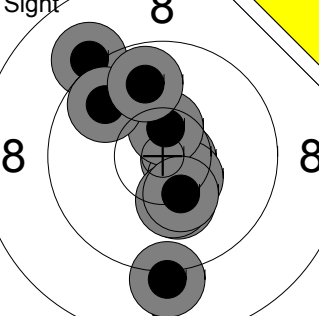
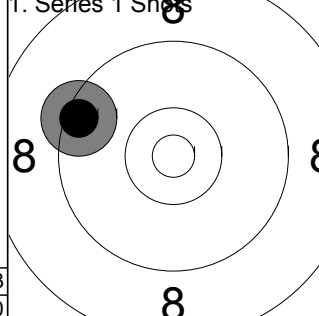
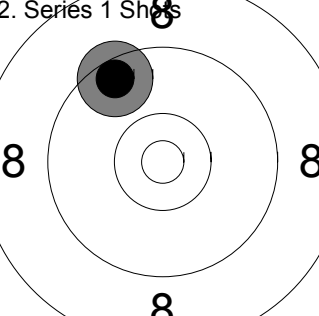
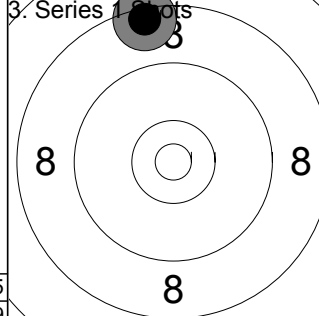
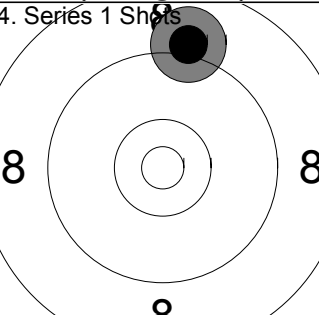
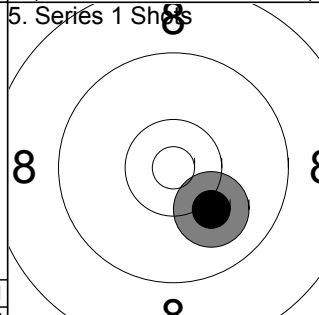
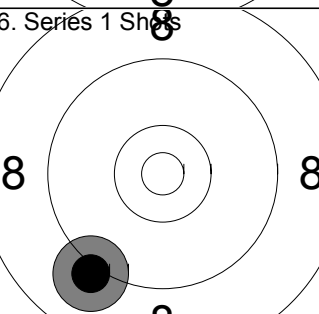
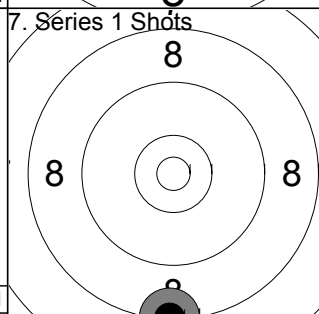
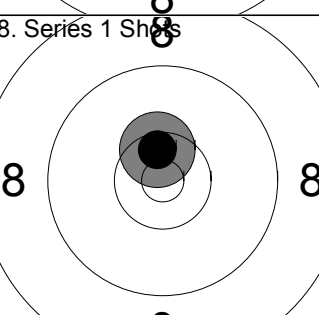
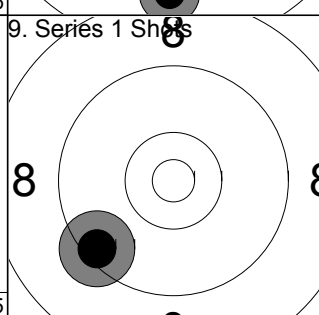
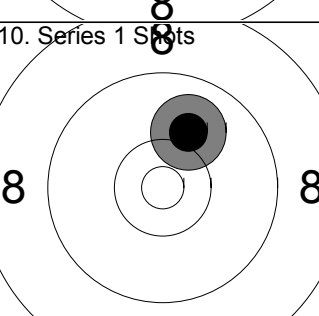
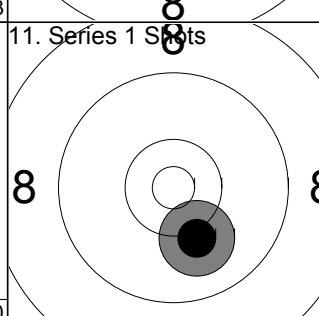
Series	10.0
	194.5

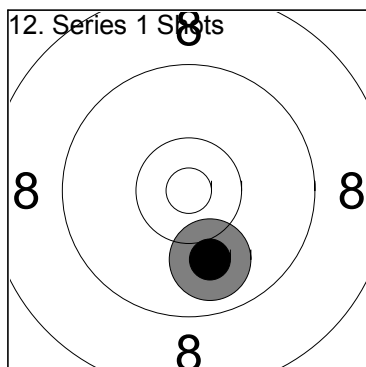


1: 10.1 ↑

Series	10.1
	204.6

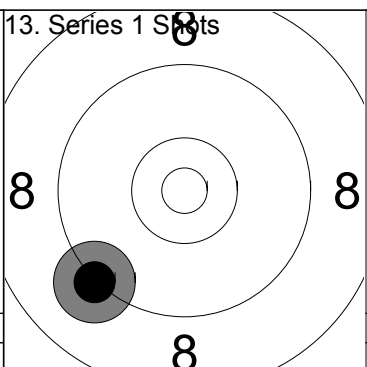
--	--

 <p>Sight</p>	<table border="1" style="width:100%; border-collapse: collapse;"> <tr><td>1:</td><td>10.7x</td><td>→</td></tr> <tr><td>2:</td><td>10.5x</td><td>↘</td></tr> <tr><td>3:</td><td>10.5x</td><td>↗</td></tr> <tr><td>4:</td><td>10.2</td><td>↘</td></tr> <tr><td>5:</td><td>9.1</td><td>↗</td></tr> <tr><td>6:</td><td>9.8</td><td>↘</td></tr> <tr><td>7:</td><td>10.3</td><td>↗</td></tr> <tr><td>8:</td><td>9.1</td><td>↘</td></tr> <tr><td>9:</td><td>10.3</td><td>↗</td></tr> <tr><td>10:</td><td>9.8</td><td>↘</td></tr> </table>	1:	10.7x	→	2:	10.5x	↘	3:	10.5x	↗	4:	10.2	↘	5:	9.1	↗	6:	9.8	↘	7:	10.3	↗	8:	9.1	↘	9:	10.3	↗	10:	9.8	↘	 <p>1. Series 1 Shot</p>	<table border="1" style="width:100%; border-collapse: collapse;"> <tr><td>1:</td><td>9.4</td><td>←</td></tr> </table>	1:	9.4	←
1:	10.7x	→																																		
2:	10.5x	↘																																		
3:	10.5x	↗																																		
4:	10.2	↘																																		
5:	9.1	↗																																		
6:	9.8	↘																																		
7:	10.3	↗																																		
8:	9.1	↘																																		
9:	10.3	↗																																		
10:	9.8	↘																																		
1:	9.4	←																																		
<table border="1" style="width:100%; border-collapse: collapse;"> <tr><td>Series</td><td>100.3</td><td></td></tr> <tr><td></td><td>0.0</td><td></td></tr> </table>		Series	100.3			0.0		<table border="1" style="width:100%; border-collapse: collapse;"> <tr><td>Series</td><td>9.4</td><td></td></tr> <tr><td></td><td>9.4</td><td></td></tr> </table>		Series	9.4			9.4																						
Series	100.3																																			
	0.0																																			
Series	9.4																																			
	9.4																																			
 <p>2. Series 1 Shot</p>	<table border="1" style="width:100%; border-collapse: collapse;"> <tr><td>1:</td><td>9.5</td><td>↗</td></tr> </table>	1:	9.5	↗	 <p>3. Series 1 Shot</p>	<table border="1" style="width:100%; border-collapse: collapse;"> <tr><td>1:</td><td>8.4</td><td>↑</td></tr> </table>	1:	8.4	↑																											
1:	9.5	↗																																		
1:	8.4	↑																																		
<table border="1" style="width:100%; border-collapse: collapse;"> <tr><td>Series</td><td>9.5</td><td></td></tr> <tr><td></td><td>18.9</td><td></td></tr> </table>		Series	9.5			18.9		<table border="1" style="width:100%; border-collapse: collapse;"> <tr><td>Series</td><td>8.4</td><td></td></tr> <tr><td></td><td>27.3</td><td></td></tr> </table>		Series	8.4			27.3																						
Series	9.5																																			
	18.9																																			
Series	8.4																																			
	27.3																																			
 <p>4. Series 1 Shot</p>	<table border="1" style="width:100%; border-collapse: collapse;"> <tr><td>1:</td><td>9.1</td><td>↑</td></tr> </table>	1:	9.1	↑	 <p>5. Series 1 Shot</p>	<table border="1" style="width:100%; border-collapse: collapse;"> <tr><td>1:</td><td>10.1</td><td>↘</td></tr> </table>	1:	10.1	↘																											
1:	9.1	↑																																		
1:	10.1	↘																																		
<table border="1" style="width:100%; border-collapse: collapse;"> <tr><td>Series</td><td>9.1</td><td></td></tr> <tr><td></td><td>36.4</td><td></td></tr> </table>		Series	9.1			36.4		<table border="1" style="width:100%; border-collapse: collapse;"> <tr><td>Series</td><td>10.1</td><td></td></tr> <tr><td></td><td>46.5</td><td></td></tr> </table>		Series	10.1			46.5																						
Series	9.1																																			
	36.4																																			
Series	10.1																																			
	46.5																																			
 <p>6. Series 1 Shot</p>	<table border="1" style="width:100%; border-collapse: collapse;"> <tr><td>1:</td><td>9.1</td><td>↘</td></tr> </table>	1:	9.1	↘	 <p>7. Series 1 Shot</p>	<table border="1" style="width:100%; border-collapse: collapse;"> <tr><td>1:</td><td>8.2</td><td>↓</td></tr> </table>	1:	8.2	↓																											
1:	9.1	↘																																		
1:	8.2	↓																																		
<table border="1" style="width:100%; border-collapse: collapse;"> <tr><td>Series</td><td>9.1</td><td></td></tr> <tr><td></td><td>55.6</td><td></td></tr> </table>		Series	9.1			55.6		<table border="1" style="width:100%; border-collapse: collapse;"> <tr><td>Series</td><td>8.2</td><td></td></tr> <tr><td></td><td>63.8</td><td></td></tr> </table>		Series	8.2			63.8																						
Series	9.1																																			
	55.6																																			
Series	8.2																																			
	63.8																																			
 <p>8. Series 1 Shot</p>	<table border="1" style="width:100%; border-collapse: collapse;"> <tr><td>1:</td><td>10.5x</td><td>↑</td></tr> </table>	1:	10.5x	↑	 <p>9. Series 1 Shot</p>	<table border="1" style="width:100%; border-collapse: collapse;"> <tr><td>1:</td><td>9.4</td><td>↖</td></tr> </table>	1:	9.4	↖																											
1:	10.5x	↑																																		
1:	9.4	↖																																		
<table border="1" style="width:100%; border-collapse: collapse;"> <tr><td>Series</td><td>10.5</td><td></td></tr> <tr><td></td><td>74.3</td><td></td></tr> </table>		Series	10.5			74.3		<table border="1" style="width:100%; border-collapse: collapse;"> <tr><td>Series</td><td>9.4</td><td></td></tr> <tr><td></td><td>83.7</td><td></td></tr> </table>		Series	9.4			83.7																						
Series	10.5																																			
	74.3																																			
Series	9.4																																			
	83.7																																			
 <p>10. Series 1 Shot</p>	<table border="1" style="width:100%; border-collapse: collapse;"> <tr><td>1:</td><td>10.0</td><td>↗</td></tr> </table>	1:	10.0	↗	 <p>11. Series 1 Shot</p>	<table border="1" style="width:100%; border-collapse: collapse;"> <tr><td>1:</td><td>10.1</td><td>↓</td></tr> </table>	1:	10.1	↓																											
1:	10.0	↗																																		
1:	10.1	↓																																		
<table border="1" style="width:100%; border-collapse: collapse;"> <tr><td>Series</td><td>10.0</td><td></td></tr> <tr><td></td><td>93.7</td><td></td></tr> </table>		Series	10.0			93.7		<table border="1" style="width:100%; border-collapse: collapse;"> <tr><td>Series</td><td>10.1</td><td></td></tr> <tr><td></td><td>103.8</td><td></td></tr> </table>		Series	10.1			103.8																						
Series	10.0																																			
	93.7																																			
Series	10.1																																			
	103.8																																			



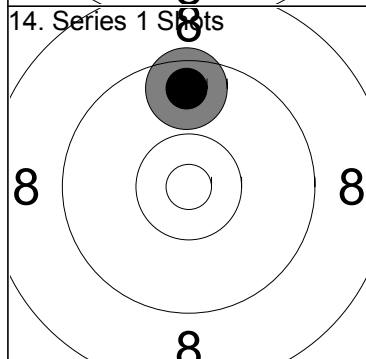
1: 10.0 ↓

Series	10.0
	113.8



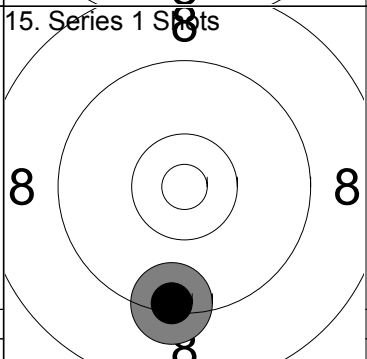
1: 9.2 ↙

Series	9.2
	123.0



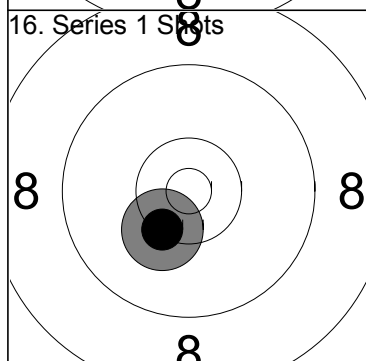
1: 9.6 ↑

Series	9.6
	132.6



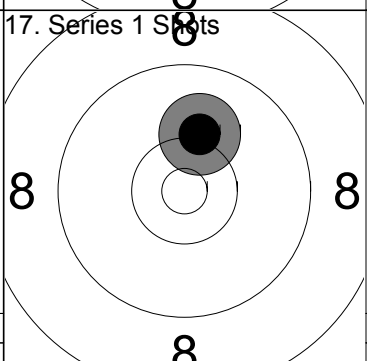
1: 9.4 ↓

Series	9.4
	142.0



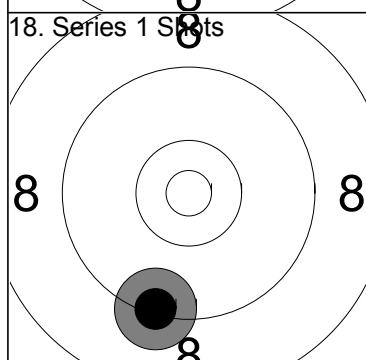
1: 10.3 ↘

Series	10.3
	152.3



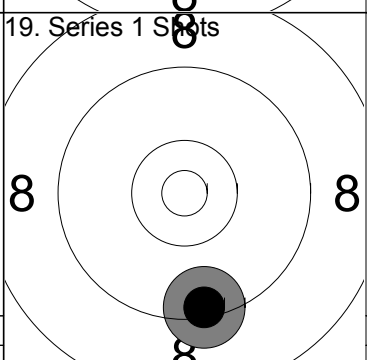
1: 10.2 ↑

Series	10.2
	162.5



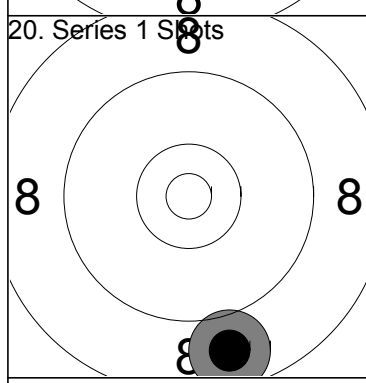
1: 9.3 ↓

Series	9.3
	171.8



1: 9.4 ↓

Series	9.4
	181.2



1: 8.8 ↓

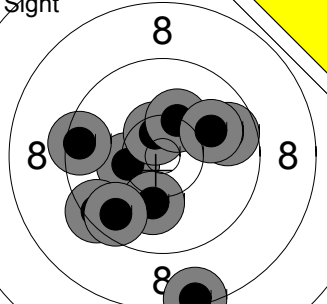
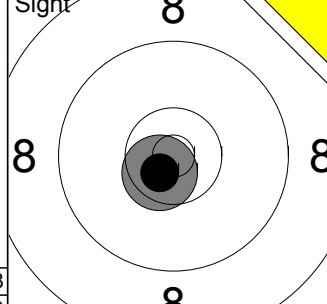
Series	8.8
	190.0

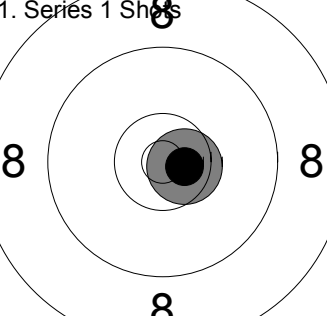
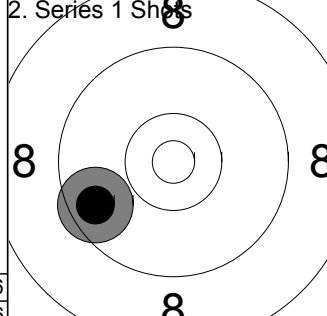
--	--

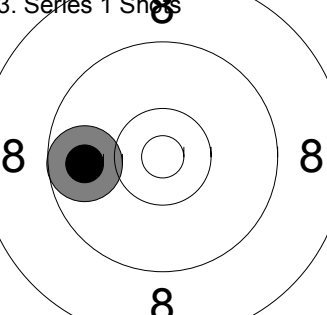
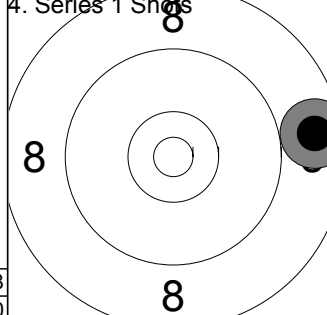
Relay 3	Lane 22	Bohdan Kyrylenko					
--------------------------	--------------------------	-------------------------	--	--	--	--	--

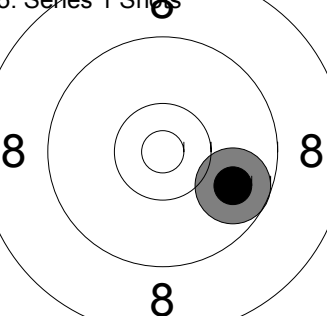
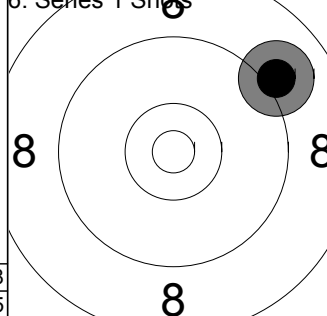
Luft	UKR	Pistol
-------------	------------	---------------

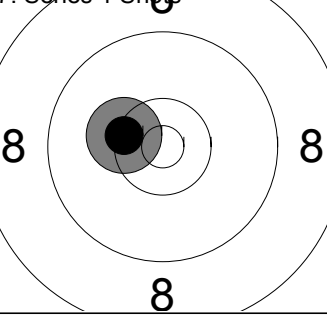
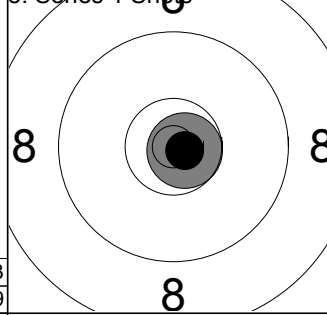
03.10.2015	EYL Final	Söraby SKF
-------------------	------------------	-------------------

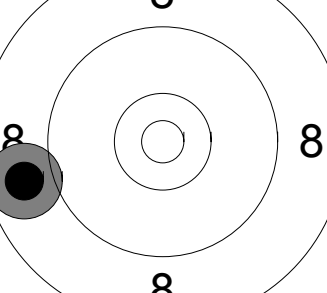
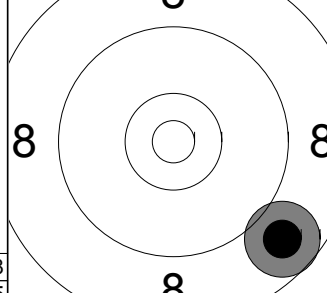
Sight 	1: 10.3 2: 10.5x 3: 9.5 4: 10.1 5: 9.4 6: 10.3 7: 9.7 8: 9.6 9: 8.4 10: 10.0	Sight 	11: 10.6x
Series 97.8		Series 10.6	
0.0		0.0	

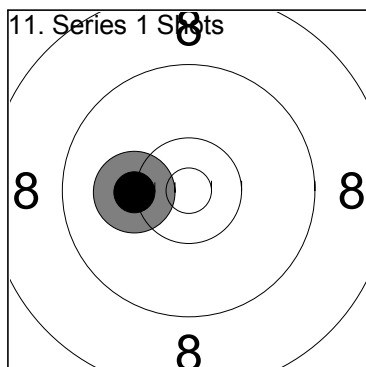
1. Series 1 Shots 	1: 10.6x	2. Series 1 Shots 	1: 9.6
Series 10.6		Series 9.6	
10.6		20.2	

3. Series 1 Shots 	1: 9.8	4. Series 1 Shots 	1: 8.7
Series 9.8		Series 8.7	
30.0		38.7	

5. Series 1 Shots 	1: 9.8	6. Series 1 Shots 	1: 9.1
Series 9.8		Series 9.1	
48.5		57.6	

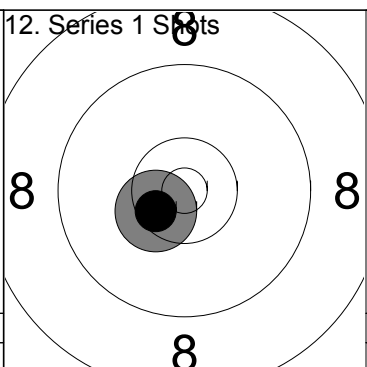
7. Series 1 Shots 	1: 10.3	8. Series 1 Shots 	1: 10.8x
Series 10.3		Series 10.8	
67.9		78.7	

9. Series 1 Shots 	1: 8.8	10. Series 1 Shots 	1: 8.8
Series 8.8		Series 8.8	
87.5		96.3	



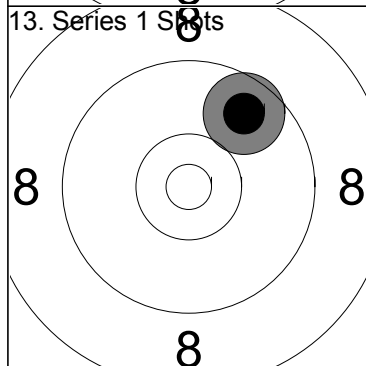
1: 10.2 ←

Series	10.2
	106.5



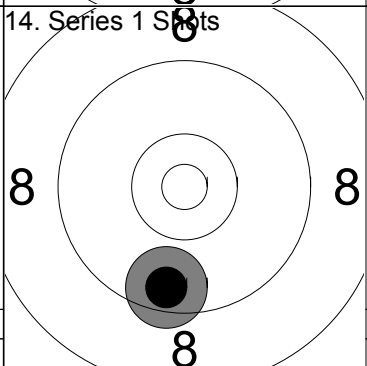
1: 10.5x ↖

Series	10.5
	117.0



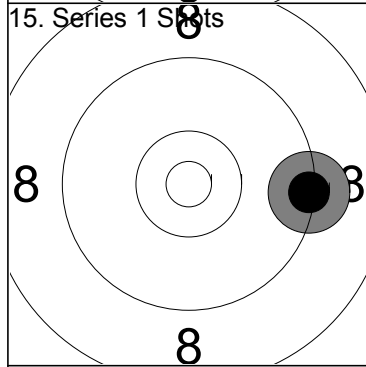
1: 9.7 ↗

Series	9.7
	126.7



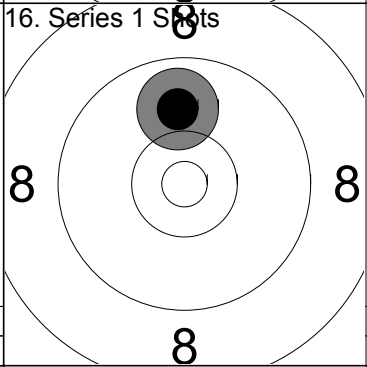
1: 9.6 ↓

Series	9.6
	136.3



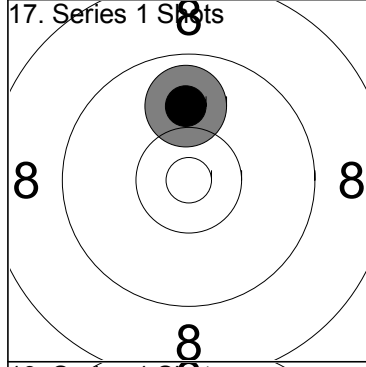
1: 9.3 →

Series	9.3
	145.6



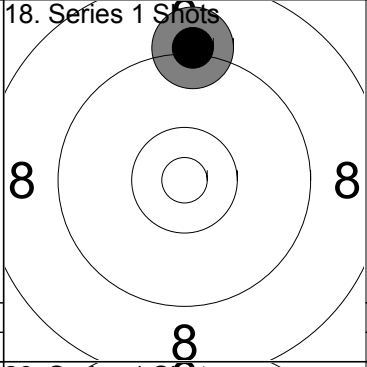
1: 9.9 ↑

Series	9.9
	155.5



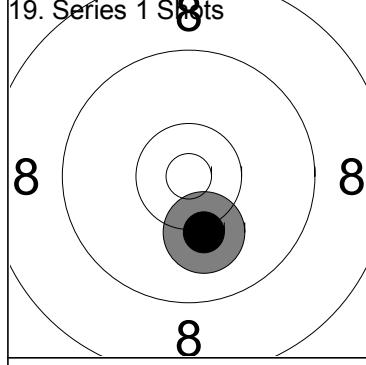
1: 9.9 ↑

Series	9.9
	165.4



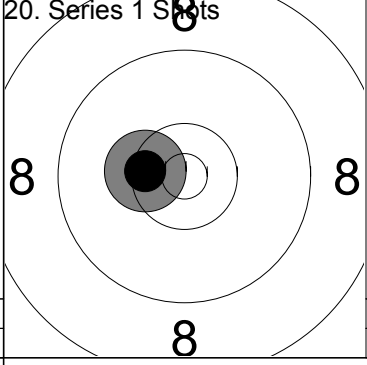
1: 9.1 ↑

Series	9.1
	174.5



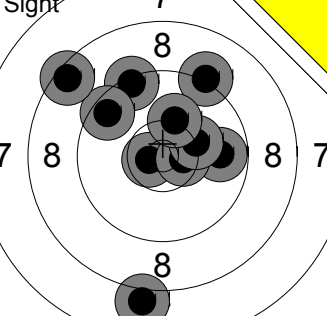
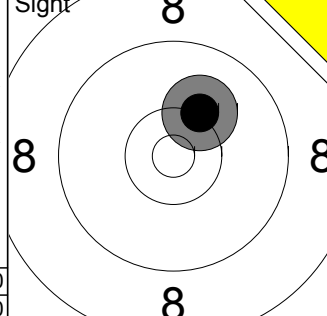
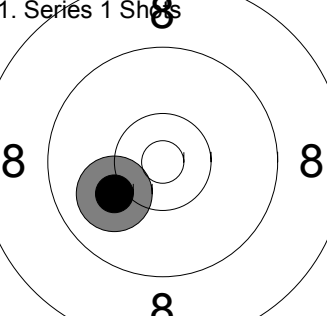
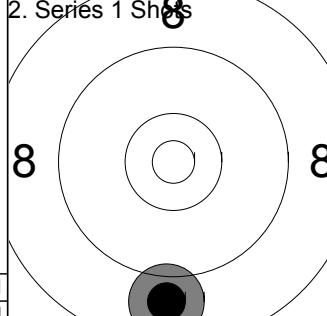
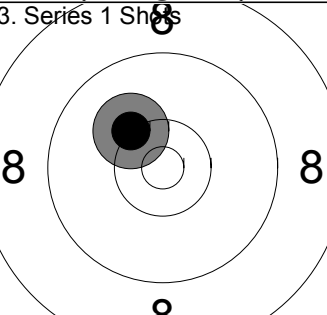
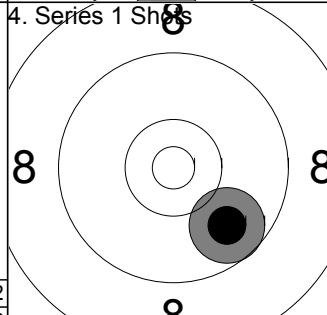
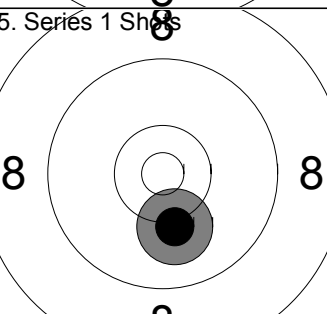
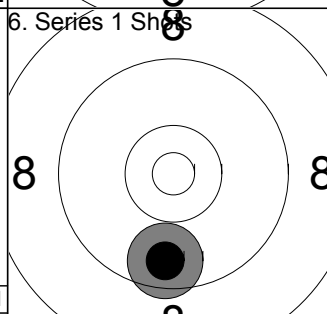
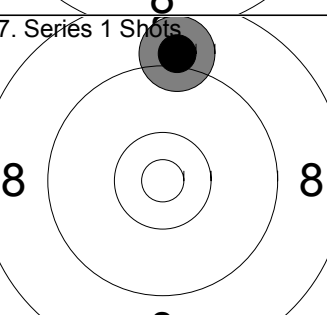
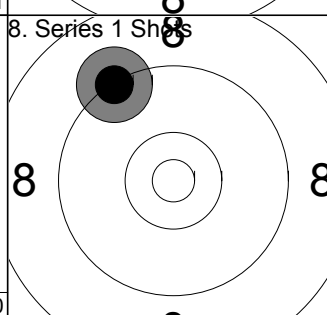
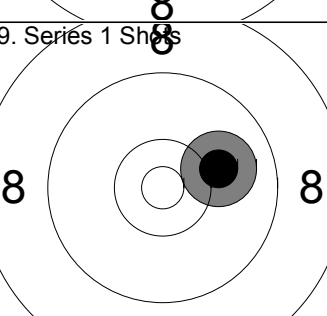
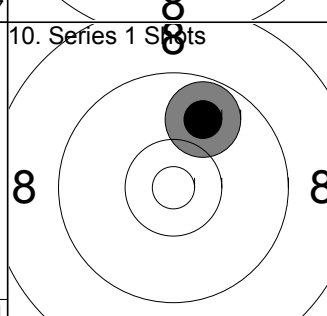
1: 10.2 ↓

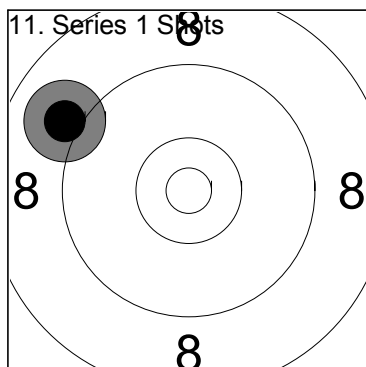
Series	10.2
	184.7



1: 10.4x ←

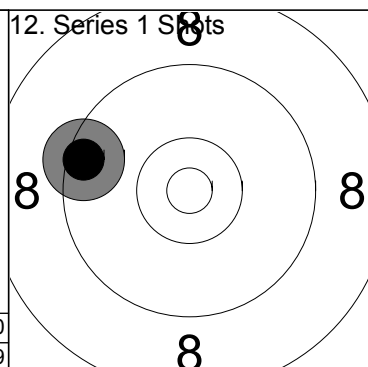
Series	10.4
	195.1

<p>Sight</p>  <p style="text-align: right;">7</p>	<table style="width:100%; border-collapse: collapse;"> <tr><td>1:</td><td>9.2</td><td>↗</td></tr> <tr><td>2:</td><td>9.4</td><td>↘</td></tr> <tr><td>3:</td><td>8.0</td><td>↔</td></tr> <tr><td>4:</td><td>9.8</td><td>↔</td></tr> <tr><td>5:</td><td>10.7x</td><td>↔</td></tr> <tr><td>6:</td><td>10.5x</td><td>↔</td></tr> <tr><td>7:</td><td>10.2</td><td>↘</td></tr> <tr><td>8:</td><td>9.5</td><td>↗</td></tr> <tr><td>9:</td><td>8.5</td><td>↗</td></tr> <tr><td>10:</td><td>10.2</td><td>↗</td></tr> </table> <p>Series 96.0 0.0</p>	1:	9.2	↗	2:	9.4	↘	3:	8.0	↔	4:	9.8	↔	5:	10.7x	↔	6:	10.5x	↔	7:	10.2	↘	8:	9.5	↗	9:	8.5	↗	10:	10.2	↗	<p>Sight</p>  <p style="text-align: right;">8</p>	<table style="width:100%; border-collapse: collapse;"> <tr><td>11:</td><td>10.2</td><td>↗</td></tr> </table> <p>Series 10.2 0.0</p>	11:	10.2	↗
1:	9.2	↗																																		
2:	9.4	↘																																		
3:	8.0	↔																																		
4:	9.8	↔																																		
5:	10.7x	↔																																		
6:	10.5x	↔																																		
7:	10.2	↘																																		
8:	9.5	↗																																		
9:	8.5	↗																																		
10:	10.2	↗																																		
11:	10.2	↗																																		
<p>1. Series 1 Shots</p>  <p style="text-align: right;">8</p>	<table style="width:100%; border-collapse: collapse;"> <tr><td>1:</td><td>10.1</td><td>↖</td></tr> </table> <p>Series 10.1 10.1</p>	1:	10.1	↖	<p>2. Series 1 Shots</p>  <p style="text-align: right;">8</p>	<table style="width:100%; border-collapse: collapse;"> <tr><td>1:</td><td>8.9</td><td>↘</td></tr> </table> <p>Series 8.9 19.0</p>	1:	8.9	↘																											
1:	10.1	↖																																		
1:	8.9	↘																																		
<p>3. Series 1 Shots</p>  <p style="text-align: right;">8</p>	<table style="width:100%; border-collapse: collapse;"> <tr><td>1:</td><td>10.2</td><td>↖</td></tr> </table> <p>Series 10.2 29.2</p>	1:	10.2	↖	<p>4. Series 1 Shots</p>  <p style="text-align: right;">8</p>	<table style="width:100%; border-collapse: collapse;"> <tr><td>1:</td><td>9.8</td><td>↘</td></tr> </table> <p>Series 9.8 39.0</p>	1:	9.8	↘																											
1:	10.2	↖																																		
1:	9.8	↘																																		
<p>5. Series 1 Shots</p>  <p style="text-align: right;">8</p>	<table style="width:100%; border-collapse: collapse;"> <tr><td>1:</td><td>10.1</td><td>↘</td></tr> </table> <p>Series 10.1 49.1</p>	1:	10.1	↘	<p>6. Series 1 Shots</p>  <p style="text-align: right;">8</p>	<table style="width:100%; border-collapse: collapse;"> <tr><td>1:</td><td>9.6</td><td>↘</td></tr> </table> <p>Series 9.6 58.7</p>	1:	9.6	↘																											
1:	10.1	↘																																		
1:	9.6	↘																																		
<p>7. Series 1 Shots</p>  <p style="text-align: right;">8</p>	<table style="width:100%; border-collapse: collapse;"> <tr><td>1:</td><td>9.0</td><td>↗</td></tr> </table> <p>Series 9.0 67.7</p>	1:	9.0	↗	<p>8. Series 1 Shots</p>  <p style="text-align: right;">8</p>	<table style="width:100%; border-collapse: collapse;"> <tr><td>1:</td><td>9.3</td><td>↖</td></tr> </table> <p>Series 9.3 77.0</p>	1:	9.3	↖																											
1:	9.0	↗																																		
1:	9.3	↖																																		
<p>9. Series 1 Shots</p>  <p style="text-align: right;">8</p>	<table style="width:100%; border-collapse: collapse;"> <tr><td>1:</td><td>10.1</td><td>↗</td></tr> </table> <p>Series 10.1 87.1</p>	1:	10.1	↗	<p>10. Series 1 Shots</p>  <p style="text-align: right;">8</p>	<table style="width:100%; border-collapse: collapse;"> <tr><td>1:</td><td>9.8</td><td>↗</td></tr> </table> <p>Series 9.8 96.9</p>	1:	9.8	↗																											
1:	10.1	↗																																		
1:	9.8	↗																																		



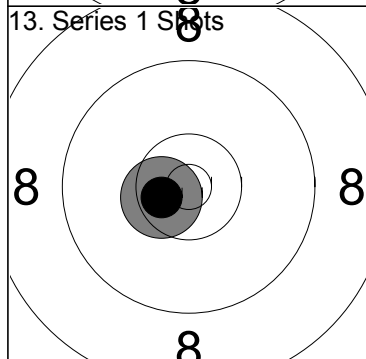
1: 9.0 ↖

Series	9.0
	105.9



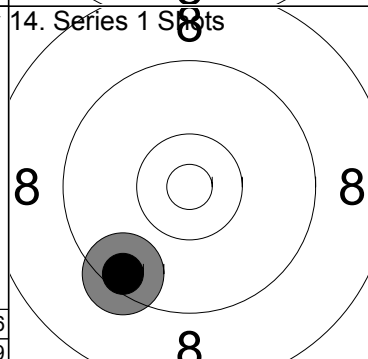
1: 9.4 ↖

Series	9.4
	115.3



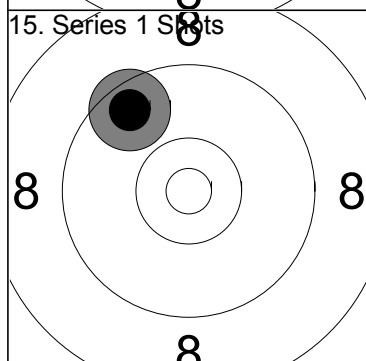
1: 10.6x ↙

Series	10.6
	125.9



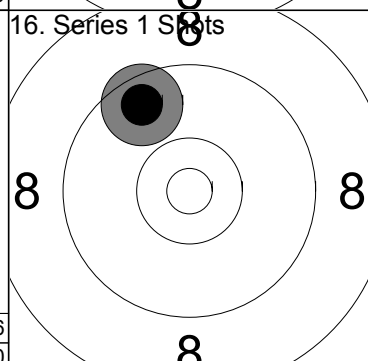
1: 9.5 ↗

Series	9.5
	135.4



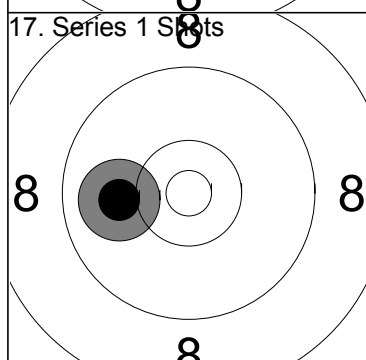
1: 9.6 ↖

Series	9.6
	145.0



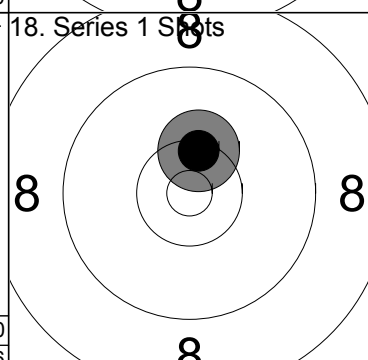
1: 9.6 ↖

Series	9.6
	154.6



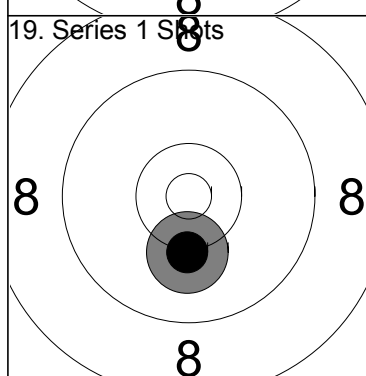
1: 10.0 ←

Series	10.0
	164.6



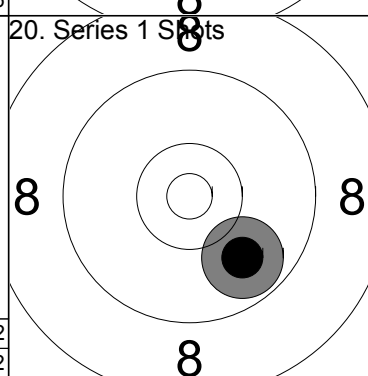
1: 10.4x ↑

Series	10.4
	175.0



1: 10.2 ↓

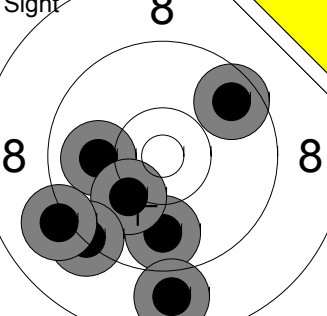
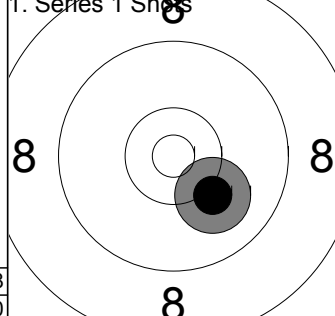
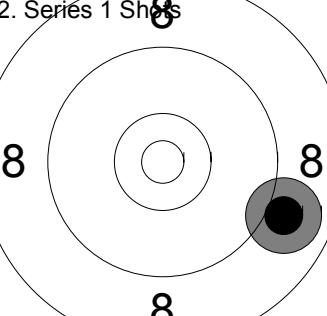
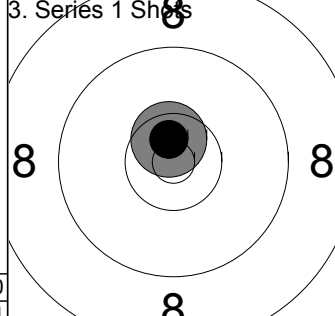
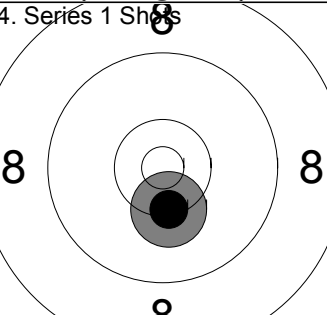
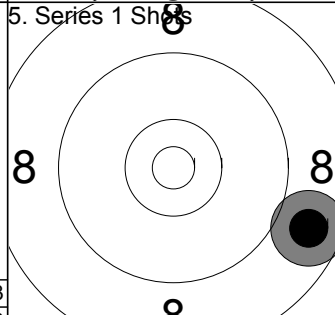
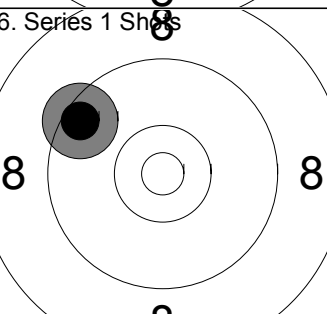
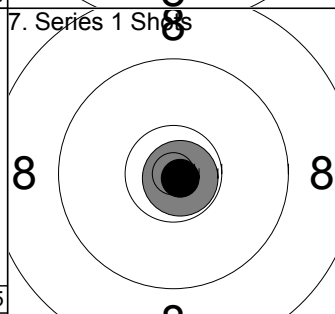
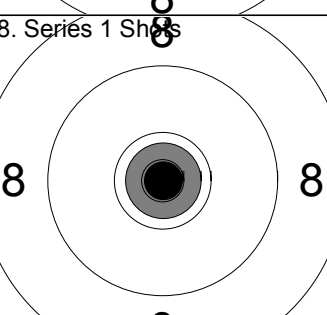
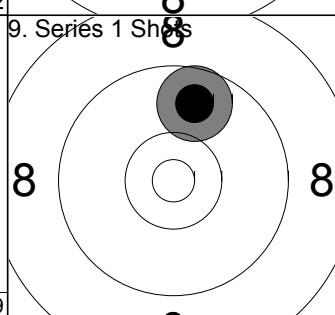
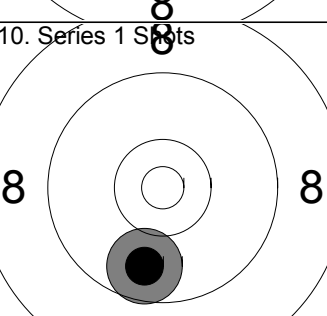
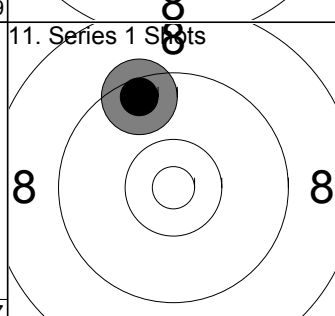
Series	10.2
	185.2

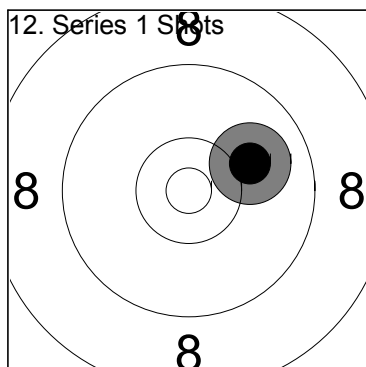


1: 9.8 ↘

Series	9.8
	195.0

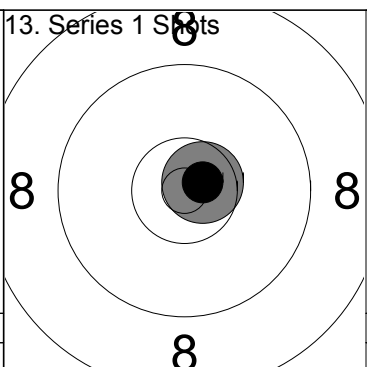
--	--

Sight 	1: 9.8 2: 10.0 3: 10.2 4: 8.8 5: 9.3 6: 9.6 7: 9.1 ↓ ← ↙ ↓ ↓ ↘ ↖	1. Series 1 Shots 	1: 10.1 ↓
	Series 66.8 0.0		Series 10.1 10.1
2. Series 1 Shots 	1: 9.0 →	3. Series 1 Shots 	1: 10.6x ↑
	Series 9.0 19.1		Series 10.6 29.7
4. Series 1 Shots 	1: 10.3 ↓	5. Series 1 Shots 	1: 8.7 →
	Series 10.3 40.0		Series 8.7 48.7
6. Series 1 Shots 	1: 9.5 ↖	7. Series 1 Shots 	1: 10.8x →
	Series 9.5 58.2		Series 10.8 69.0
8. Series 1 Shots 	1: 10.9x →	9. Series 1 Shots 	1: 9.8 ↑
	Series 10.9 79.9		Series 9.8 89.7
10. Series 1 Shots 	1: 9.7 ↓	11. Series 1 Shots 	1: 9.5 ↑
	Series 9.7 99.4		Series 9.5 108.9



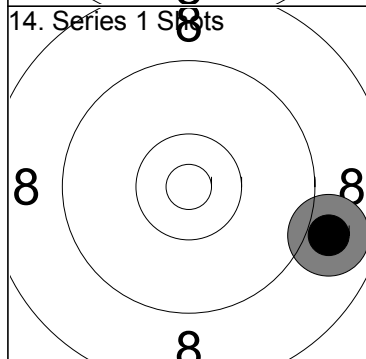
1: 10.0 →

Series	10.0
	118.9



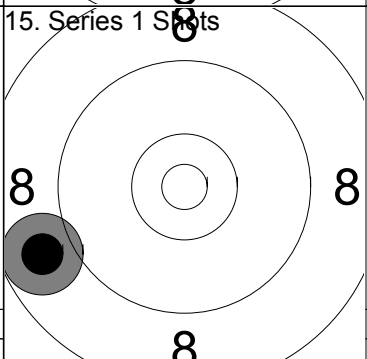
1: 10.7x →

Series	10.7
	129.6



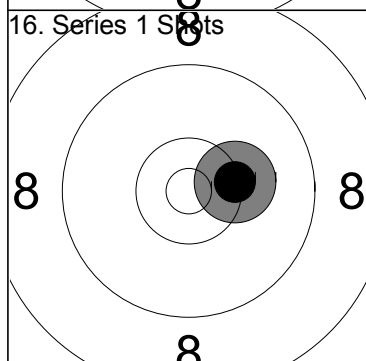
1: 8.9 →

Series	8.9
	138.5



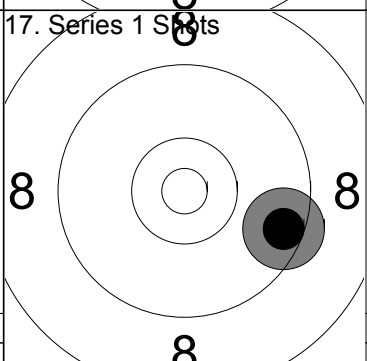
1: 8.8 ←

Series	8.8
	147.3



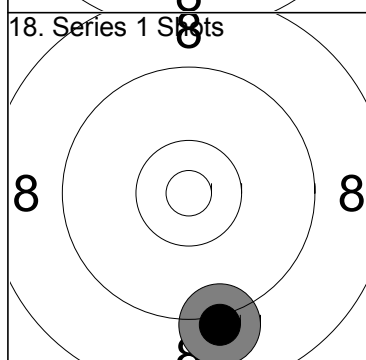
1: 10.3 →

Series	10.3
	157.6



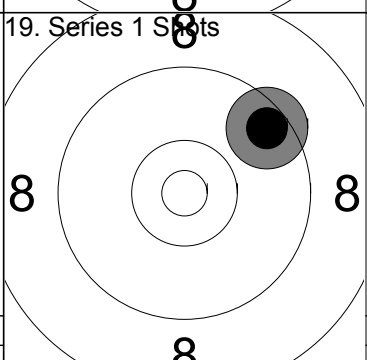
1: 9.5 →

Series	9.5
	167.1



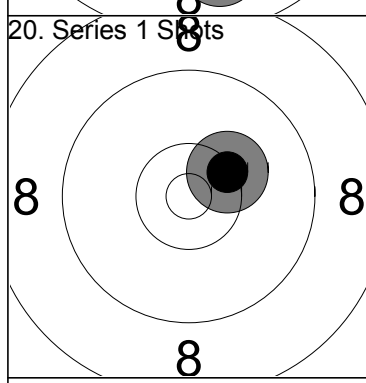
1: 9.1 ↓

Series	9.1
	176.2



1: 9.5 ↗

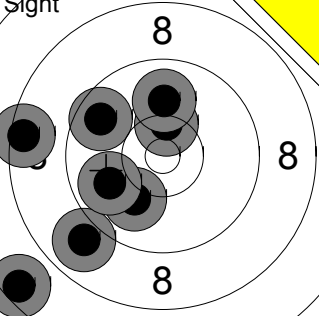
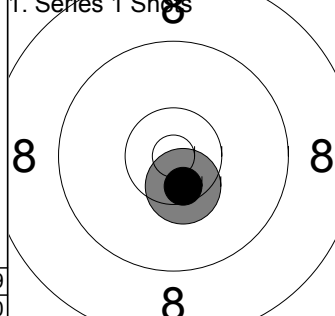
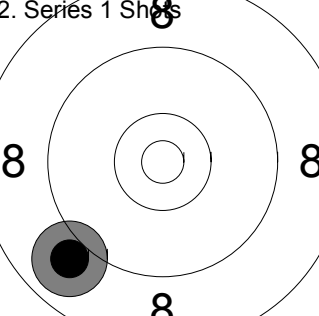
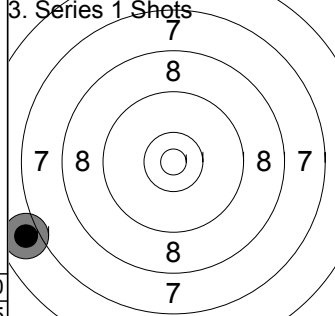
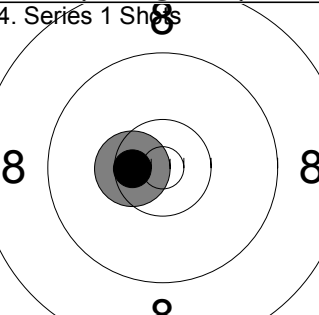
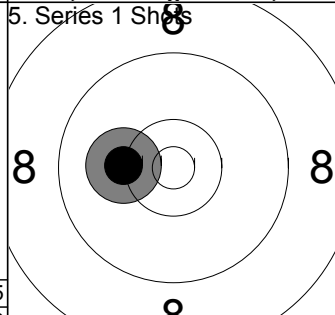
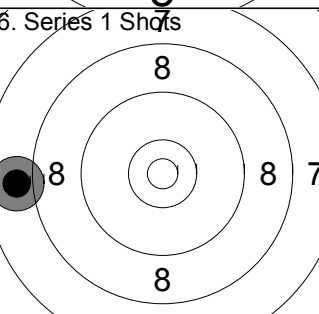
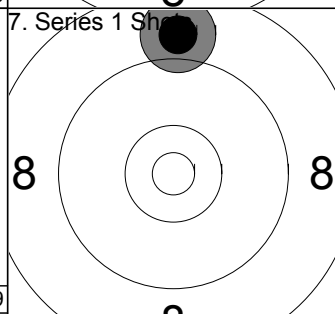
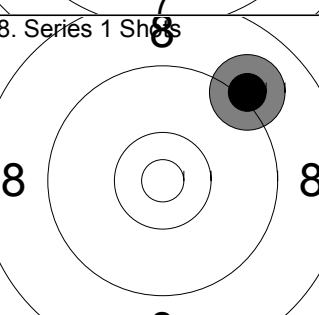
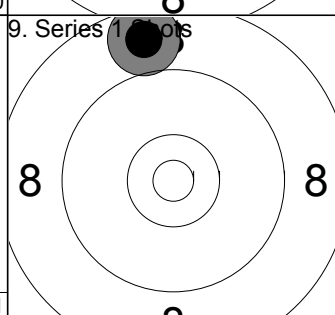
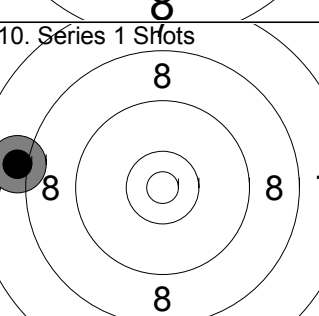
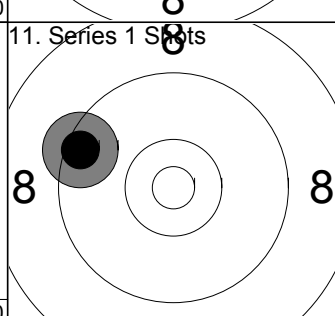
Series	9.5
	185.7

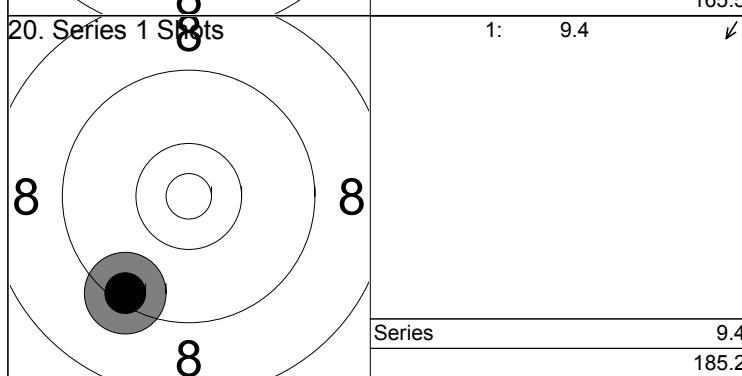
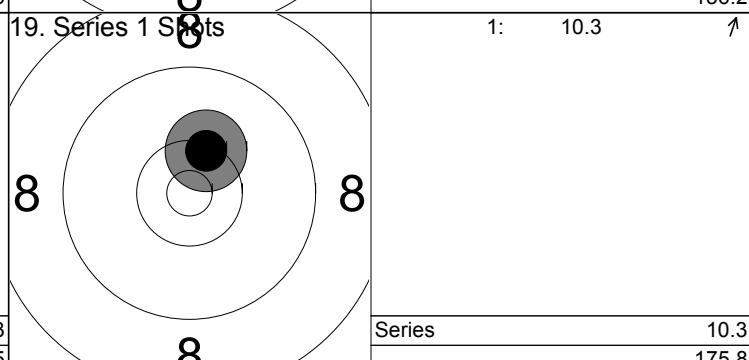
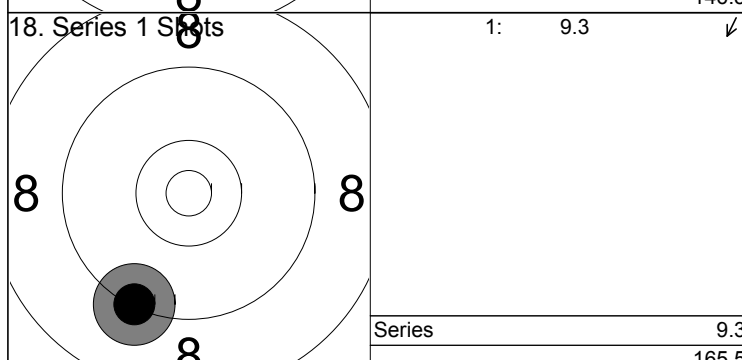
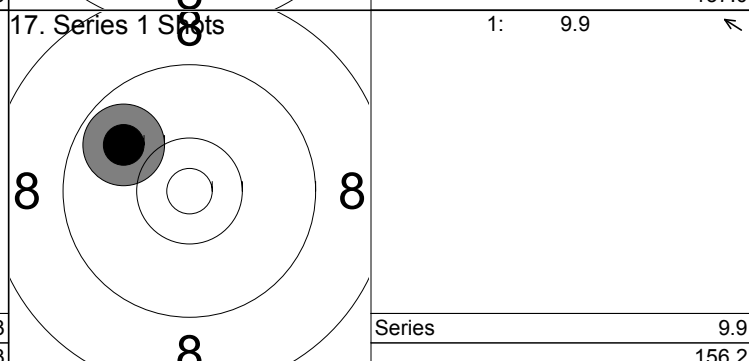
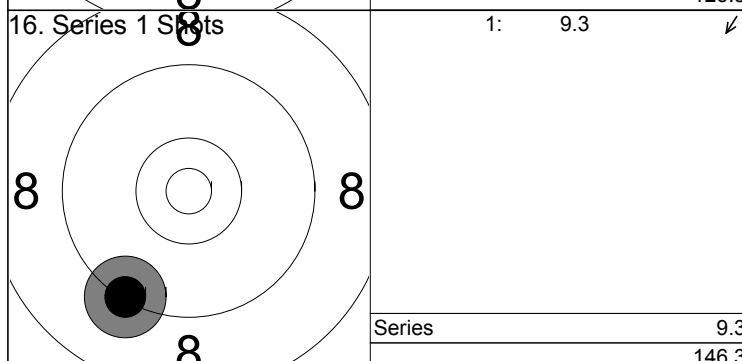
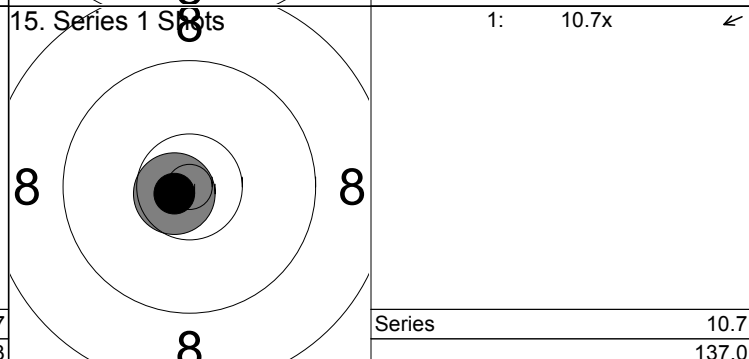
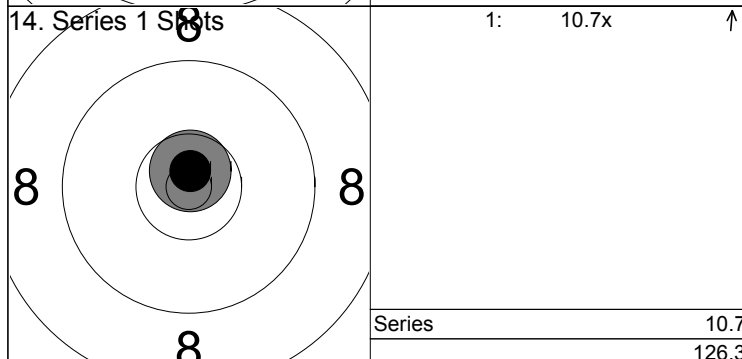
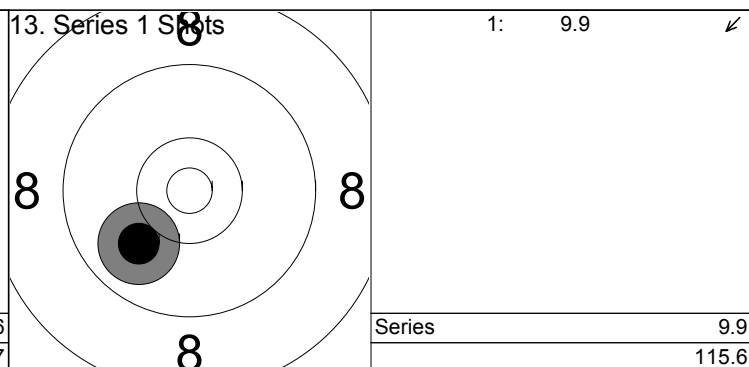
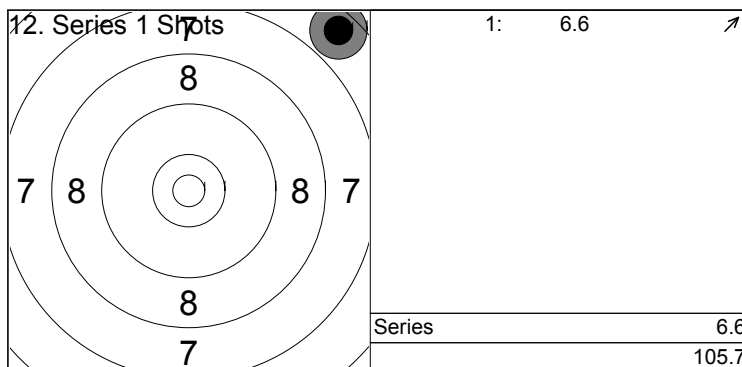


1: 10.3 ↗

Series	10.3
	196.0

--	--

Sight 	1: 10.4x ↑ 2: 7.5 ↙ 3: 10.0 ↑ 4: 8.5 ← 5: 10.0 ↘ 6: 9.7 ↙ 7: 8.9 ↘ 8: 9.9 ↙	1. Series 1 Shots 	1: 10.5x ↓ Series 10.5 10.5
2. Series 1 Shots 	1: 9.0 ↙ Series 9.0 19.5	3. Series 1 Shots 	1: 6.9 ↙ Series 6.9 26.4
4. Series 1 Shots 	1: 10.5x ← Series 10.5 36.9	5. Series 1 Shots 	1: 10.2 ← Series 10.2 47.1
6. Series 1 Shots 	1: 7.9 ← Series 7.9 55.0	7. Series 1 Shots 	1: 8.9 ↑ Series 8.9 63.9
8. Series 1 Shots 	1: 9.1 ↗ Series 9.1 73.0	9. Series 1 Shots 	1: 8.7 ↑ Series 8.7 81.7
10. Series 1 Shots 	1: 8.0 ← Series 8.0 89.7	11. Series 1 Shots 	1: 9.4 ← Series 9.4 99.1



--	--