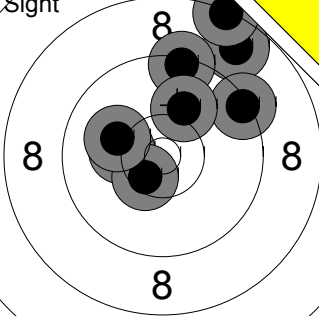
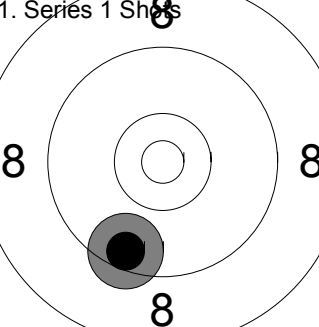
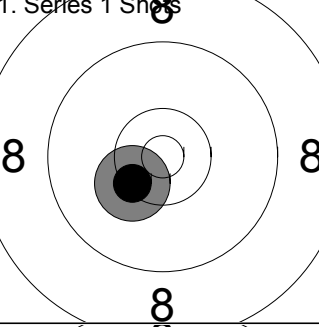
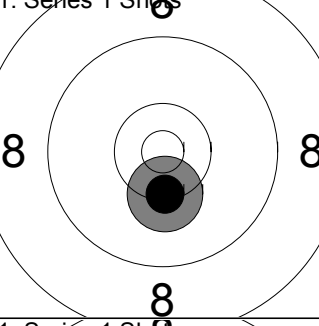
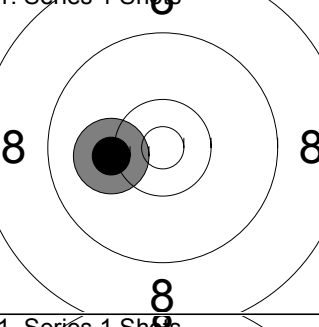
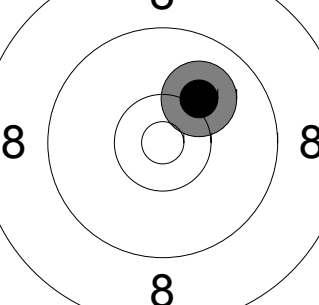
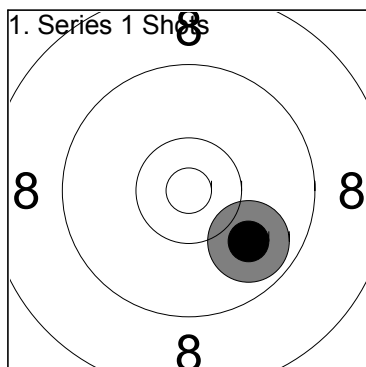
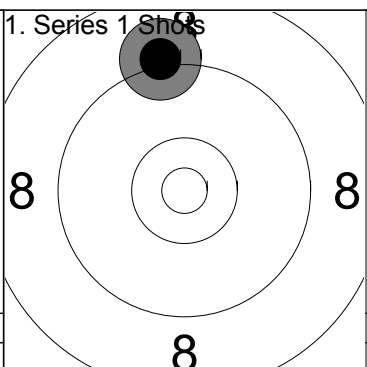


Sight		<table border="1" style="width:100%; border-collapse: collapse;"> <tr><td>1:</td><td>8.7</td><td>↗</td></tr> <tr><td>2:</td><td>8.3</td><td>↑</td></tr> <tr><td>3:</td><td>9.3</td><td>↑</td></tr> <tr><td>4:</td><td>9.3</td><td>↗</td></tr> <tr><td>5:</td><td>10.3</td><td>←</td></tr> <tr><td>6:</td><td>10.1</td><td>↑</td></tr> <tr><td>7:</td><td>10.5x</td><td>↙</td></tr> <tr><td>8:</td><td>10.1</td><td>←</td></tr> </table>	1:	8.7	↗	2:	8.3	↑	3:	9.3	↑	4:	9.3	↗	5:	10.3	←	6:	10.1	↑	7:	10.5x	↙	8:	10.1	←	<table border="1" style="width:100%; border-collapse: collapse;"> <tr><td>1. Series 1 Shots</td><td>8</td><td>←</td></tr> <tr><td>Series</td><td>76.6</td><td></td></tr> <tr><td></td><td>0.0</td><td></td></tr> </table>	1. Series 1 Shots	8	←	Series	76.6			0.0		<table border="1" style="width:100%; border-collapse: collapse;"> <tr><td>1:</td><td>9.7</td><td>←</td></tr> <tr><td>Series</td><td>9.7</td><td></td></tr> <tr><td></td><td>9.7</td><td></td></tr> </table>	1:	9.7	←	Series	9.7			9.7	
1:	8.7	↗																																												
2:	8.3	↑																																												
3:	9.3	↑																																												
4:	9.3	↗																																												
5:	10.3	←																																												
6:	10.1	↑																																												
7:	10.5x	↙																																												
8:	10.1	←																																												
1. Series 1 Shots	8	←																																												
Series	76.6																																													
	0.0																																													
1:	9.7	←																																												
Series	9.7																																													
	9.7																																													
1. Series 1 Shots		<table border="1" style="width:100%; border-collapse: collapse;"> <tr><td>2:</td><td>9.5</td><td>↘</td></tr> <tr><td>Series</td><td>9.5</td><td></td></tr> <tr><td></td><td>19.2</td><td></td></tr> </table>	2:	9.5	↘	Series	9.5			19.2		<table border="1" style="width:100%; border-collapse: collapse;"> <tr><td>1. Series 1 Shots</td><td>8</td><td></td></tr> <tr><td>Series</td><td>10.0</td><td></td></tr> <tr><td></td><td>29.2</td><td></td></tr> </table>	1. Series 1 Shots	8		Series	10.0			29.2		<table border="1" style="width:100%; border-collapse: collapse;"> <tr><td>3:</td><td>10.0</td><td>↓</td></tr> <tr><td>Series</td><td>10.0</td><td></td></tr> <tr><td></td><td>29.2</td><td></td></tr> </table>	3:	10.0	↓	Series	10.0			29.2																
2:	9.5	↘																																												
Series	9.5																																													
	19.2																																													
1. Series 1 Shots	8																																													
Series	10.0																																													
	29.2																																													
3:	10.0	↓																																												
Series	10.0																																													
	29.2																																													
1. Series 1 Shots		<table border="1" style="width:100%; border-collapse: collapse;"> <tr><td>4:</td><td>10.4</td><td>↙</td></tr> <tr><td>Series</td><td>10.4</td><td></td></tr> <tr><td></td><td>39.6</td><td></td></tr> </table>	4:	10.4	↙	Series	10.4			39.6		<table border="1" style="width:100%; border-collapse: collapse;"> <tr><td>1. Series 1 Shots</td><td>8</td><td></td></tr> <tr><td>Series</td><td>9.9</td><td></td></tr> <tr><td></td><td>49.5</td><td></td></tr> </table>	1. Series 1 Shots	8		Series	9.9			49.5		<table border="1" style="width:100%; border-collapse: collapse;"> <tr><td>5:</td><td>9.9</td><td>↗</td></tr> <tr><td>Series</td><td>9.9</td><td></td></tr> <tr><td></td><td>49.5</td><td></td></tr> </table>	5:	9.9	↗	Series	9.9			49.5																
4:	10.4	↙																																												
Series	10.4																																													
	39.6																																													
1. Series 1 Shots	8																																													
Series	9.9																																													
	49.5																																													
5:	9.9	↗																																												
Series	9.9																																													
	49.5																																													
1. Series 1 Shots		<table border="1" style="width:100%; border-collapse: collapse;"> <tr><td>6:</td><td>10.3</td><td>↓</td></tr> <tr><td>Series</td><td>10.3</td><td></td></tr> <tr><td></td><td>59.8</td><td></td></tr> </table>	6:	10.3	↓	Series	10.3			59.8		<table border="1" style="width:100%; border-collapse: collapse;"> <tr><td>1. Series 1 Shots</td><td>8</td><td></td></tr> <tr><td>Series</td><td>10.2</td><td></td></tr> <tr><td></td><td>70.0</td><td></td></tr> </table>	1. Series 1 Shots	8		Series	10.2			70.0		<table border="1" style="width:100%; border-collapse: collapse;"> <tr><td>7:</td><td>10.2</td><td>↓</td></tr> <tr><td>Series</td><td>10.2</td><td></td></tr> <tr><td></td><td>70.0</td><td></td></tr> </table>	7:	10.2	↓	Series	10.2			70.0																
6:	10.3	↓																																												
Series	10.3																																													
	59.8																																													
1. Series 1 Shots	8																																													
Series	10.2																																													
	70.0																																													
7:	10.2	↓																																												
Series	10.2																																													
	70.0																																													
1. Series 1 Shots		<table border="1" style="width:100%; border-collapse: collapse;"> <tr><td>8:</td><td>10.2</td><td>←</td></tr> <tr><td>Series</td><td>10.2</td><td></td></tr> <tr><td></td><td>80.2</td><td></td></tr> </table>	8:	10.2	←	Series	10.2			80.2		<table border="1" style="width:100%; border-collapse: collapse;"> <tr><td>1. Series 1 Shots</td><td>8</td><td></td></tr> <tr><td>Series</td><td>9.5</td><td></td></tr> <tr><td></td><td>89.7</td><td></td></tr> </table>	1. Series 1 Shots	8		Series	9.5			89.7		<table border="1" style="width:100%; border-collapse: collapse;"> <tr><td>9:</td><td>9.5</td><td>↗</td></tr> <tr><td>Series</td><td>9.5</td><td></td></tr> <tr><td></td><td>89.7</td><td></td></tr> </table>	9:	9.5	↗	Series	9.5			89.7																
8:	10.2	←																																												
Series	10.2																																													
	80.2																																													
1. Series 1 Shots	8																																													
Series	9.5																																													
	89.7																																													
9:	9.5	↗																																												
Series	9.5																																													
	89.7																																													
1. Series 1 Shots		<table border="1" style="width:100%; border-collapse: collapse;"> <tr><td>10:</td><td>10.1</td><td>↗</td></tr> <tr><td>Series</td><td>10.1</td><td></td></tr> <tr><td></td><td>99.8</td><td></td></tr> </table>	10:	10.1	↗	Series	10.1			99.8		<table border="1" style="width:100%; border-collapse: collapse;"> <tr><td>1. Series 1 Shots</td><td>8</td><td></td></tr> <tr><td>Series</td><td>10.2</td><td></td></tr> <tr><td></td><td>110.0</td><td></td></tr> </table>	1. Series 1 Shots	8		Series	10.2			110.0		<table border="1" style="width:100%; border-collapse: collapse;"> <tr><td>11:</td><td>10.2</td><td>↑</td></tr> <tr><td>Series</td><td>10.2</td><td></td></tr> <tr><td></td><td>110.0</td><td></td></tr> </table>	11:	10.2	↑	Series	10.2			110.0																
10:	10.1	↗																																												
Series	10.1																																													
	99.8																																													
1. Series 1 Shots	8																																													
Series	10.2																																													
	110.0																																													
11:	10.2	↑																																												
Series	10.2																																													
	110.0																																													



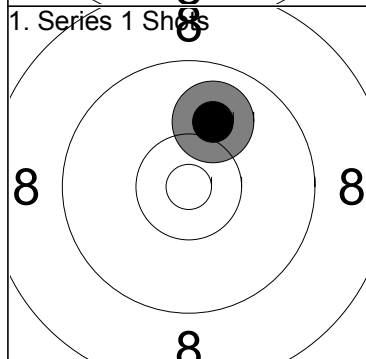
12: 9.9 ↘

Series	9.9
	119.9



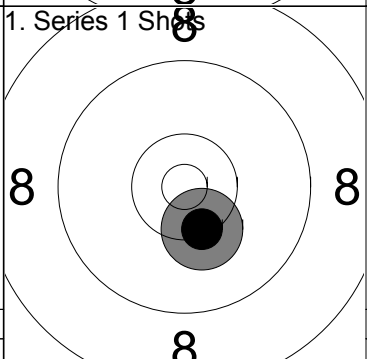
13: 9.1 ↑

Series	9.1
	129.0



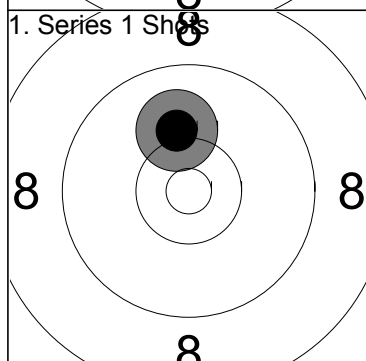
14: 10.0 ↑

Series	10.0
	139.0



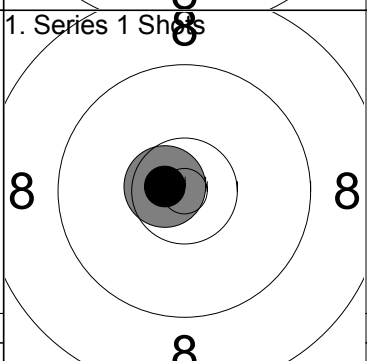
15: 10.3 ↓

Series	10.3
	149.3



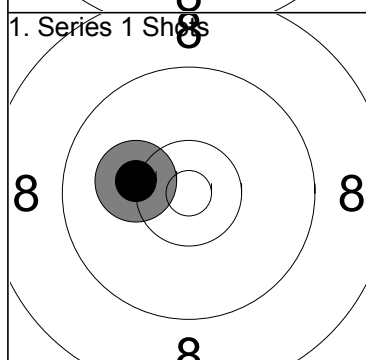
16: 10.1 ↑

Series	10.1
	159.4



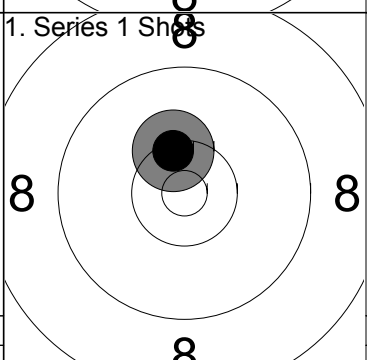
17: 10.7x ←

Series	10.7
	170.1



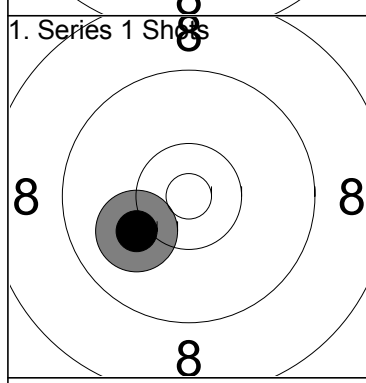
18: 10.2 ←

Series	10.2
	180.3



19: 10.4 ↑

Series	10.4
	190.7



20: 10.1 ↙

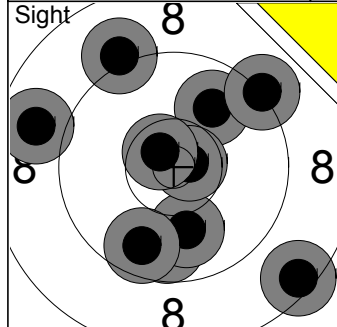
Series	10.1
	200.8

--	--

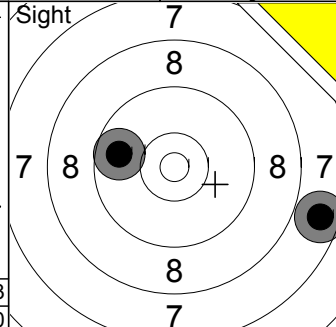
Relay **1** Lane **21** **Oskar Miliwek**

Luft POL Pistol

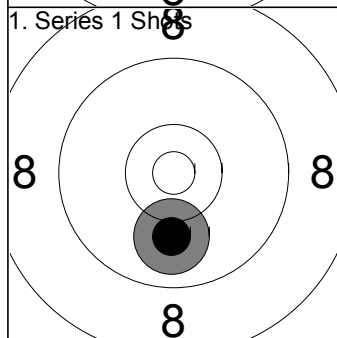
03.10.2015 EYL Final Söraby SKF



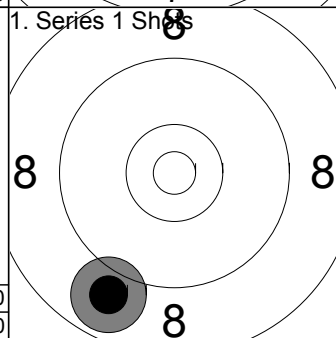
1:	8.8
2:	9.1
3:	9.8
4:	9.9
5:	9.2
6:	8.5
7:	10.0
8:	10.7x
9:	10.6x
10:	9.7
Series	96.3
	0.0



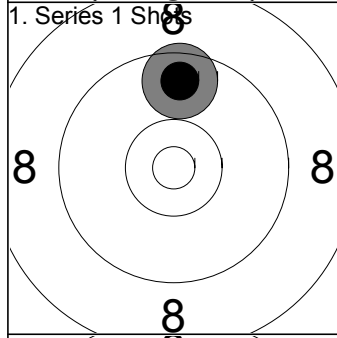
11:	9.7
12:	7.7
Series	17.4
	0.0



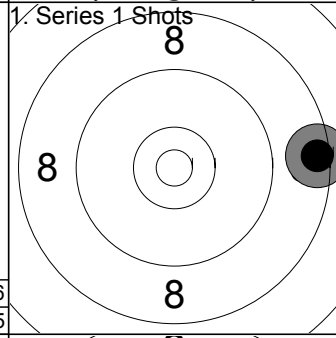
1:	10.0
Series	10.0
	10.0



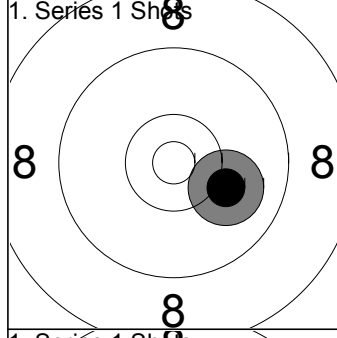
2:	8.9
Series	8.9
	18.9



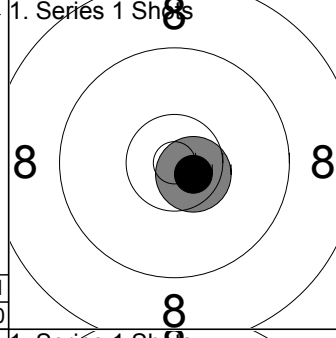
3:	9.6
Series	9.6
	28.5



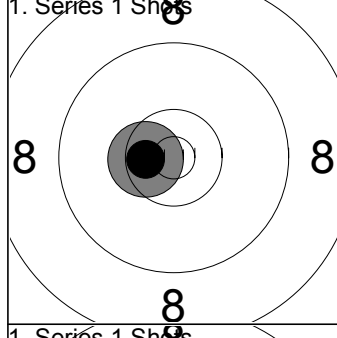
4:	8.4
Series	8.4
	36.9



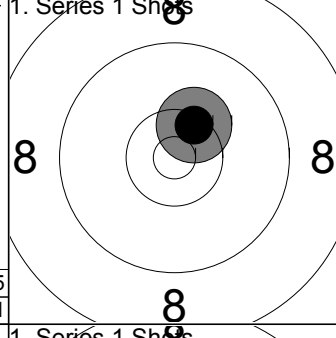
5:	10.1
Series	10.1
	47.0



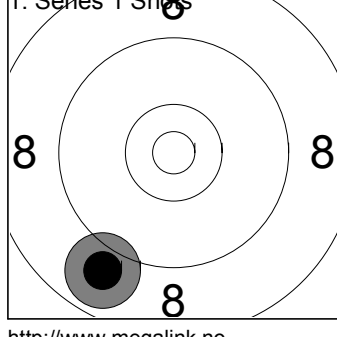
6:	10.6x
Series	10.6
	57.6



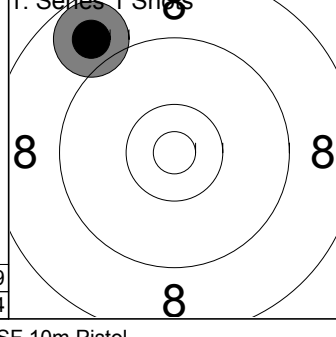
7:	10.5x
Series	10.5
	68.1



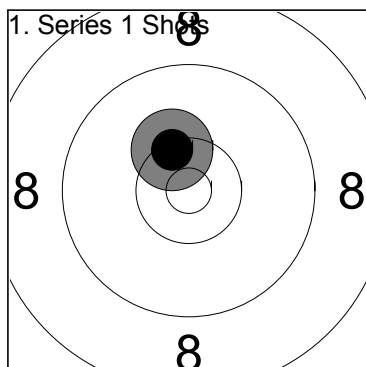
8:	10.4x
Series	10.4
	78.5



9:	8.9
Series	8.9
	87.4

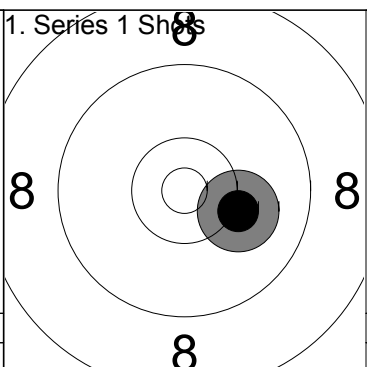


10:	8.8
Series	8.8
	96.2



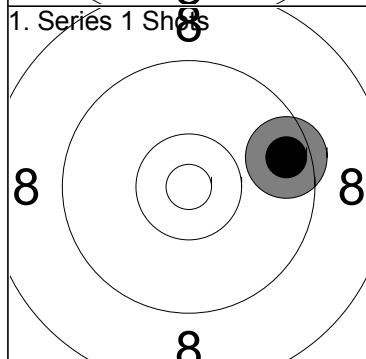
11: 10.3

Series	10.3
	106.5



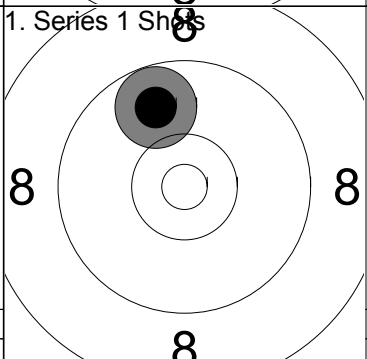
12: 10.2

Series	10.2
	116.7



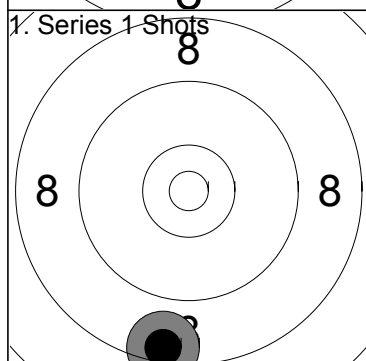
13: 9.6

Series	9.6
	126.3



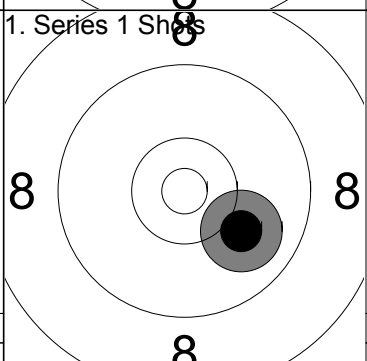
14: 9.8

Series	9.8
	136.1



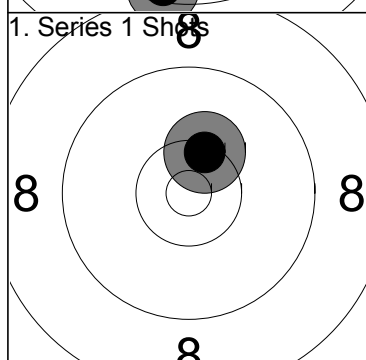
15: 8.5

Series	8.5
	144.6



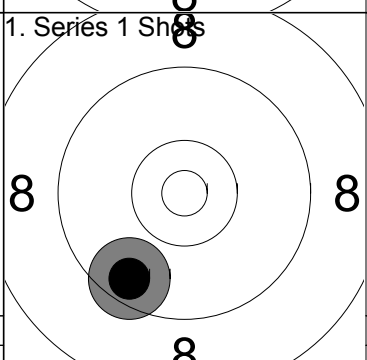
16: 10.0

Series	10.0
	154.6



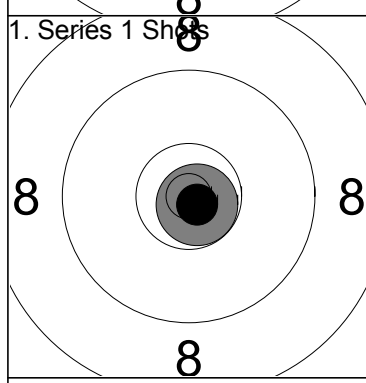
17: 10.3

Series	10.3
	164.9



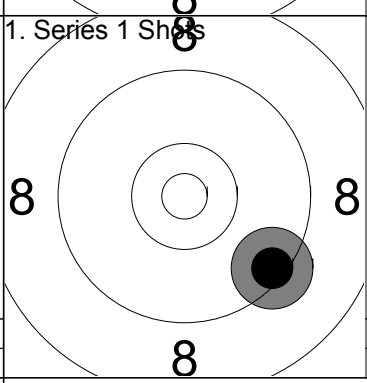
18: 9.6

Series	9.6
	174.5



19: 10.8x

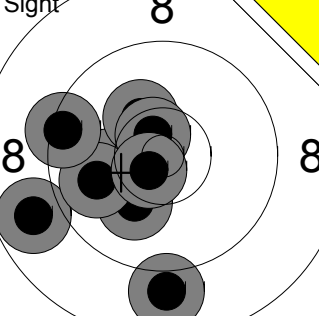
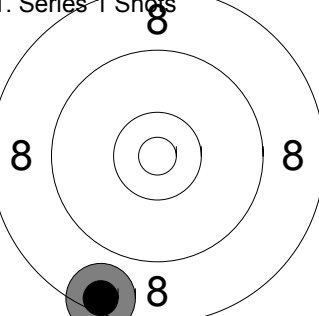
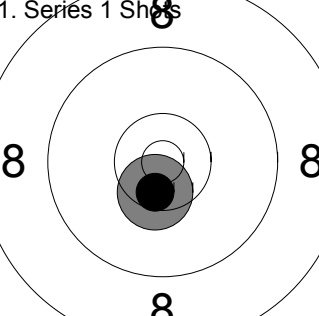
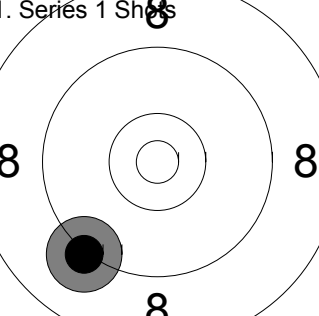
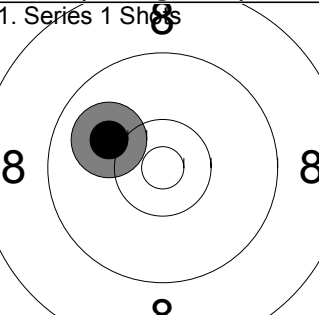
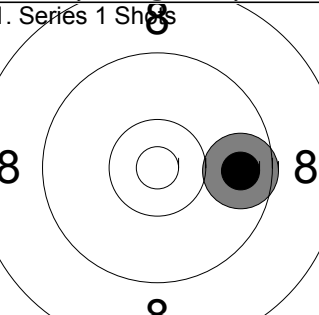
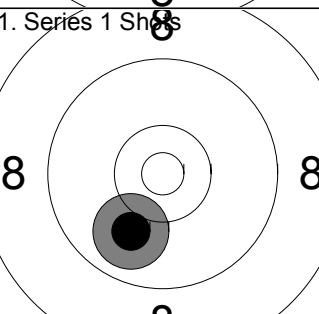
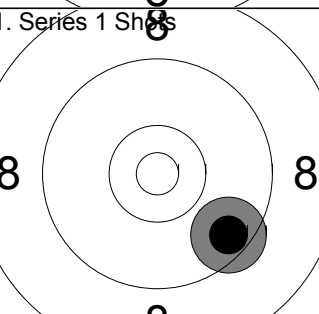
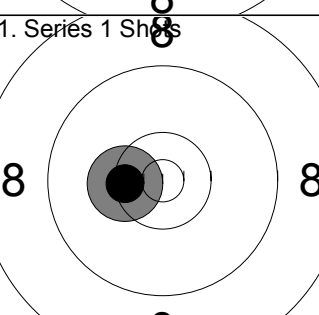
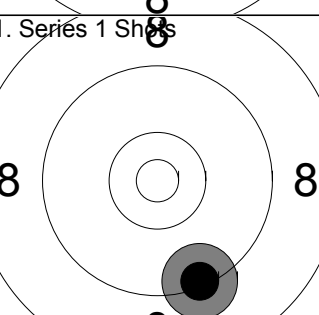
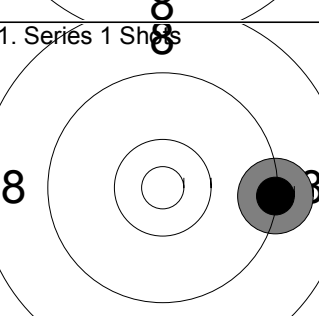
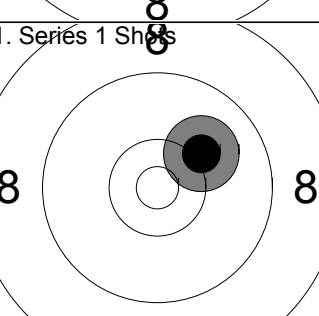
Series	10.8
	185.3

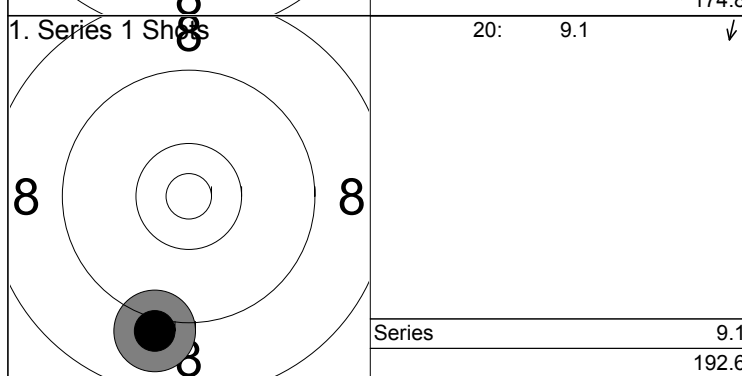
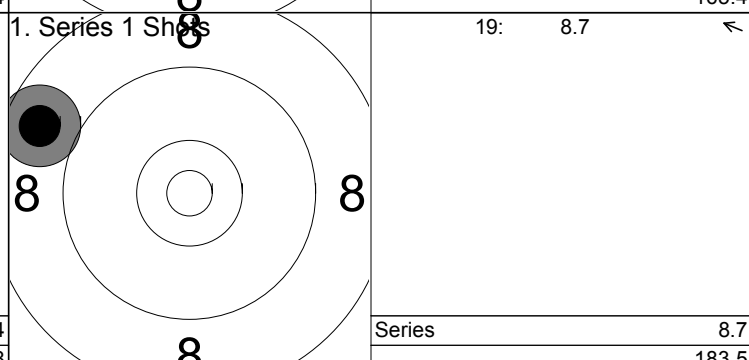
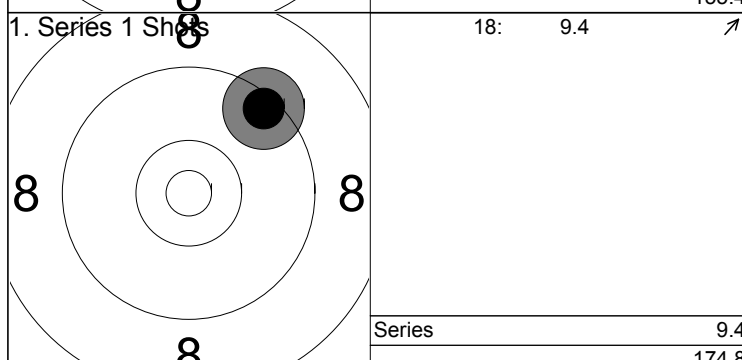
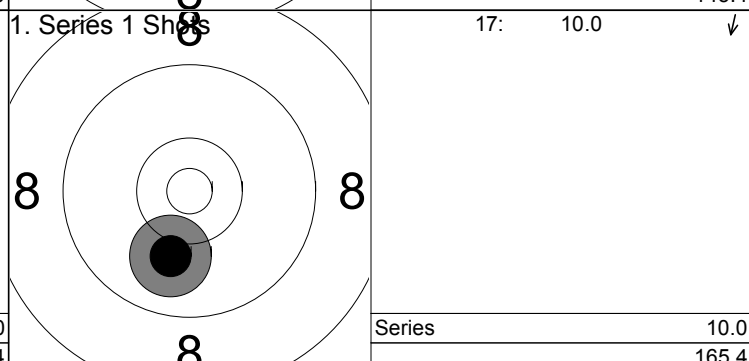
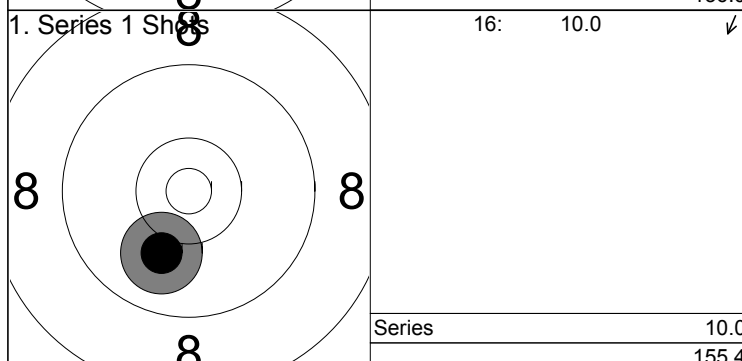
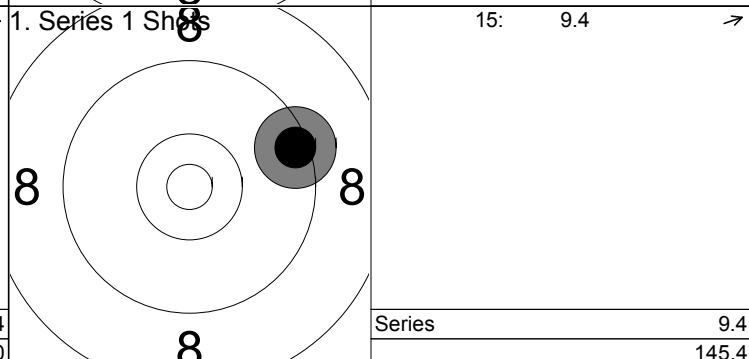
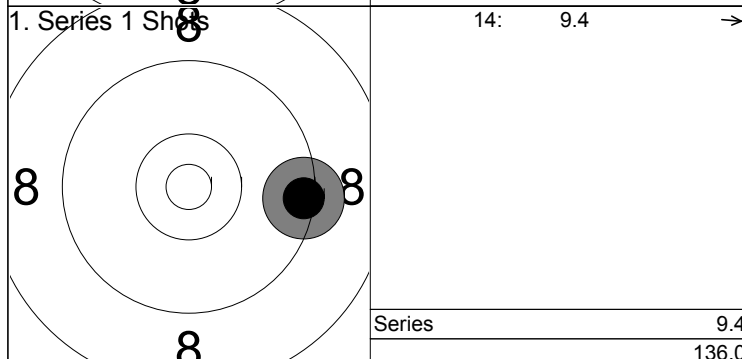
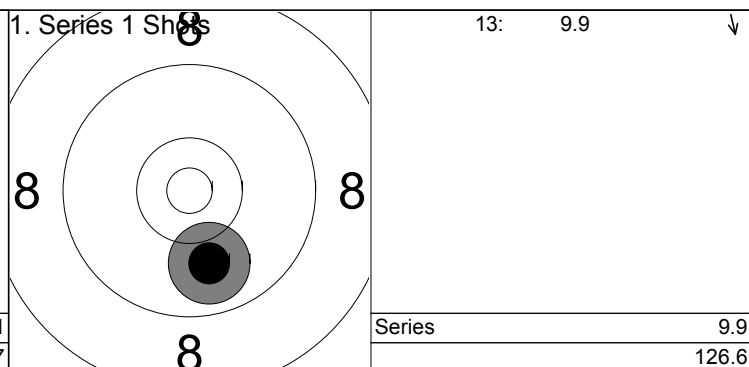
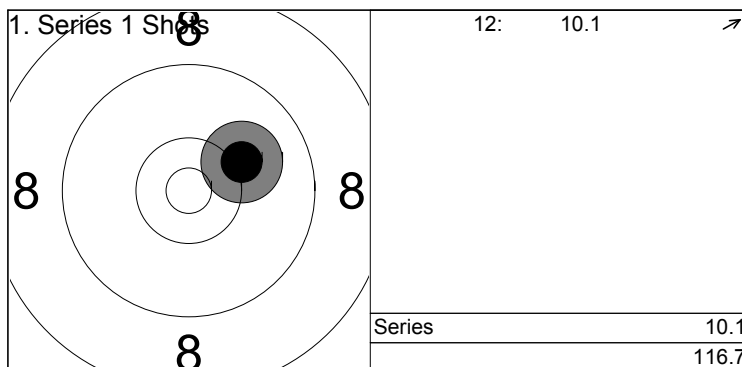


20: 9.4

Series	9.4
	194.7

--	--

Sight 	1: 8.8 2: 10.2 3: 10.1 4: 10.3 5: 9.9 6: 10.6x 7: 8.9 8: 9.4 9: 10.7x Series 88.9 0.0	1. Series 1 Shots 	1: 8.5 Series 8.5 8.5
1. Series 1 Shots 	2: 10.5x Series 10.5 19.0	1. Series 1 Shots 	3: 9.2 Series 9.2 28.2
1. Series 1 Shots 	4: 10.0 Series 10.0 38.2	1. Series 1 Shots 	5: 9.7 Series 9.7 47.9
1. Series 1 Shots 	6: 10.0 Series 10.0 57.9	1. Series 1 Shots 	7: 9.6 Series 9.6 67.5
1. Series 1 Shots 	8: 10.4x Series 10.4 77.9	1. Series 1 Shots 	9: 9.3 Series 9.3 87.2
1. Series 1 Shots 	10: 9.3 Series 9.3 96.5	1. Series 1 Shots 	11: 10.1 Series 10.1 106.6

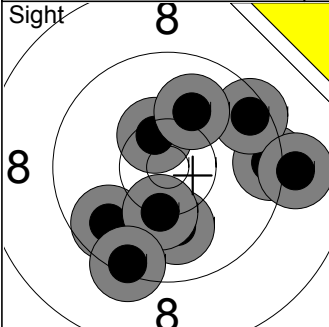
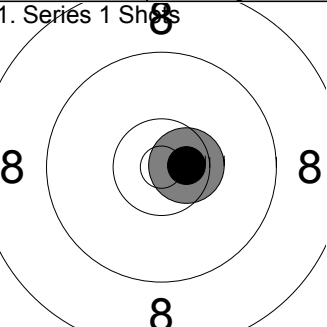
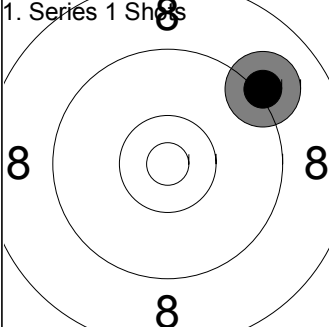
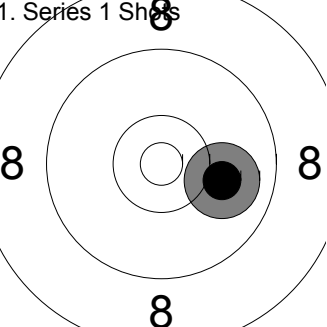
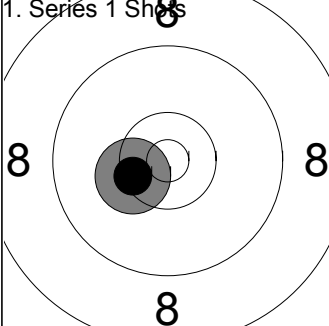
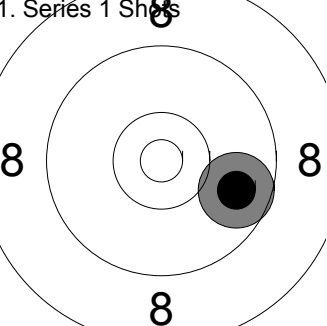
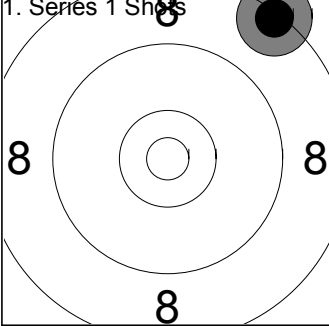
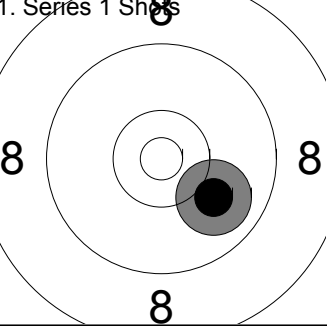
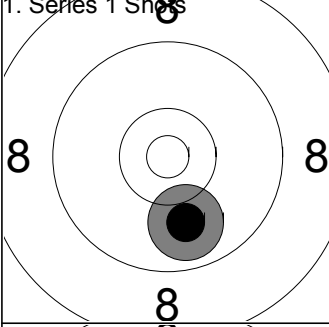
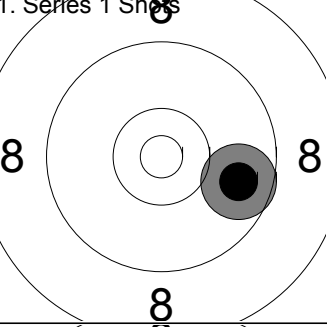
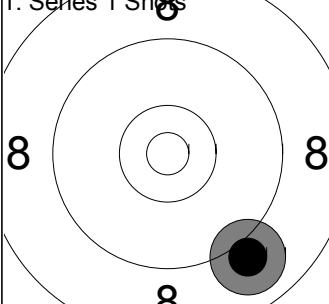
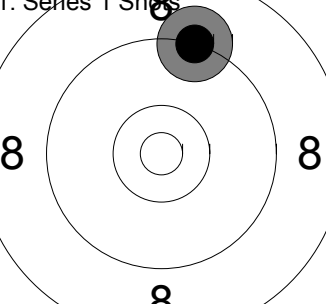


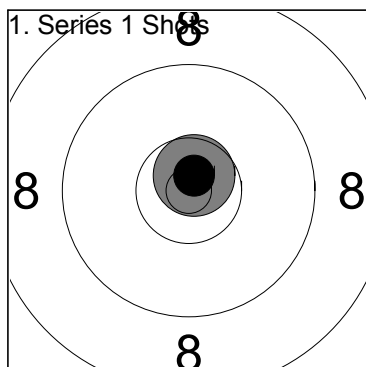
--	--

Relay **1** Lane **23** **Patryk Sakowski**

Luft POL Pistol

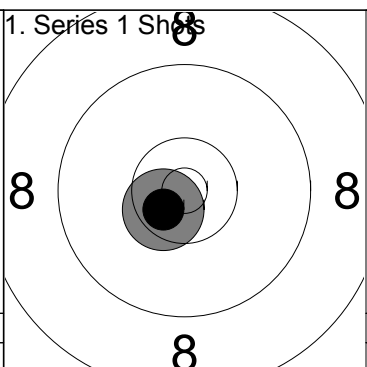
03.10.2015 EYL Final Söraby SKF

 <p>Sight 8</p>	<p>1: 10.4x 2: 9.4 3: 9.7 4: 9.5 5: 10.0 6: 10.3 7: 9.0 8: 10.1 9: 9.4</p> <p>Series 87.8 0.0</p>	 <p>1. Series 1 Shots 8</p>	<p>1: 10.6x</p> <p>Series 10.6 10.6</p>
 <p>1. Series 1 Shots 8</p>	<p>2: 9.1</p> <p>Series 9.1 19.7</p>	 <p>1. Series 1 Shots 8</p>	<p>3: 10.0</p> <p>Series 10.0 29.7</p>
 <p>1. Series 1 Shots 8</p>	<p>4: 10.4x</p> <p>Series 10.4 40.1</p>	 <p>1. Series 1 Shots 8</p>	<p>5: 9.7</p> <p>Series 9.7 49.8</p>
 <p>1. Series 1 Shots 8</p>	<p>6: 8.3</p> <p>Series 8.3 58.1</p>	 <p>1. Series 1 Shots 8</p>	<p>7: 10.0</p> <p>Series 10.0 68.1</p>
 <p>1. Series 1 Shots 8</p>	<p>8: 9.9</p> <p>Series 9.9 78.0</p>	 <p>1. Series 1 Shots 8</p>	<p>9: 9.7</p> <p>Series 9.7 87.7</p>
 <p>1. Series 1 Shots 8</p>	<p>10: 9.0</p> <p>Series 9.0 96.7</p>	 <p>1. Series 1 Shots 8</p>	<p>11: 9.2</p> <p>Series 9.2 105.9</p>



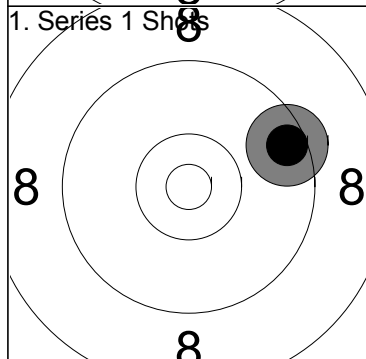
12: 10.7x ↑

Series	10.7
	116.6



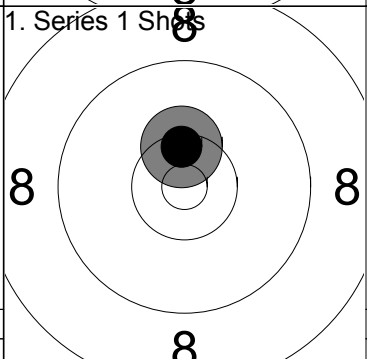
13: 10.6x ↖

Series	10.6
	127.2



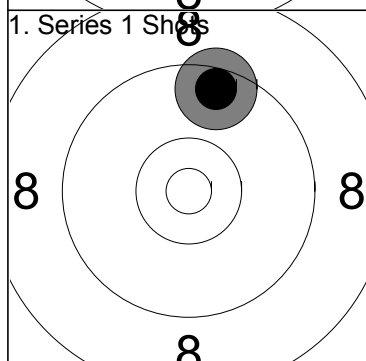
14: 9.5 →

Series	9.5
	136.7



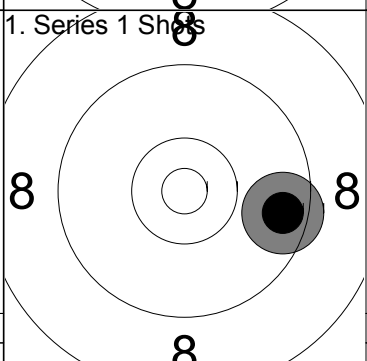
15: 10.4x ↑

Series	10.4
	147.1



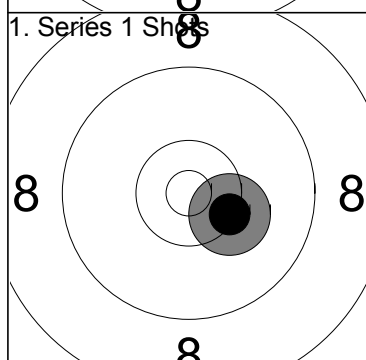
16: 9.5 ↑

Series	9.5
	156.6



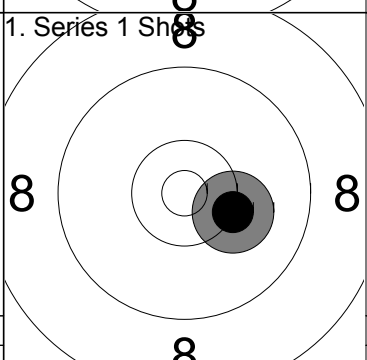
17: 9.6 →

Series	9.6
	166.2



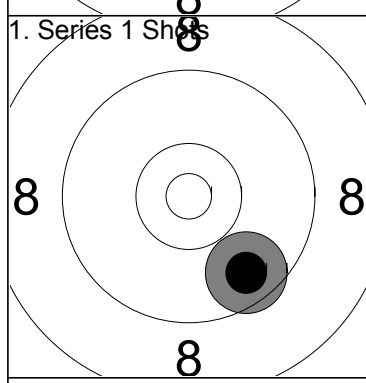
18: 10.3 →

Series	10.3
	176.5



19: 10.2 →

Series	10.2
	186.7

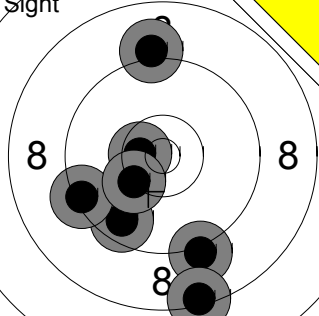
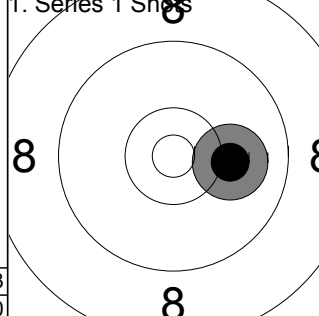
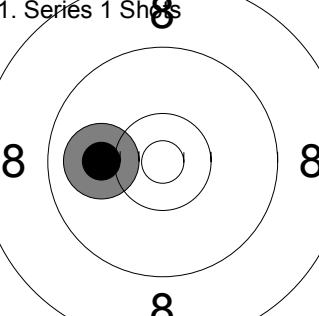
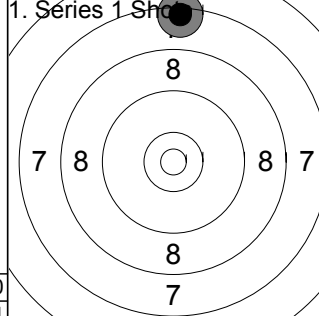
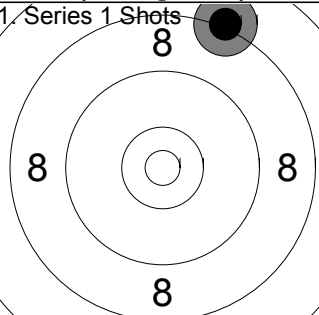
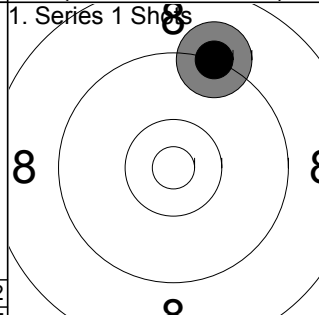
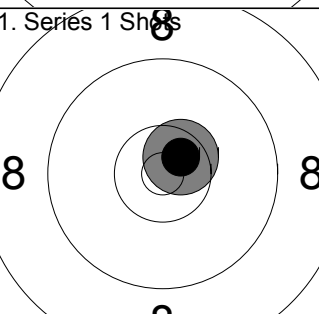
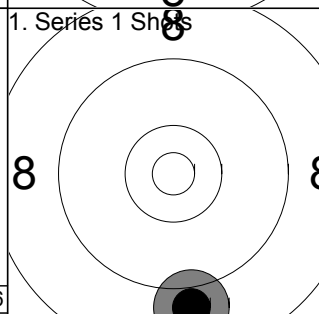
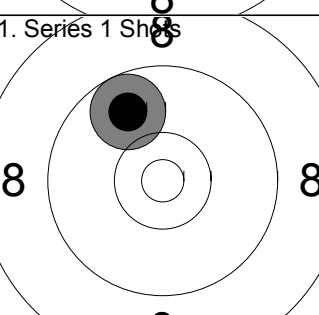
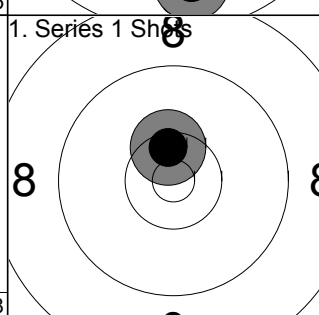
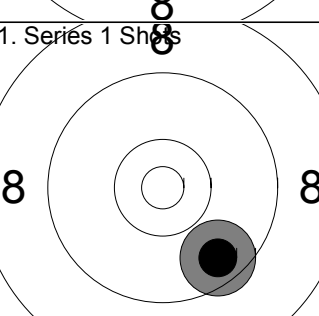
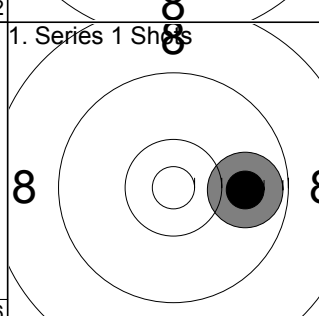


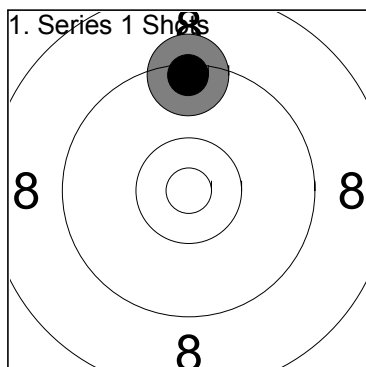
20: 9.6 ↘

Series	9.6
	196.3

--	--

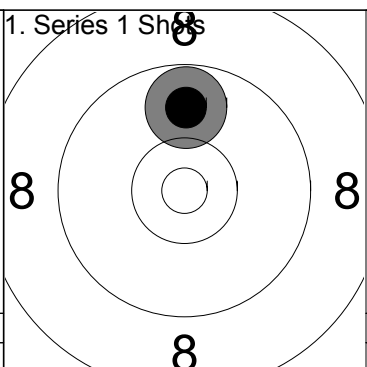


 <p>Sight</p>	<table border="1" style="width:100%; border-collapse: collapse;"> <tr><td>1:</td><td>9.6</td><td>↘</td></tr> <tr><td>2:</td><td>9.1</td><td>↓</td></tr> <tr><td>3:</td><td>8.3</td><td>↓</td></tr> <tr><td>4:</td><td>9.4</td><td>↓</td></tr> <tr><td>5:</td><td>10.5x</td><td>←</td></tr> <tr><td>6:</td><td>10.3</td><td>←</td></tr> <tr><td>7:</td><td>9.1</td><td>↑</td></tr> </table>	1:	9.6	↘	2:	9.1	↓	3:	8.3	↓	4:	9.4	↓	5:	10.5x	←	6:	10.3	←	7:	9.1	↑	 <p>1. Series 1 Shots</p>	<table border="1" style="width:100%; border-collapse: collapse;"> <tr><td>1:</td><td>10.1</td><td>→</td></tr> </table>	1:	10.1	→
1:	9.6	↘																									
2:	9.1	↓																									
3:	8.3	↓																									
4:	9.4	↓																									
5:	10.5x	←																									
6:	10.3	←																									
7:	9.1	↑																									
1:	10.1	→																									
	<table border="1" style="width:100%; border-collapse: collapse;"> <tr><td>Series</td><td>66.3</td></tr> <tr><td></td><td>0.0</td></tr> </table>	Series	66.3		0.0		<table border="1" style="width:100%; border-collapse: collapse;"> <tr><td>Series</td><td>10.1</td></tr> <tr><td></td><td>10.1</td></tr> </table>	Series	10.1		10.1																
Series	66.3																										
	0.0																										
Series	10.1																										
	10.1																										
 <p>1. Series 1 Shots</p>	<table border="1" style="width:100%; border-collapse: collapse;"> <tr><td>2:</td><td>10.0</td><td>←</td></tr> </table>	2:	10.0	←	 <p>1. Series 1 Shots</p>	<table border="1" style="width:100%; border-collapse: collapse;"> <tr><td>3:</td><td>7.4</td><td>↑</td></tr> </table>	3:	7.4	↑																		
2:	10.0	←																									
3:	7.4	↑																									
	<table border="1" style="width:100%; border-collapse: collapse;"> <tr><td>Series</td><td>10.0</td></tr> <tr><td></td><td>20.1</td></tr> </table>	Series	10.0		20.1		<table border="1" style="width:100%; border-collapse: collapse;"> <tr><td>Series</td><td>7.4</td></tr> <tr><td></td><td>27.5</td></tr> </table>	Series	7.4		27.5																
Series	10.0																										
	20.1																										
Series	7.4																										
	27.5																										
 <p>1. Series 1 Shots</p>	<table border="1" style="width:100%; border-collapse: collapse;"> <tr><td>4:</td><td>8.2</td><td>↗</td></tr> </table>	4:	8.2	↗	 <p>1. Series 1 Shots</p>	<table border="1" style="width:100%; border-collapse: collapse;"> <tr><td>5:</td><td>9.2</td><td>↑</td></tr> </table>	5:	9.2	↑																		
4:	8.2	↗																									
5:	9.2	↑																									
	<table border="1" style="width:100%; border-collapse: collapse;"> <tr><td>Series</td><td>8.2</td></tr> <tr><td></td><td>35.7</td></tr> </table>	Series	8.2		35.7		<table border="1" style="width:100%; border-collapse: collapse;"> <tr><td>Series</td><td>9.2</td></tr> <tr><td></td><td>44.9</td></tr> </table>	Series	9.2		44.9																
Series	8.2																										
	35.7																										
Series	9.2																										
	44.9																										
 <p>1. Series 1 Shots</p>	<table border="1" style="width:100%; border-collapse: collapse;"> <tr><td>6:</td><td>10.6x</td><td>↗</td></tr> </table>	6:	10.6x	↗	 <p>1. Series 1 Shots</p>	<table border="1" style="width:100%; border-collapse: collapse;"> <tr><td>7:</td><td>8.9</td><td>↓</td></tr> </table>	7:	8.9	↓																		
6:	10.6x	↗																									
7:	8.9	↓																									
	<table border="1" style="width:100%; border-collapse: collapse;"> <tr><td>Series</td><td>10.6</td></tr> <tr><td></td><td>55.5</td></tr> </table>	Series	10.6		55.5		<table border="1" style="width:100%; border-collapse: collapse;"> <tr><td>Series</td><td>8.9</td></tr> <tr><td></td><td>64.4</td></tr> </table>	Series	8.9		64.4																
Series	10.6																										
	55.5																										
Series	8.9																										
	64.4																										
 <p>1. Series 1 Shots</p>	<table border="1" style="width:100%; border-collapse: collapse;"> <tr><td>8:</td><td>9.8</td><td>↖</td></tr> </table>	8:	9.8	↖	 <p>1. Series 1 Shots</p>	<table border="1" style="width:100%; border-collapse: collapse;"> <tr><td>9:</td><td>10.5x</td><td>↑</td></tr> </table>	9:	10.5x	↑																		
8:	9.8	↖																									
9:	10.5x	↑																									
	<table border="1" style="width:100%; border-collapse: collapse;"> <tr><td>Series</td><td>9.8</td></tr> <tr><td></td><td>74.2</td></tr> </table>	Series	9.8		74.2		<table border="1" style="width:100%; border-collapse: collapse;"> <tr><td>Series</td><td>10.5</td></tr> <tr><td></td><td>84.7</td></tr> </table>	Series	10.5		84.7																
Series	9.8																										
	74.2																										
Series	10.5																										
	84.7																										
 <p>1. Series 1 Shots</p>	<table border="1" style="width:100%; border-collapse: collapse;"> <tr><td>10:</td><td>9.6</td><td>↘</td></tr> </table>	10:	9.6	↘	 <p>1. Series 1 Shots</p>	<table border="1" style="width:100%; border-collapse: collapse;"> <tr><td>11:</td><td>9.9</td><td>→</td></tr> </table>	11:	9.9	→																		
10:	9.6	↘																									
11:	9.9	→																									
	<table border="1" style="width:100%; border-collapse: collapse;"> <tr><td>Series</td><td>9.6</td></tr> <tr><td></td><td>94.3</td></tr> </table>	Series	9.6		94.3		<table border="1" style="width:100%; border-collapse: collapse;"> <tr><td>Series</td><td>9.9</td></tr> <tr><td></td><td>104.2</td></tr> </table>	Series	9.9		104.2																
Series	9.6																										
	94.3																										
Series	9.9																										
	104.2																										



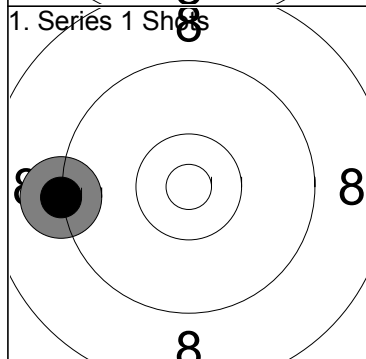
12: 9.4 ↑

Series	9.4
	113.6



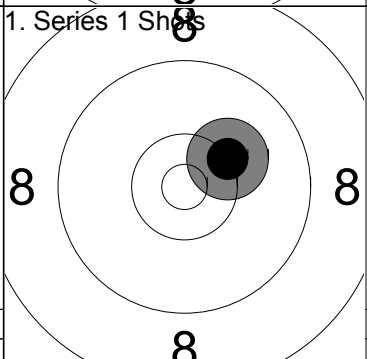
13: 9.8 ↑

Series	9.8
	123.4



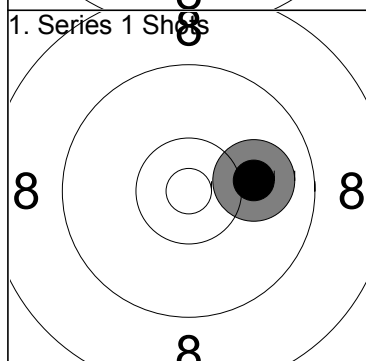
14: 9.2 ←

Series	9.2
	132.6



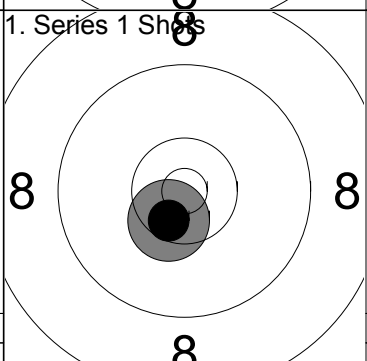
15: 10.2 ↗

Series	10.2
	142.8



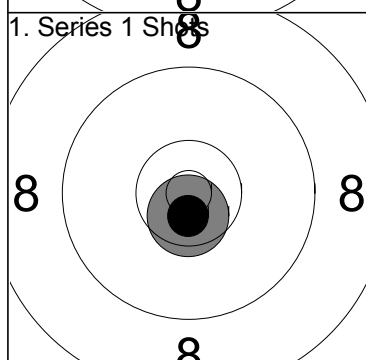
16: 10.0 →

Series	10.0
	152.8



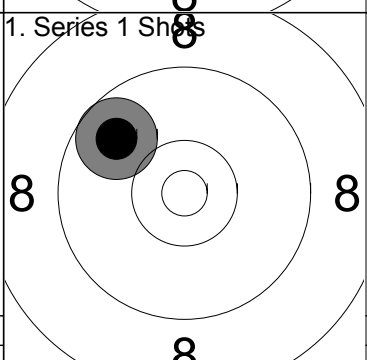
17: 10.5x ↘

Series	10.5
	163.3



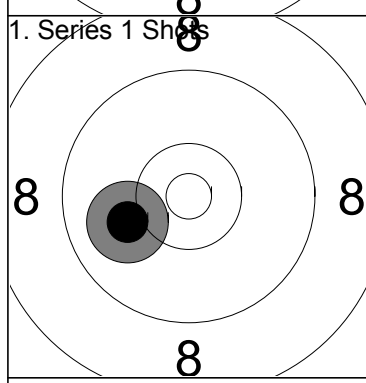
18: 10.6x ↓

Series	10.6
	173.9



19: 9.8 ↖

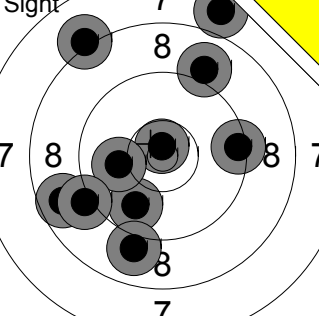
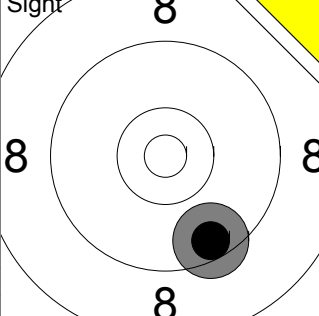
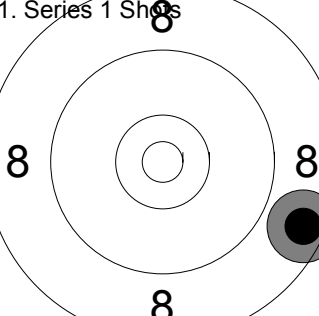
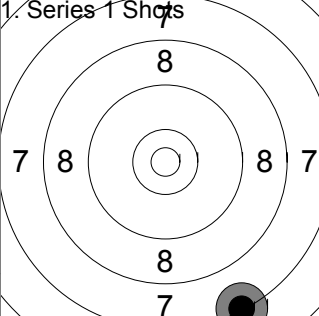
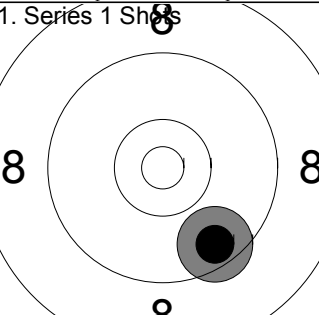
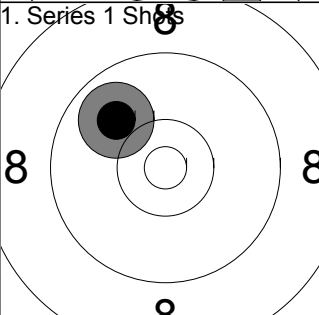
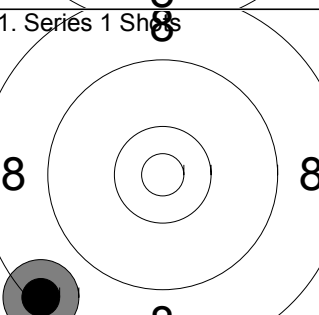
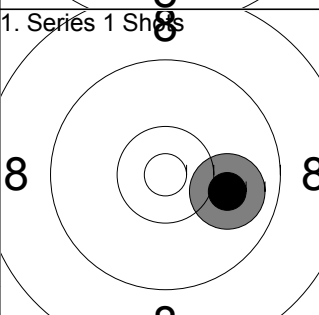
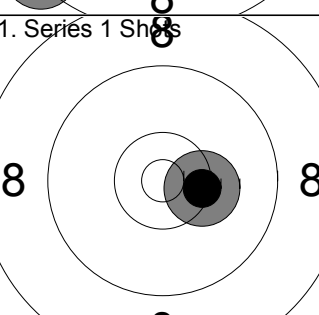
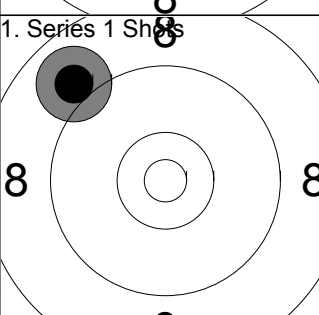
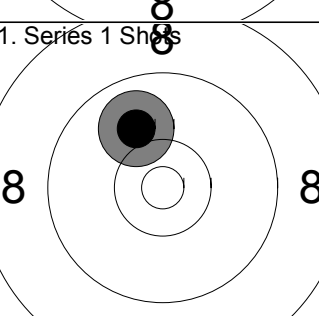
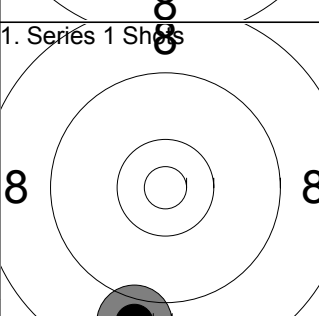
Series	9.8
	183.7



20: 10.0 ←

Series	10.0
	193.7

--	--

	<table style="width:100%; border-collapse: collapse;"> <tr><td style="width:50%;">1: 7.8</td><td style="width:5%; text-align:center;">↑</td><td style="width:45%;">Sight</td></tr> <tr><td>2: 8.1</td><td style="text-align:center;">↗</td><td style="text-align:center;"><b>8</b></td></tr> <tr><td>3: 9.0</td><td style="text-align:center;">↑</td><td></td></tr> <tr><td>4: 9.4</td><td style="text-align:center;">→</td><td></td></tr> <tr><td>5: 8.7</td><td style="text-align:center;">↖</td><td></td></tr> <tr><td>6: 10.7x</td><td style="text-align:center;">↑</td><td></td></tr> <tr><td>7: 9.8</td><td style="text-align:center;">↓</td><td></td></tr> <tr><td>8: 10.0</td><td style="text-align:center;">←</td><td></td></tr> <tr><td>9: 9.1</td><td style="text-align:center;">↙</td><td></td></tr> <tr><td>10: 9.0</td><td style="text-align:center;">↓</td><td></td></tr> <tr><td colspan="2">Series</td><td style="text-align:right;">91.6</td></tr> <tr><td colspan="2"></td><td style="text-align:right;">0.0</td></tr> </table>	1: 7.8	↑	Sight	2: 8.1	↗	<b>8</b>	3: 9.0	↑		4: 9.4	→		5: 8.7	↖		6: 10.7x	↑		7: 9.8	↓		8: 10.0	←		9: 9.1	↙		10: 9.0	↓		Series		91.6			0.0		<table style="width:100%; border-collapse: collapse;"> <tr><td style="width:50%;"></td><td style="width:5%;"></td><td style="width:45%;">11: 9.5</td></tr> <tr><td colspan="2">Series</td><td style="text-align:right;">9.5</td></tr> <tr><td colspan="2"></td><td style="text-align:right;">0.0</td></tr> </table>			11: 9.5	Series		9.5			0.0
1: 7.8	↑	Sight																																														
2: 8.1	↗	<b>8</b>																																														
3: 9.0	↑																																															
4: 9.4	→																																															
5: 8.7	↖																																															
6: 10.7x	↑																																															
7: 9.8	↓																																															
8: 10.0	←																																															
9: 9.1	↙																																															
10: 9.0	↓																																															
Series		91.6																																														
		0.0																																														
		11: 9.5																																														
Series		9.5																																														
		0.0																																														
	<table style="width:100%; border-collapse: collapse;"> <tr><td style="width:50%;">1: 8.6</td><td style="width:5%; text-align:center;">→</td><td style="width:45%;">1. Series 1 Shots</td></tr> <tr><td colspan="2">Series</td><td style="text-align:right;">8.6</td></tr> <tr><td colspan="2"></td><td style="text-align:right;">8.6</td></tr> </table>	1: 8.6	→	1. Series 1 Shots	Series		8.6			8.6		<table style="width:100%; border-collapse: collapse;"> <tr><td style="width:50%;"></td><td style="width:5%;"></td><td style="width:45%;">2: 7.3</td></tr> <tr><td colspan="2">Series</td><td style="text-align:right;">7.3</td></tr> <tr><td colspan="2"></td><td style="text-align:right;">15.9</td></tr> </table>			2: 7.3	Series		7.3			15.9																											
1: 8.6	→	1. Series 1 Shots																																														
Series		8.6																																														
		8.6																																														
		2: 7.3																																														
Series		7.3																																														
		15.9																																														
	<table style="width:100%; border-collapse: collapse;"> <tr><td style="width:50%;">3: 9.6</td><td style="width:5%; text-align:center;">↘</td><td style="width:45%;">1. Series 1 Shots</td></tr> <tr><td colspan="2">Series</td><td style="text-align:right;">9.6</td></tr> <tr><td colspan="2"></td><td style="text-align:right;">25.5</td></tr> </table>	3: 9.6	↘	1. Series 1 Shots	Series		9.6			25.5		<table style="width:100%; border-collapse: collapse;"> <tr><td style="width:50%;"></td><td style="width:5%;"></td><td style="width:45%;">4: 9.9</td></tr> <tr><td colspan="2">Series</td><td style="text-align:right;">9.9</td></tr> <tr><td colspan="2"></td><td style="text-align:right;">35.4</td></tr> </table>			4: 9.9	Series		9.9			35.4																											
3: 9.6	↘	1. Series 1 Shots																																														
Series		9.6																																														
		25.5																																														
		4: 9.9																																														
Series		9.9																																														
		35.4																																														
	<table style="width:100%; border-collapse: collapse;"> <tr><td style="width:50%;">5: 8.4</td><td style="width:5%; text-align:center;">↙</td><td style="width:45%;">1. Series 1 Shots</td></tr> <tr><td colspan="2">Series</td><td style="text-align:right;">8.4</td></tr> <tr><td colspan="2"></td><td style="text-align:right;">43.8</td></tr> </table>	5: 8.4	↙	1. Series 1 Shots	Series		8.4			43.8		<table style="width:100%; border-collapse: collapse;"> <tr><td style="width:50%;"></td><td style="width:5%;"></td><td style="width:45%;">6: 10.0</td></tr> <tr><td colspan="2">Series</td><td style="text-align:right;">10.0</td></tr> <tr><td colspan="2"></td><td style="text-align:right;">53.8</td></tr> </table>			6: 10.0	Series		10.0			53.8																											
5: 8.4	↙	1. Series 1 Shots																																														
Series		8.4																																														
		43.8																																														
		6: 10.0																																														
Series		10.0																																														
		53.8																																														
	<table style="width:100%; border-collapse: collapse;"> <tr><td style="width:50%;">7: 10.4</td><td style="width:5%; text-align:center;">→</td><td style="width:45%;">1. Series 1 Shots</td></tr> <tr><td colspan="2">Series</td><td style="text-align:right;">10.4</td></tr> <tr><td colspan="2"></td><td style="text-align:right;">64.2</td></tr> </table>	7: 10.4	→	1. Series 1 Shots	Series		10.4			64.2		<table style="width:100%; border-collapse: collapse;"> <tr><td style="width:50%;"></td><td style="width:5%;"></td><td style="width:45%;">8: 9.0</td></tr> <tr><td colspan="2">Series</td><td style="text-align:right;">9.0</td></tr> <tr><td colspan="2"></td><td style="text-align:right;">73.2</td></tr> </table>			8: 9.0	Series		9.0			73.2																											
7: 10.4	→	1. Series 1 Shots																																														
Series		10.4																																														
		64.2																																														
		8: 9.0																																														
Series		9.0																																														
		73.2																																														
	<table style="width:100%; border-collapse: collapse;"> <tr><td style="width:50%;">9: 10.0</td><td style="width:5%; text-align:center;">↖</td><td style="width:45%;">1. Series 1 Shots</td></tr> <tr><td colspan="2">Series</td><td style="text-align:right;">10.0</td></tr> <tr><td colspan="2"></td><td style="text-align:right;">83.2</td></tr> </table>	9: 10.0	↖	1. Series 1 Shots	Series		10.0			83.2		<table style="width:100%; border-collapse: collapse;"> <tr><td style="width:50%;"></td><td style="width:5%;"></td><td style="width:45%;">10: 8.9</td></tr> <tr><td colspan="2">Series</td><td style="text-align:right;">8.9</td></tr> <tr><td colspan="2"></td><td style="text-align:right;">92.1</td></tr> </table>			10: 8.9	Series		8.9			92.1																											
9: 10.0	↖	1. Series 1 Shots																																														
Series		10.0																																														
		83.2																																														
		10: 8.9																																														
Series		8.9																																														
		92.1																																														

<p>1. Series 1 Shots</p>	<p>11: 9.5 →</p> <hr/> <p>Series 9.5</p> <hr/> <p>101.6</p>	<p>1. Series 1 Shots</p>	<p>12: 10.0 ↘</p> <hr/> <p>Series 10.0</p> <hr/> <p>111.6</p>
<p>1. Series 1 Shots</p>	<p>13: 9.1 ↗</p> <hr/> <p>Series 9.1</p> <hr/> <p>120.7</p>	<p>1. Series 1 Shots</p>	<p>14: 9.4 ↖</p> <hr/> <p>Series 9.4</p> <hr/> <p>130.1</p>
<p>1. Series 1 Shots</p>	<p>15: 10.3 ↙</p> <hr/> <p>Series 10.3</p> <hr/> <p>140.4</p>	<p>1. Series 1 Shots</p>	<p>16: 10.6x ↗</p> <hr/> <p>Series 10.6</p> <hr/> <p>151.0</p>
<p>1. Series 1 Shots</p>	<p>17: 10.1 ↖</p> <hr/> <p>Series 10.1</p> <hr/> <p>161.1</p>	<p>1. Series 1 Shots</p>	<p>18: 10.3 ↘</p> <hr/> <p>Series 10.3</p> <hr/> <p>171.4</p>
<p>1. Series 1 Shots</p>	<p>19: 9.5 ↘</p> <hr/> <p>Series 9.5</p> <hr/> <p>180.9</p>	<p>1. Series 1 Shots</p>	<p>20: 10.2 ↙</p> <hr/> <p>Series 10.2</p> <hr/> <p>191.1</p>